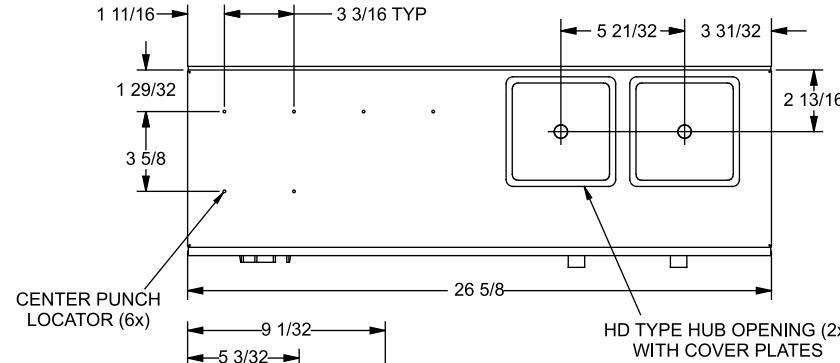


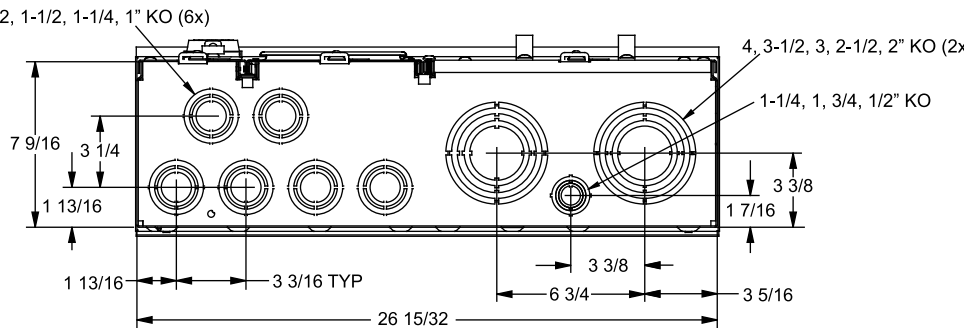
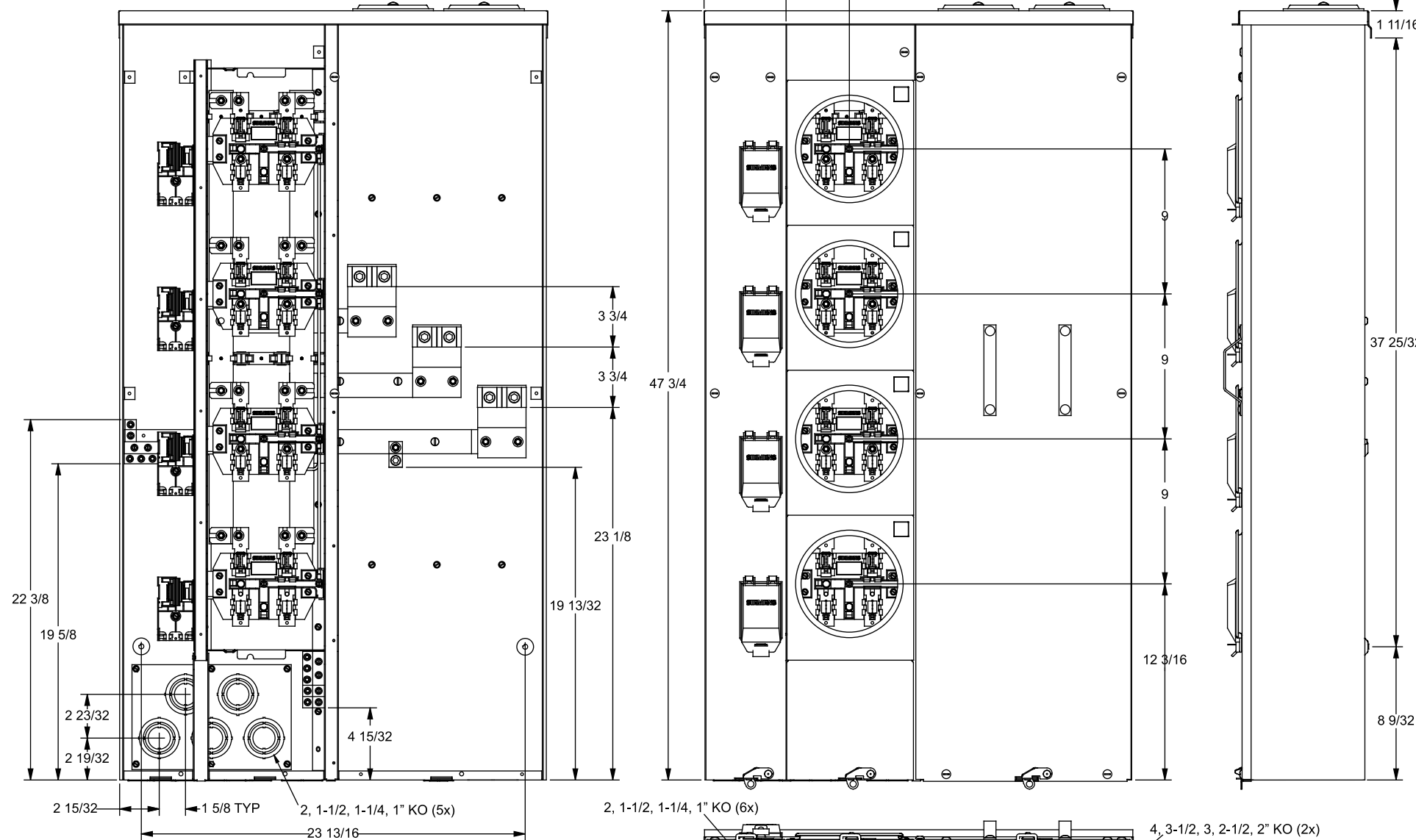
Catalog Numbers, Features and Ratings

Catalog Number	Max. Bus Rating	Max. Meter Socket Rating	AIC Rating Max.	Max. Branch Rating	Meter Positions	Meter Socket Cover	5th Jaw Installed	Horn Bypass Installed	Flush Rail Kit Cat. No.
WEP5411	500A	125A Cont.	65,000	125A	4	Ring Type	No	N/A	WPFK12

- 120/240 V~, 1 PHASE, 3 WIRE
208Y/120 V~, 1 PHASE, 3 WIRE (5TH JAW MAY BE REQUIRED)
- SUITABLE ONLY FOR USE AS SERVICE EQUIPMENT.
- TYPE N3R OUTDOOR ENCLOSURE
MATERIAL/FINISH: ANSI 61 GRAY BAKED POWDER COAT PAINT OVER G-90 GALVANIZED, PHOSPHATIZED STEEL
- MEETS EUSERC DWG. No. 342 WITH WPSK600 KIT INSTALLED



VIEW SHOWN WITH COVERS REMOVED



Terminal Wire Sizes and Torques

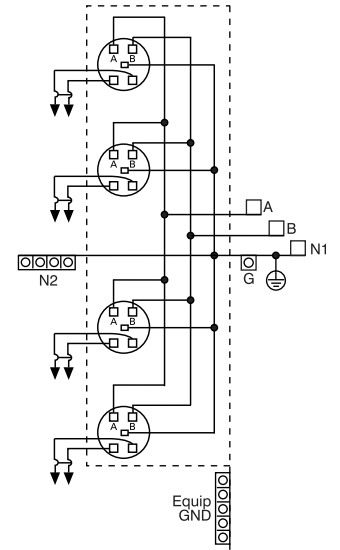
(refer to schematic)

Terminal	Wire Size	Torque
A, B, N1	(2) 600 kcmil-#2 AWG	375 LB-IN
G	300 kcmil - #4 AWG	275 LB-IN
N2/Equip GND	#2/0 - 4 AWG	110 LB-IN
Alt. Lug Kit WPLK2600	(3) 300 kcmil-#4 AWG	275 LB-IN

NEMA Stud Kit ^① WPSK600 (for overhead or underground feed)					
NEMA Lug ^②	MFG	Wire Range	Type	No. Wires per phase	Torque (lb.-in.)
LK12750N2	Siemens	750-300 kcmil	Mechanical	2	500
LK12500N2E	Siemens	#2-500 kcmil	Mechanical	2	375
2ACL-500	ILSCO	500 kcmil	Compression	2	N/A ^③
2ACL-750	ILSCO	750 kcmil	Compression	2	N/A ^③

- Kit contains lug mounting pads with NEMA stud pattern for use with mechanical and compression lugs. Order lug kits from chart above.
- Order one mechanical lug kit for mains and neutral. Contact lug manufacturer for compression lug quantities supplied for each kit.
- See lug manufacturer's instruction sheet supplied with the connector for tool, die, and number of crimps.

Schematic



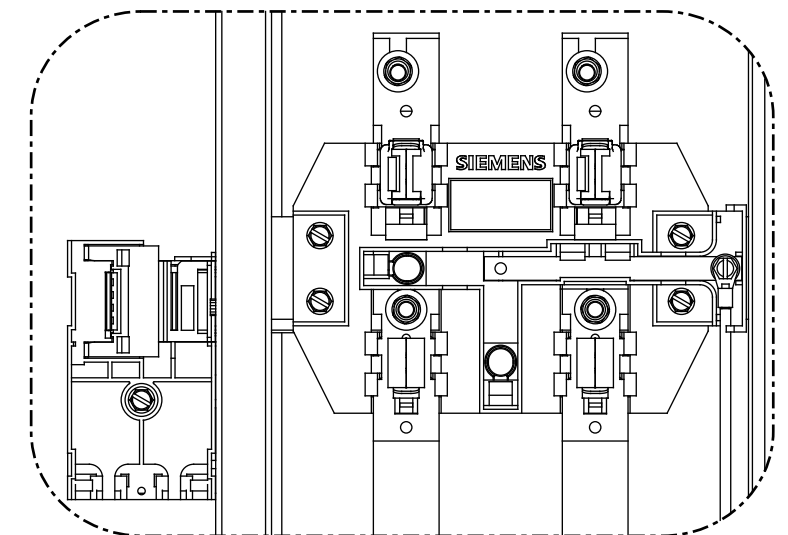
Accessories and Replacement Parts

Hubs

Use HD Type Hubs if required	Trade Size (in)	Catalog No.
	2"	EC56854
	2-1/2"	EC56855
	3"	EC56856
	3-1/2"	EC56857
	4"	EC56858
	Closure Plate	EC56933S

Description	Catalog No.
Horn By-Pass	ECMFH
5th Jaw	ECMF5
5th Jaw, Insulated	ECMF5i
Meter Cover Plate, Ringless	ECCP3
Meter Cover Plate, Ring Type	ECCP
Meter Socket	ECMFS
125A Breaker Mounting	ECMFBM1
225A Breaker Mounting	ECMFBM2
Meter Cover, Ring Type	ECMFMC
Meter Cover, Ringless	ECMFMCr
Load Cover Screws	ECMFCS
Bottom Pull Cover	ECMFC
Quick Phase Strap	ECMFPS
Breaker Cover Repl.	ECBC
Ringless Conversion Kit	ECMRLCK
QP Breaker Retainer	ECMBR2

Enlarged Socket Detail



SIEMENS
Siemens Industry, Inc.

Uni-PAK Metering

Description: **WEP Series**
500A Bus, 4 Position, 125A Meter

KAM 10/21/11 DO NOT SCALE DRAWING Dwg No: **WEP5411**