

## Catalog Numbers

Catalog No.	Amperage Rating Max	Max Interrupting Rating
<b>1 PHASE, 3 WIRE, 120/240V AC MAX</b>		
WB12000T	2000	65,000
WB12000TU	2000	100,000
<b>3 PHASE, 4 WIRE, 240V AC MAX</b>		
WB32000T	2000	65,000
WB32000TU	2000	100,000

- FOR OVERHEAD SERVICE ONLY
- TYPE 3R OUTDOOR ENCLOSURE
- MAIN BUS RATING: 1200A MAX.  
(1200A MAX FEED PER SIDE)

## Additional Modules, Accessories, and Lug Kits

FOR USE WITH:		
Module Description	Siemens Series#	Murray Series#
Main Breakers	(W)MC, WB, WEB	DB W
Switches	WMP, WMS, WS, WES	DPT W, DT W
Tap/Terminal Boxes	WMTB, WTB, WET	DTB_W
Meter Module	WMM, WxMM, WMT, WML, WMK	DG_W, DC_W, DL_W
Extension Box	WMEX, WSP	DS
Bussed Elbow	(W)BE	DL

Connect Modules Using:	Catalog Number / Torque
QuickConnect	QC1 (1ph) or QC4 (3ph) 400-440 lb-in (35-36 ft.-lb.) Torque
Single Bolt Joint	SBJ1 (1ph) or SBJ4 (3ph) 400-480 lb-in (35-40 ft.-lb.) Torque

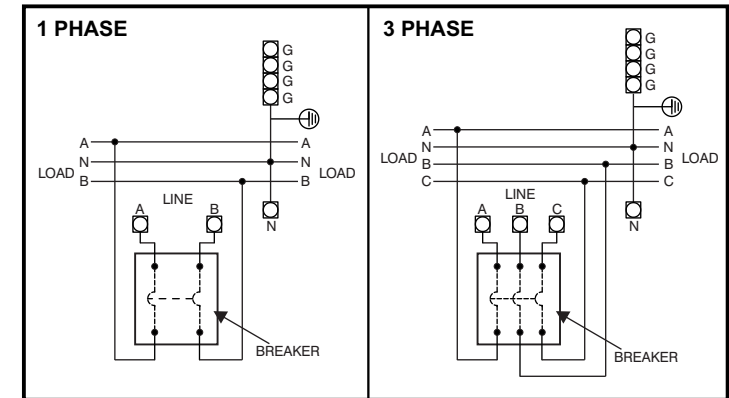
Siemens Accessories	Catalog Number
Hub Cover Plate	EC56933S
Type HD Hub 2"	EC56854
Type HD Hub 2-1/2"	EC56855
Type HD Hub 3"	EC56856
Type HD Hub 3-1/2"	EC56857
Type HD Hub 4"	EC56858

1 Phase: Lugs for Phase and Neutral Connections (not supplied)						
NEMA Lug <sup>①</sup>	MFG	Wire Range	Type	No. Wires per phase	Torque (lb.-in.)	
LK16750N2	Siemens	1/0-750 kcmil	Mechanical	6	500	
2ACL-750	ILSCO	750 kcmil	Compression	6	NA <sup>②</sup>	

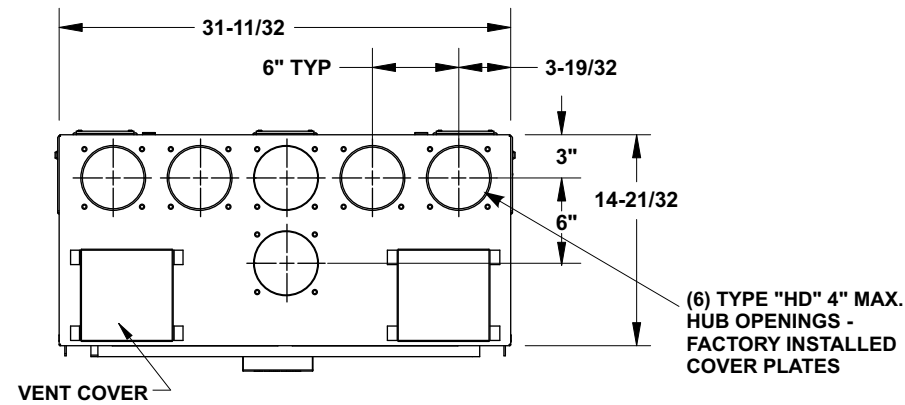
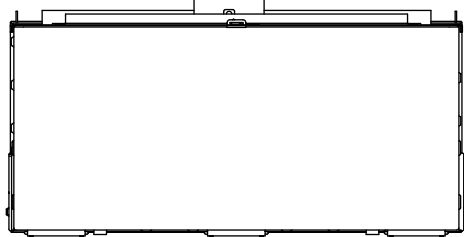
3 Phase: Lugs for Phase and Neutral Connections (not supplied)						
NEMA Lug <sup>①</sup>	MFG	Wire Range	Type	No. Wires per phase	Torque (lb.-in.)	
LK36750N2	Siemens	1/0-750 kcmil	Mechanical	6	500	
2ACL-750	ILSCO	750 kcmil	Compression	6	NA <sup>②</sup>	

- ① Order one mechanical lug kit for main breaker and neutral conversions. Contact lug manufacturer for compression lug quantities supplied for each kit.  
② See lug manufacturer's instruction sheet supplied with the connector for tool, die, and number of crimps.

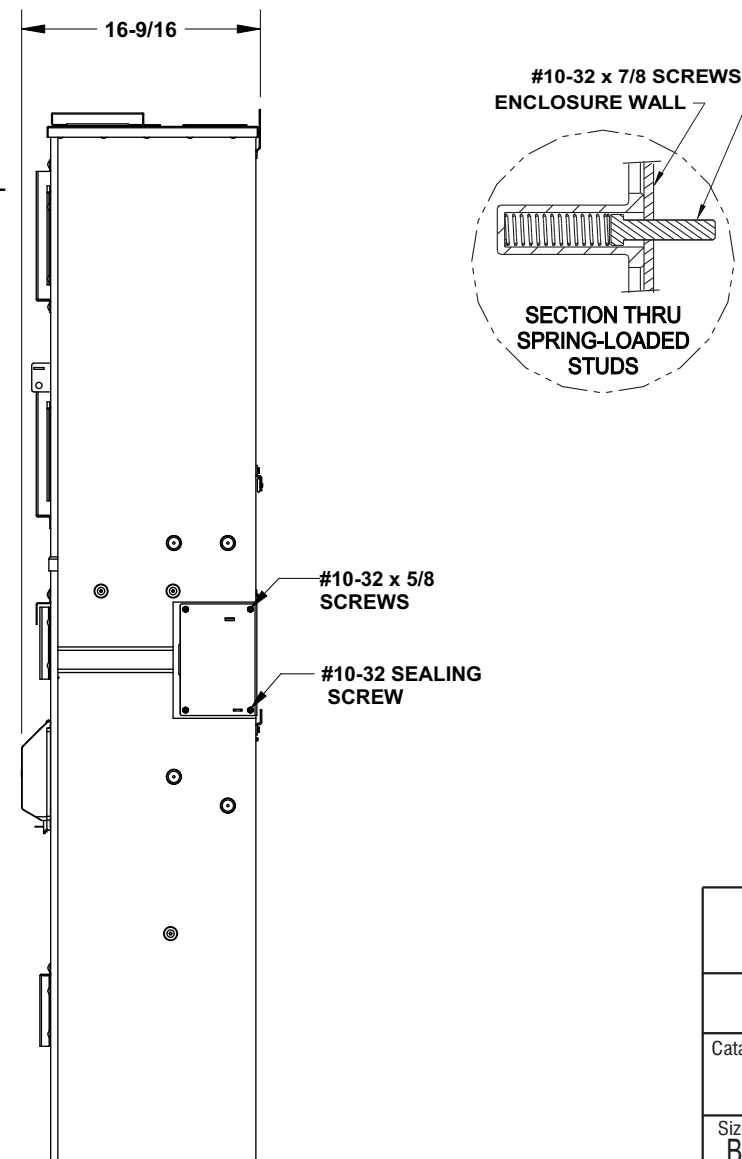
## Schematics



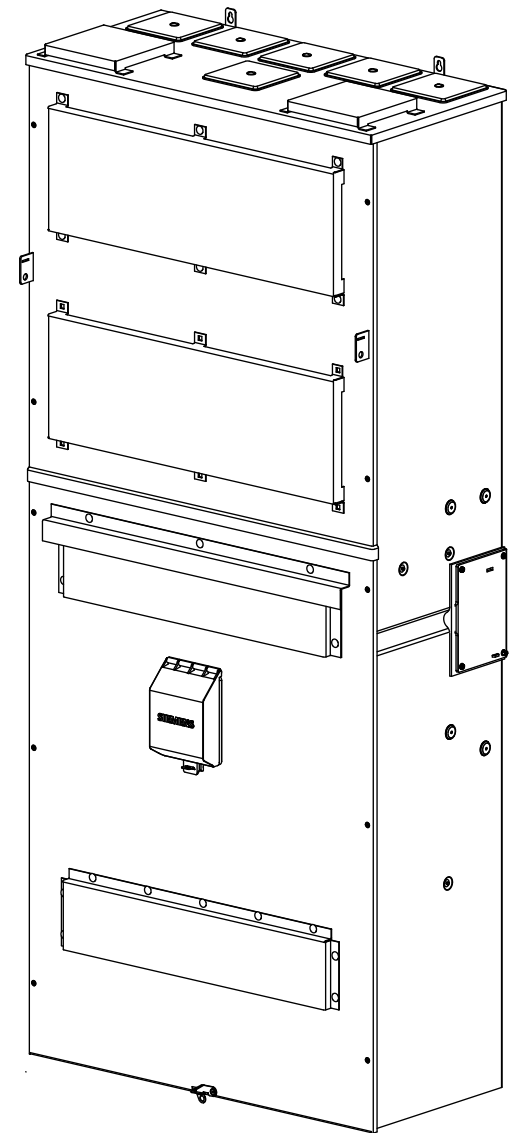
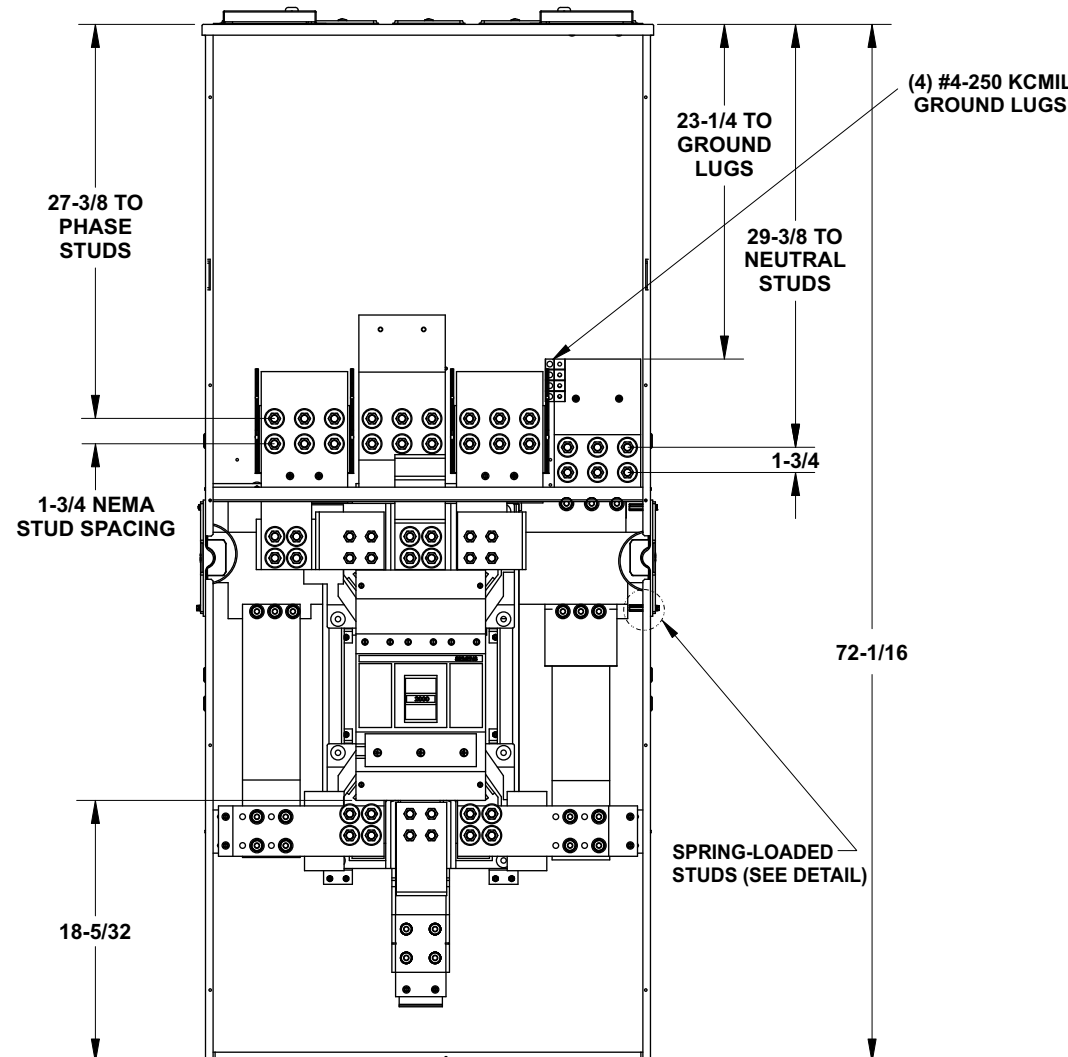
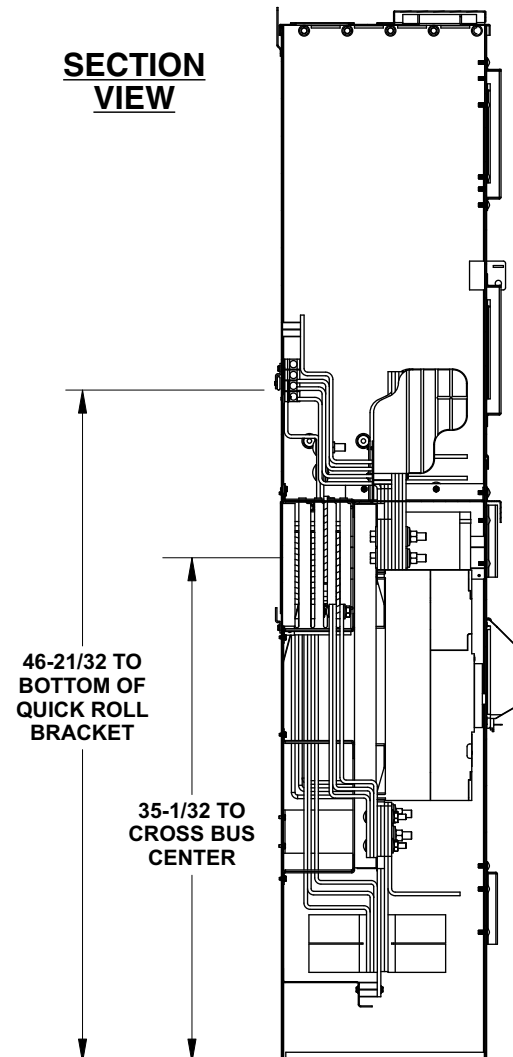
### BOTTOM VIEW



### WB32000T (3 Phase) SHOWN FRONT VIEW SHOWN WITHOUT COVER



### SECTION VIEW



© 2010 Copyright Siemens Industry, Inc.

Siemens Industry, Inc.  
Building Technologies Division

### PowerMod™ Breaker Mains

Catalog Numbers: **WB12000T thru WB32000TU**  
**Top Feed Service Entrance Breaker Mains**

Size B Dwg. No. **2000A\_T\_SE\_Brkr\_Mains**

Dwn KAM Date 1/27/10 DO NOT SCALE DRAWING SHEET 1 OF 1