

Catalog Numbers

Catalog No.	Amperage Rating Max	Max Interrupting Rating
1 PHASE, 3 WIRE, 120/240V AC MAX		
WB11400B	1400	65,000
WB11400BU	1400	100,000
WB11600B	1600	65,000
WB11600BU	1600	100,000
3 PHASE, 4 WIRE, 240V AC MAX		
WB31400B	1400	65,000
WB31400BU	1400	100,000
WB31600B	1600	65,000
WB31600BU	1600	100,000

- FOR UNDERGROUND SERVICE ONLY
- TYPE 3R OUTDOOR ENCLOSURE
- MAIN BUS RATING: 1200A MAX.
(1200A MAX FEED PER SIDE)

Additional Modules, Accessories, and Lug Kits

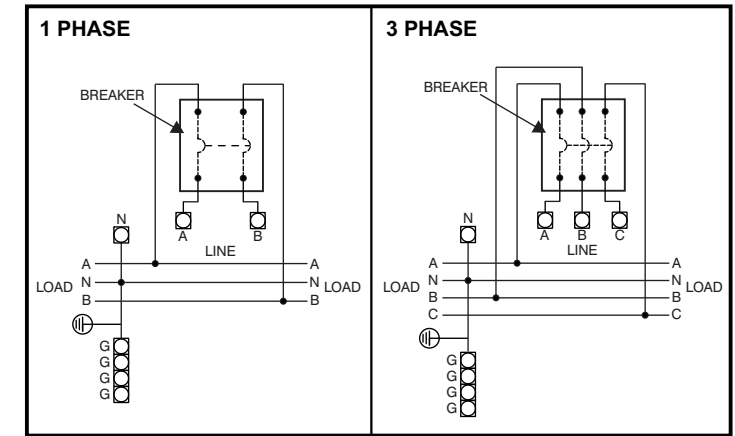
FOR USE WITH:		
Module Description	Siemens Series#	Murray Series#
Main Breakers	(W)MC, WB, WEB	DB W
Switches	WMP, WMS, WS, WES	DPT W, DT W
Tap/Terminal Boxes	WMTB, WTB, WET	DTB_W
Meter Module	WMM, WxMM, WMT, WML, WMK	DG_W, DC_W, DL_W
Extension Box	WMEX, WSP	DS
Bussed Elbow	(W)BE	DL

Connect Modules Using:		Catalog Number / Torque
QuickConnect	QC1 (1ph) or QC4 (3ph)	400-440 lb-in (35-36 ft.-lb.) Torque
Single Bolt Joint	SBJ1 (1ph) or SBJ4 (3ph)	400-480 lb-in (35-40 ft.-lb.) Torque

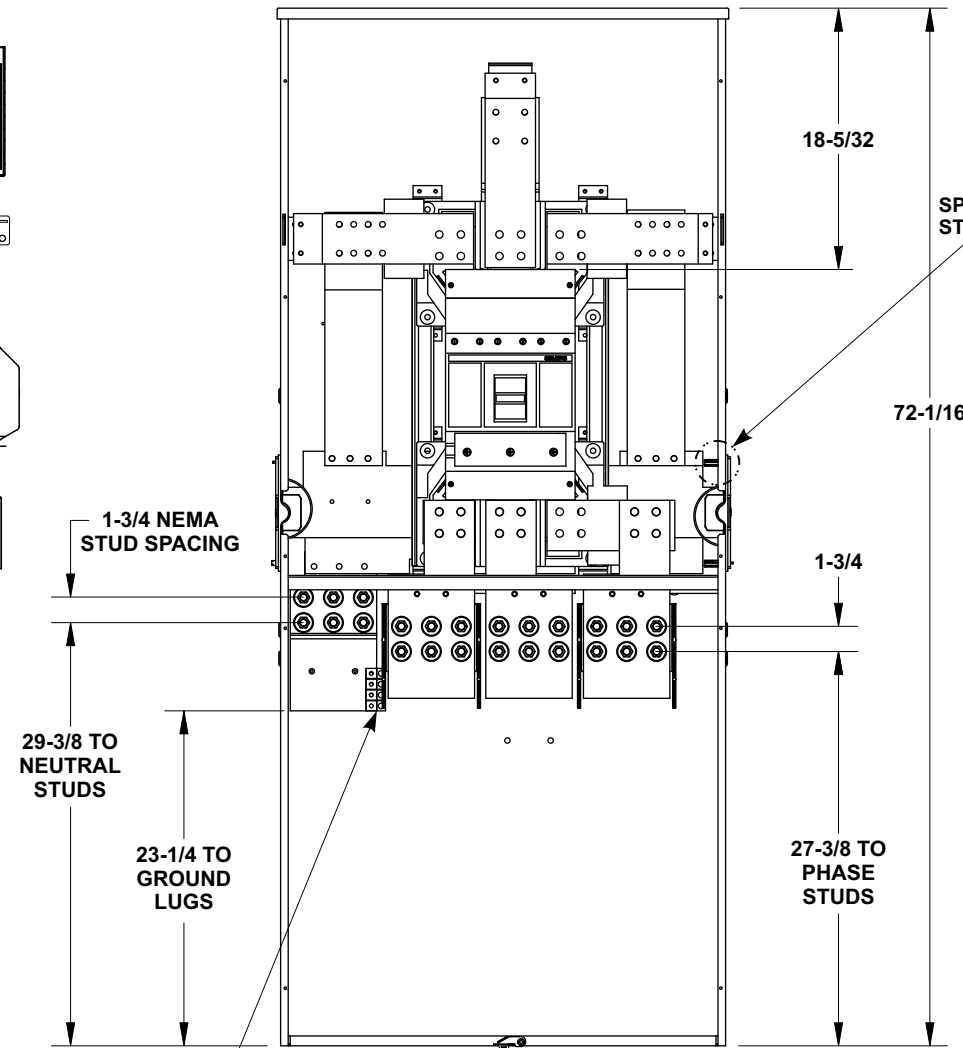
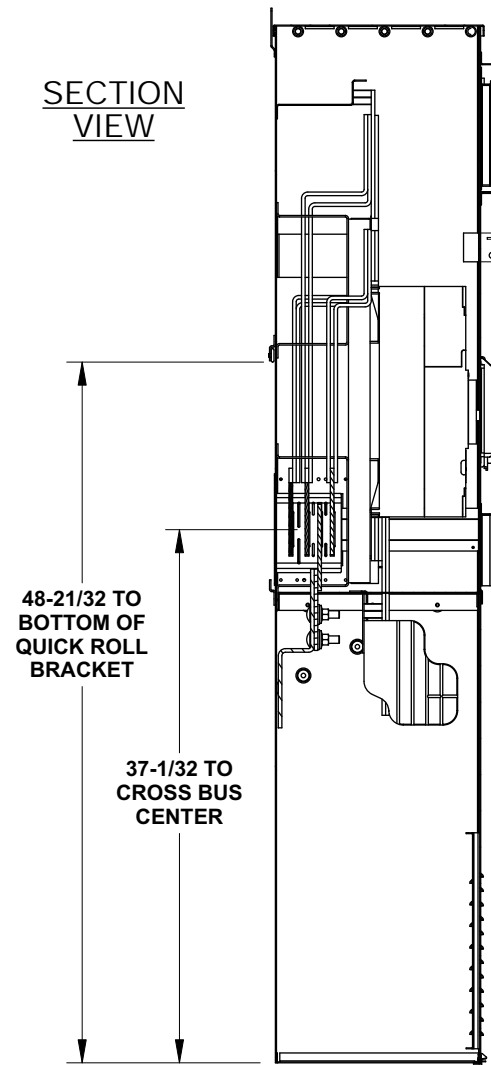
- ① Order one mechanical lug kit for main breaker and neutral conversions. Contact lug manufacturer for compression lug quantities supplied for each kit.
- ② Kit contains more than one lug type. Reference kit instruction sheet for the actual torque value for each lug type.
- ③ See lug manufacturer's instruction sheet supplied with the connector for tool, die, and number of crimps.

1 Phase: Lugs for Phase and Neutral Connections (not supplied)						
NEMA Lug ^①	MFG	Wire Range	Type	No. Wires per phase	Torque (lb.-in.)	
LK15600N2	Siemens	1/0-600 kcmil	Mechanical	1	375 ^②	
LK15750N2	Siemens	300-750 kcmil	Mechanical	4	500 ^②	
2ACL-600	ILSCO	500 kcmil	Compression	5	NA ^③	
2ACL-750	ILSCO	750 kcmil	Compression	5	NA ^③	
3 Phase: Lugs for Phase and Neutral Connections (not supplied)						
NEMA Lug ^①	MFG	Wire Range	Type	No. Wires per phase	Torque (lb.-in.)	
LK35600N2	Siemens	1/0-600 kcmil	Mechanical	1	375 ^②	
LK35750N2	Siemens	300-750 kcmil	Mechanical	4	500 ^②	
2ACL-600	ILSCO	500 kcmil	Compression	5	NA ^③	
2ACL-750	ILSCO	750 kcmil	Compression	5	NA ^③	

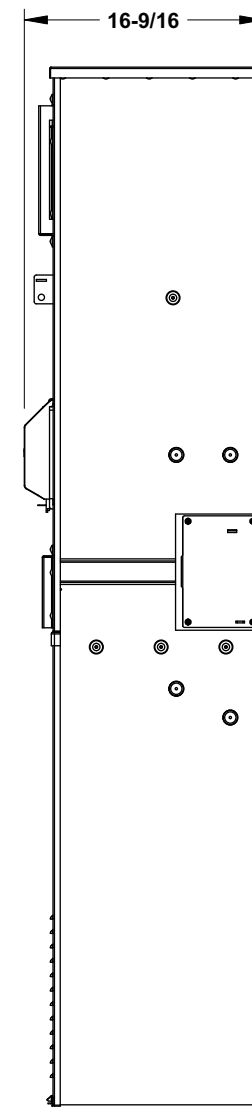
Schematics



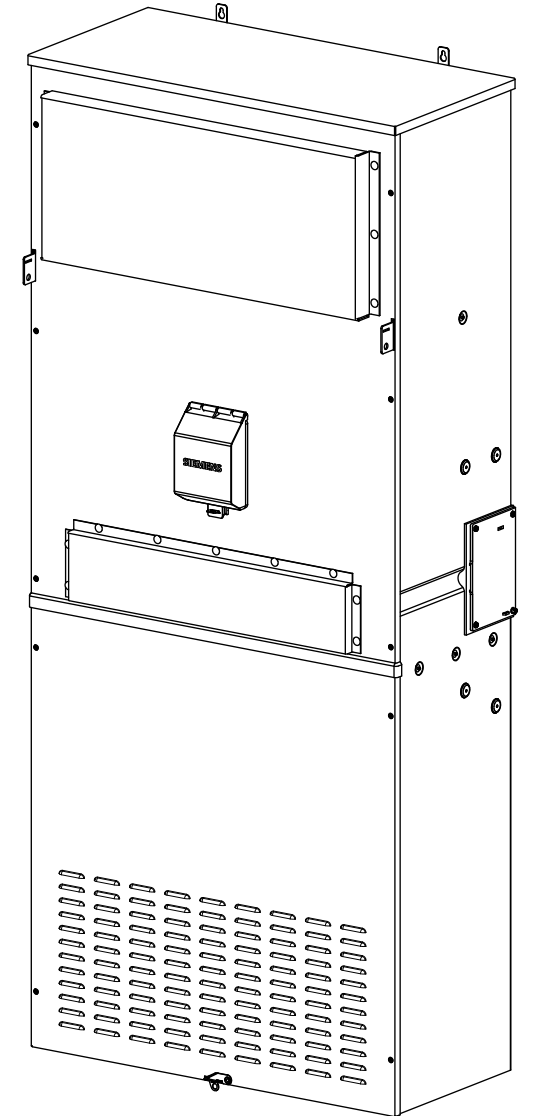
SECTION VIEW



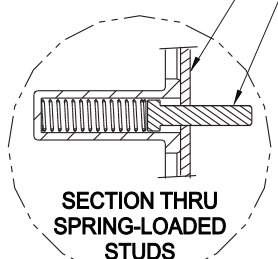
SPRING-LOADED STUDS (SEE DETAIL)



WB31600B (3 Phase) SHOWN FRONT VIEW SHOWN WITHOUT COVER

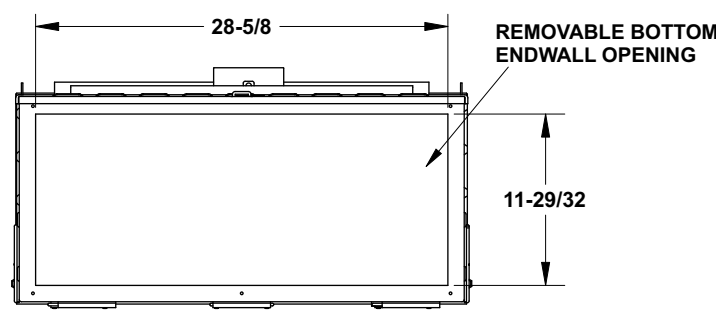


#10-32 x 7/8 SCREWS ENCLOSURE WALL



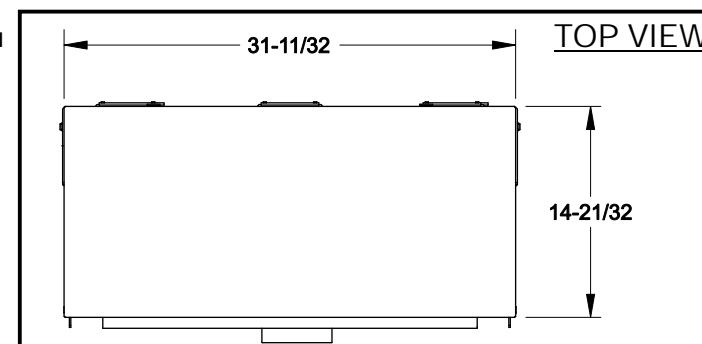
SECTION THRU SPRING-LOADED STUDS

(4) #4-250 KCMIL GROUND LUGS



REMOVABLE BOTTOM ENDWALL OPENING

11-29/32



TOP VIEW

14-21/32

© 2010 Copyright Siemens Industry, Inc.

Siemens Industry, Inc.
Building Technologies Division

PowerMod™ Breaker Mains

Catalog Numbers: WB11400B thru WB31600BU
Service Entrance Breaker Mains

Size B Dwg. No. 1400-1600A_B_SE_Brkr_Mains
Dwn KAM Date 1/27/10 DO NOT SCALE DRAWING SHEET 1 OF 1