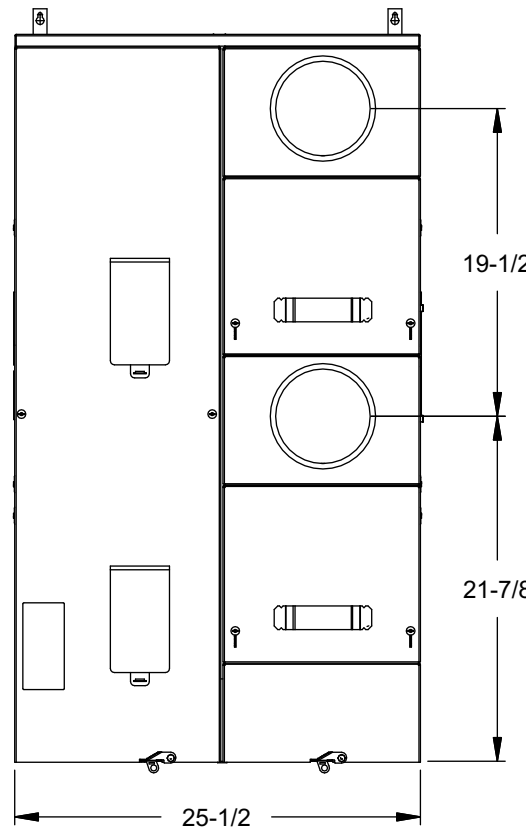
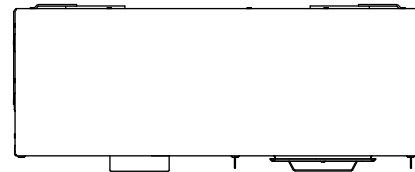


Catalog Numbers, Ratings and Features

Catalog No.	Max. Branch Rating	Main Bus, 1200A Max.	Breaker Type	Meter Socket Cover	Meter Socket Type/ Continuous Rating	No. of Jaws	Bypass Type	Neutral Lug (Qty) and Wire Range	Equip Ground Lug (Qty) and Wire Range
WMT23225J	225A	3 Phase	3 Pole QJ/MQJ	Ring	TBB-7 / 200A	7	Test Block	(2) #4-300 kcmil	(3) #4-2/0 AWG

- TYPE 3R OUTDOOR ENCLOSURE
- 208Y/120 VOLTS AC, 3 PHASE, 4 WIRE
- 240/120 VOLTS AC, 3 PHASE, 4 WIRE DELTA
- 3 PHASE INPUT, 3 PHASE OUTPUT
- MOUNTING RAILS AND ADJUSTABLE BRACKETS FOR SECURE MOUNTING
- COMPLIES WITH EUSERC DWG. No. 312 AND 353



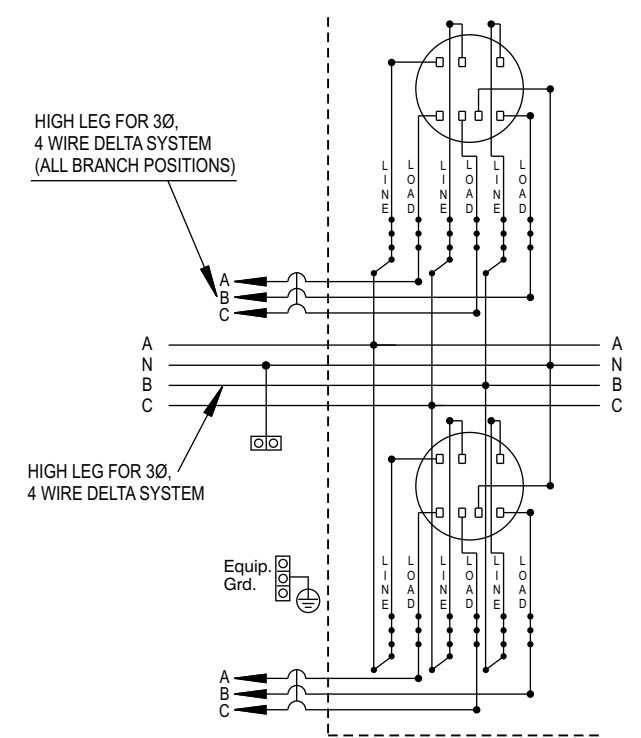
2, 2-1/2, 3, 3-1/2, 4 KO'S BOTH SIDES

Additional Modules and Accessories

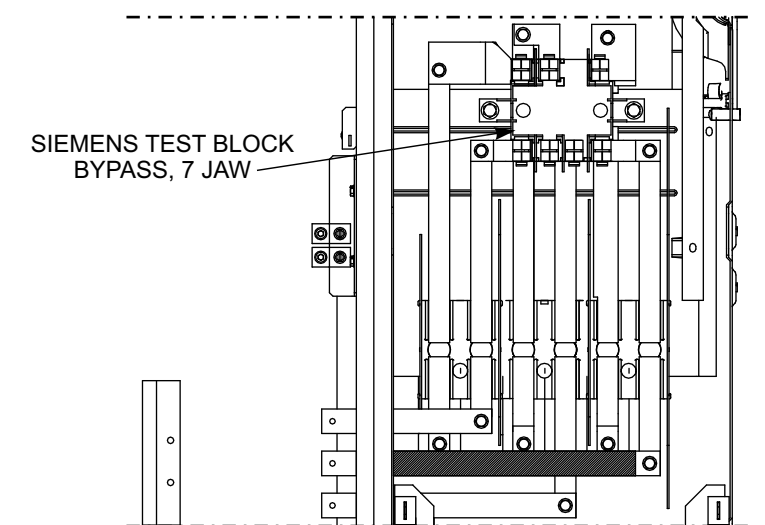
Module Description	Siemens Series#	Murray Series#
Main Breakers	(W)MC, WB, WEB	DB W
Switches	WMP, WMS, WS, WES	DPT W, DT W
Tap/Terminal Boxes	WMTB, WTB, WET	DTB_W
Meter Module	WMM, WxMM, WMT, WML, WMK	DG_W, DC_W, DL_W
Extension Box	WMEX, WSP	DS
Bussed Elbow	(W)BE	DL

Connect Modules Using:	Catalog Number / Torque
QuickConnect	QC1 (1ph) or QC4 (3ph) 400-440 lb-in (35-36 ft.-lb.) Torque
Single Bolt Joint	SBJ1 (1ph) or SBJ4 (3ph) 400-480 lb-in (35-40 ft.-lb.) Torque

Schematic



Enlarged Socket Detail



© 2010 Copyright Siemens Industry, Inc.

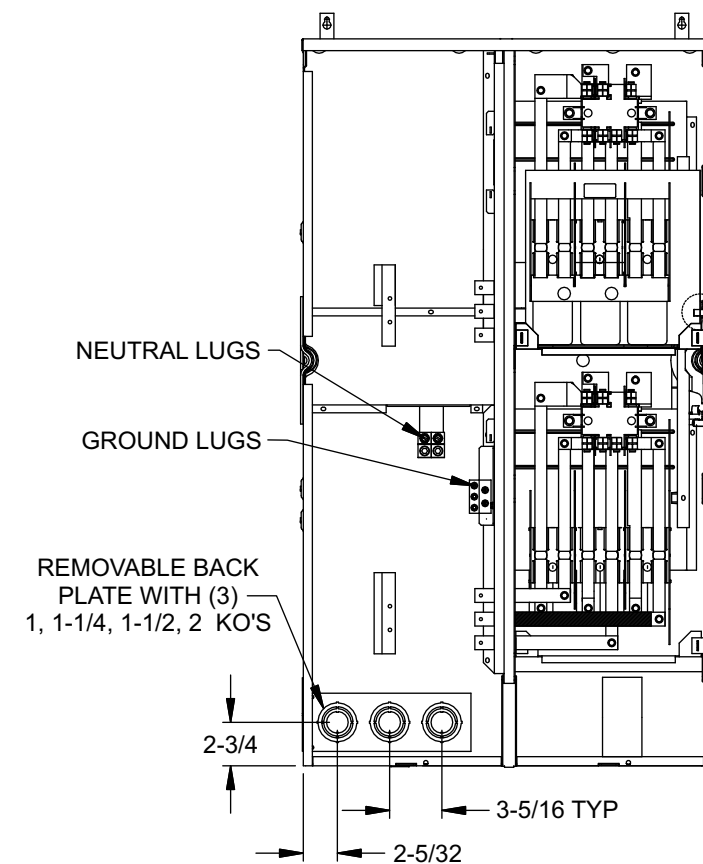
Siemens Industry, Inc.
Building Technologies Division

PowerMod™ Modular Metering

Description: **Test Block Bypass 2 Position 225A Tenant 3in-3out Commercial Metering Module**

Size B Dwg. No. **WMT23225J**

Dwn KAM Date 1/27/10 DO NOT SCALE DRAWING SHEET 1 OF 1



SPRING-LOADED STUDS
SEE DETAIL

#10-32 x 7/8 SCREWS
ENCLOSURE WALL

