

Catalog Numbers, Ratings and Features

| Catalog No. | Max. Branch Rating | Main Bus, 1200A Max. | Breaker Type | Meter Socket Cover | Meter Socket Type/ Continuous Rating | No. of Jaws | Bypass Type | Neutral Lug (Qty) and Wire Range | Equip Ground Lug (Qty) and Wire Range |
|-------------|--------------------|----------------------|--------------|--------------------|--------------------------------------|-------------|-------------|----------------------------------|---------------------------------------|
| WMT31225 | 225A | 1 Phase | 2 Pole QS | Ring | TBB-4 / 200A | 4 | Test Block | (3) #4-300 kcmil | (4) #4-2/0 AWG |

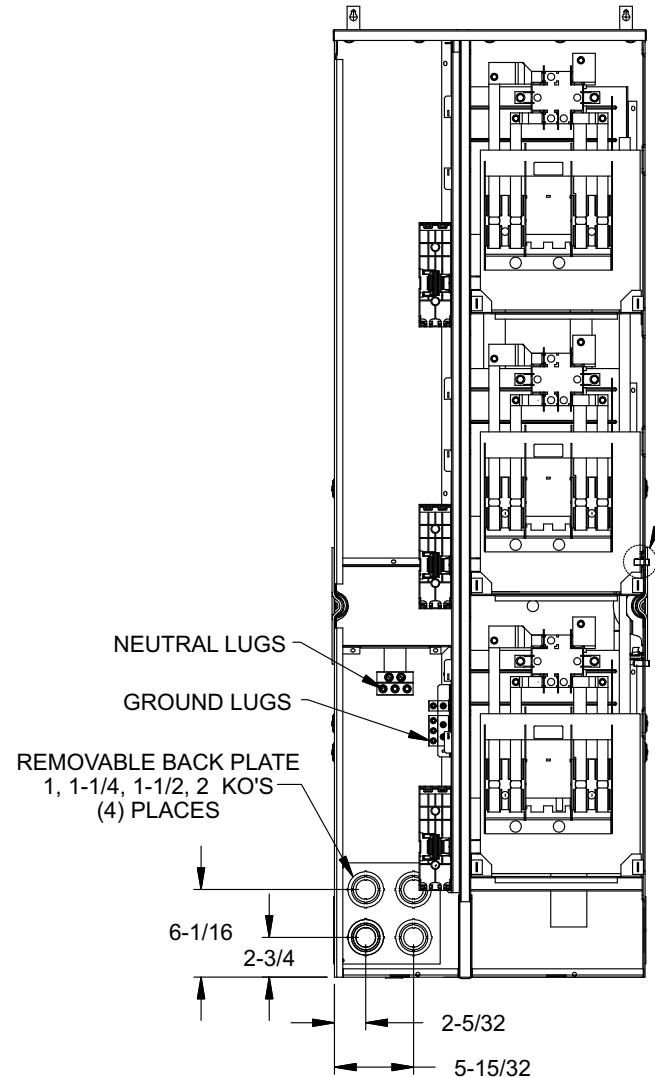
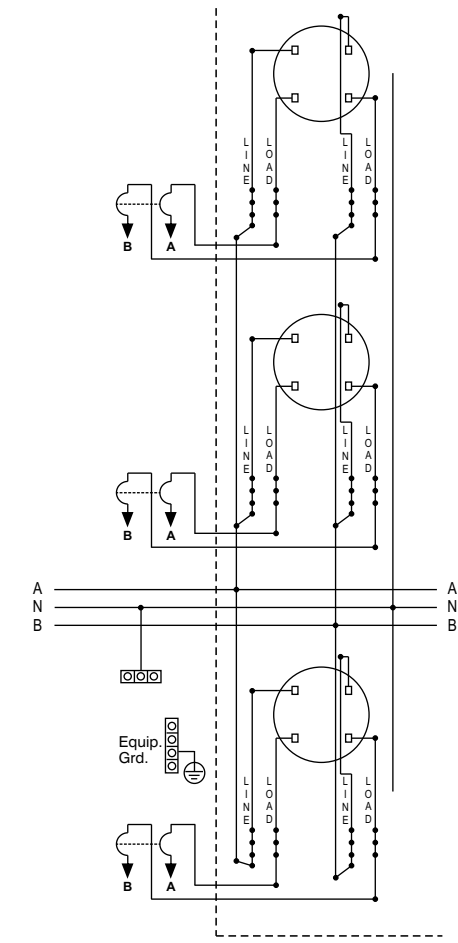
- TYPE 3R OUTDOOR ENCLOSURE
- 120/240 VOLTS AC, 1 PHASE, 3 WIRE
- 1 PHASE INPUT, 1 PHASE OUTPUT
- MOUNTING RAILS AND ADJUSTABLE BRACKETS FOR SECURE MOUNTING
- COMPLIES WITH EUSERC DWG. No. 312 AND 353

Additional Modules and Accessories

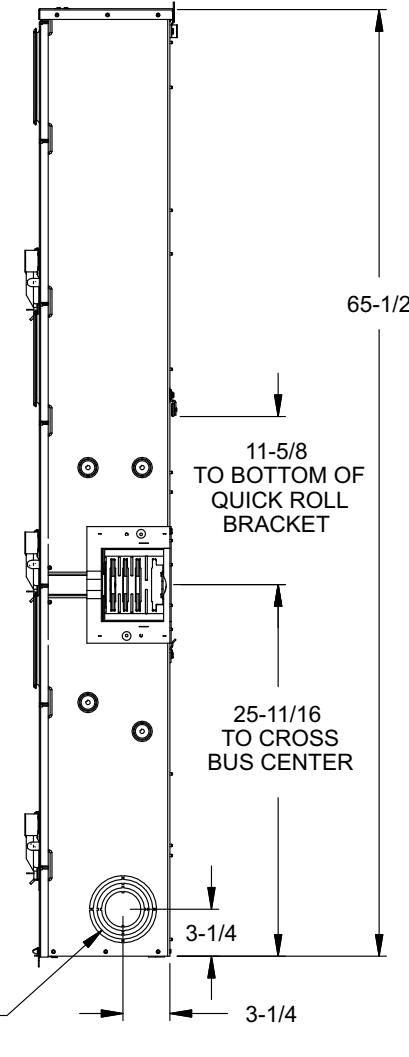
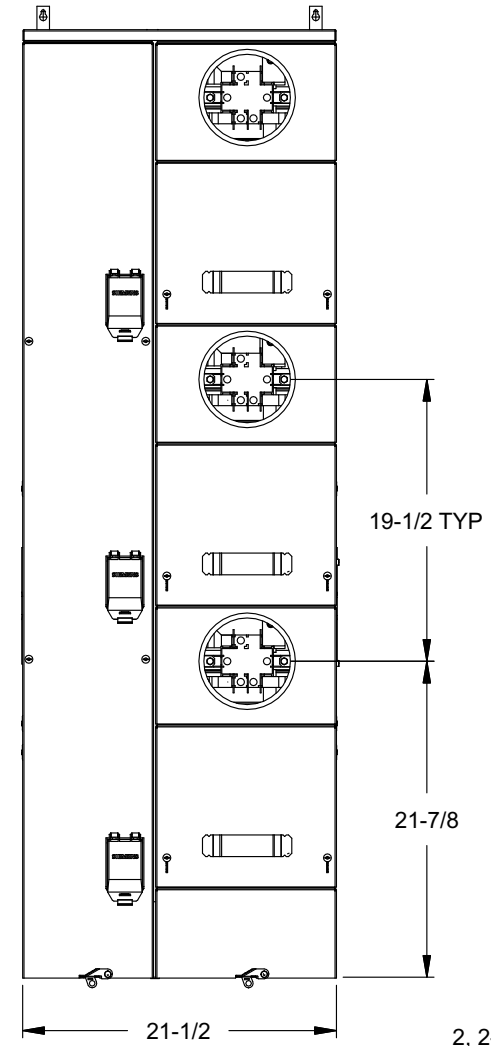
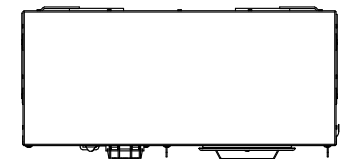
| FOR USE WITH: | Siemens Series# | Murray Series# |
|--------------------|--------------------------|------------------|
| Main Breakers | (W)MC, WB, WEB | DB W |
| Switches | WMP, WMS, WS, WES | DPT W, DT W |
| Tap/Terminal Boxes | WMTB, WTB, WET | DTB_W |
| Meter Module | WMM, WxMM, WMT, WML, WMK | DG_W, DC_W, DL_W |
| Extension Box | WMEX, WSP | DS |
| Bussed Elbow | (W)BE | DL |

| Connect Modules Using: | Catalog Number / Torque |
|------------------------|--|
| QuickConnect | QC1 (1ph) or QC4 (3ph) 400-440 lb-in (35-36 ft.-lb.) Torque |
| Single Bolt Joint | SBJ1 (1ph) or SBJ4 (3ph) 400-480 lb-in (35-40 ft.-lb.) Torque |

Schematic

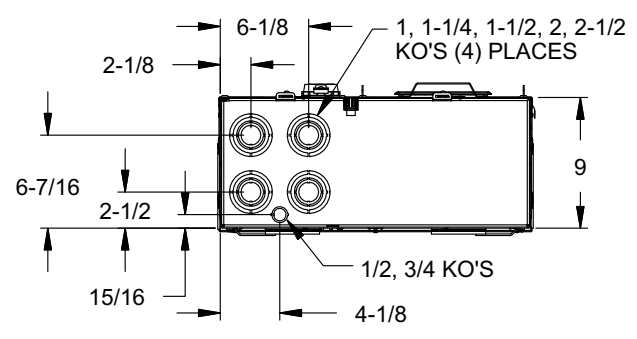
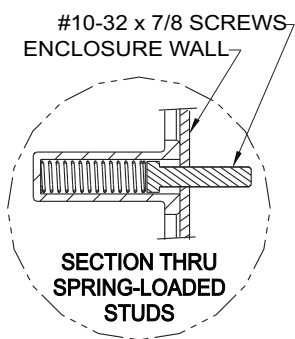
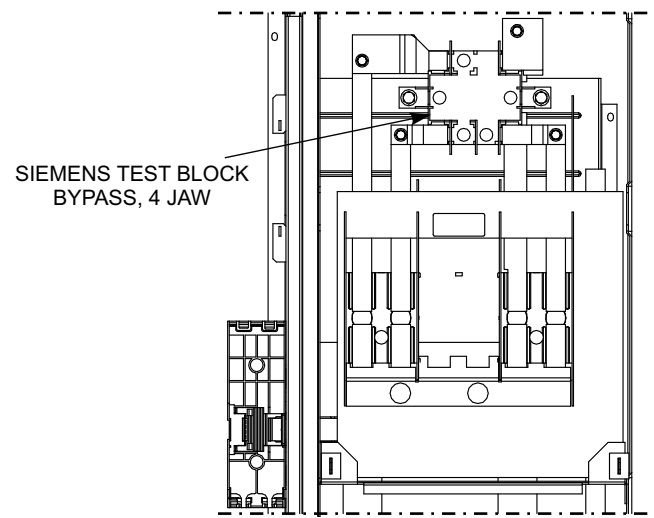


SPRING-LOADED STUDS
SEE DETAIL



2, 2-1/2, 3, 3-1/2, 4
KO'S BOTH SIDES

Enlarged Socket Detail



© 2010 Copyright Siemens Industry, Inc.

Siemens Industry, Inc.
Building Technologies Division

PowerMod™ Modular Metering

Description: **Test Block Bypass 3 Position 225A Tenant 1in-1out Commercial Metering Module**

Size B 7 Dwg. No. **WMT31225**