


Installation Instructions



⚠ DANGER

Hazardous Voltage.
Will cause death or
severe injury.

**Turn power off supplying
device before installing.**

⚠ SAFETY INSTRUCTION

Note: This instruction sheet outlines the recommended installation procedure.

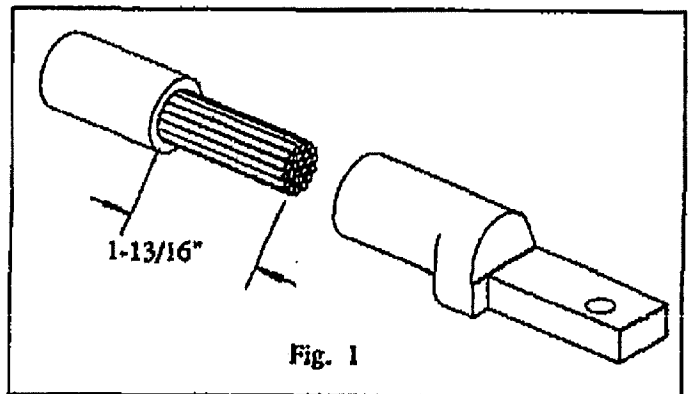
The terminals have been tested per UL-486 B with standard stranded cable.

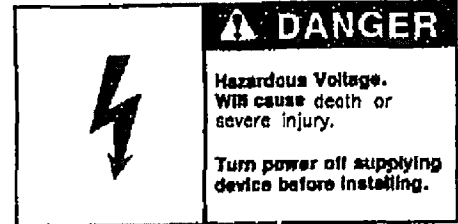
The installer should verify that adequate wire bending space is still provided for the installation, in accordance with applicable codes, as the use of these lugs may result in reduced wire bending space.

1. Turn off power supplying cables and device before installing compression lugs to cable and/or the device.
2. Install circuit breaker according to instructions provided with circuit breaker. If previously installed proceed with step 3.
3. Remove terminal cover and any existing wire connectors from circuit breaker. (Fig. 4)
4. Pre-form cables to final configuration and strip insulation 1-13/16" on each conductor (Figure 1). Use of an appropriate insulation stripping tool is recommended to avoid damaging the conductor.

Types: ND6, HND6, CND6, SND6, SHND6, SCND6

KIT CAT. NO.	CONTENTS
CCN1200 Series A for use with 1200 Amp. neutral or single pole breaker.	(2) LH Crimp Lugs (2) RH Crimp Lugs (2) Spacers (2) Screws (2) Conical Washers
CCN1200K2 for use with 1200 Amp. 2 pole breaker.	(4) LH Crimp Lugs (4) RH Crimp Lugs (4) Spacers (4) Screws (4) Conical Washers (1) Wire Connector Shield
CCN1200K3 for use with 1200 Amp. 3 pole breaker.	(6) LH Crimp Lugs (6) RH Crimp Lugs (6) Spacers (6) Screws (6) Conical Washers (1) Wire Connector Shield





Installation Instructions

5. Clean aluminum conductor surfaces thoroughly using a wire brush or other suitable means, to remove oxides and other contaminants from the conductor. NOTE: Copper wires and the compression connector should **NOT** be abrasively cleaned.
6. Remove cap from compression connector and insert cable fully into barrel of connector immediately after cleaning conductors.
7. Insure that connector tang(s) are in their proper orientation prior to crimping to avoid twisting of cables during installation. See Figure 3 for multiple connector positions.
8. Select an appropriate tool and die combinatin from Table 2 and make the required number of crimps within the boundaries stamped on the connector barrel. Refer to Figure 2 for sequence of multiple crimps.

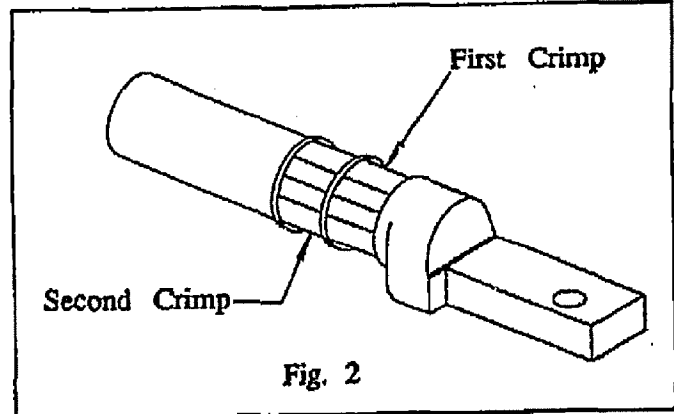



Fig. 2

9. Remove any inhibitor compound expelled during the crimping operation from the connector body and the cable insulation.
10. Position connector tang against the circuit breaker terminal and secure with 3/8-16 X 1-3/4" socket head cap screw and conical spring washer. Conical spring washer is to be installed with convex side of washer toward underside of screw head (Figure 3). Torque screw to 228 inch-pounds.

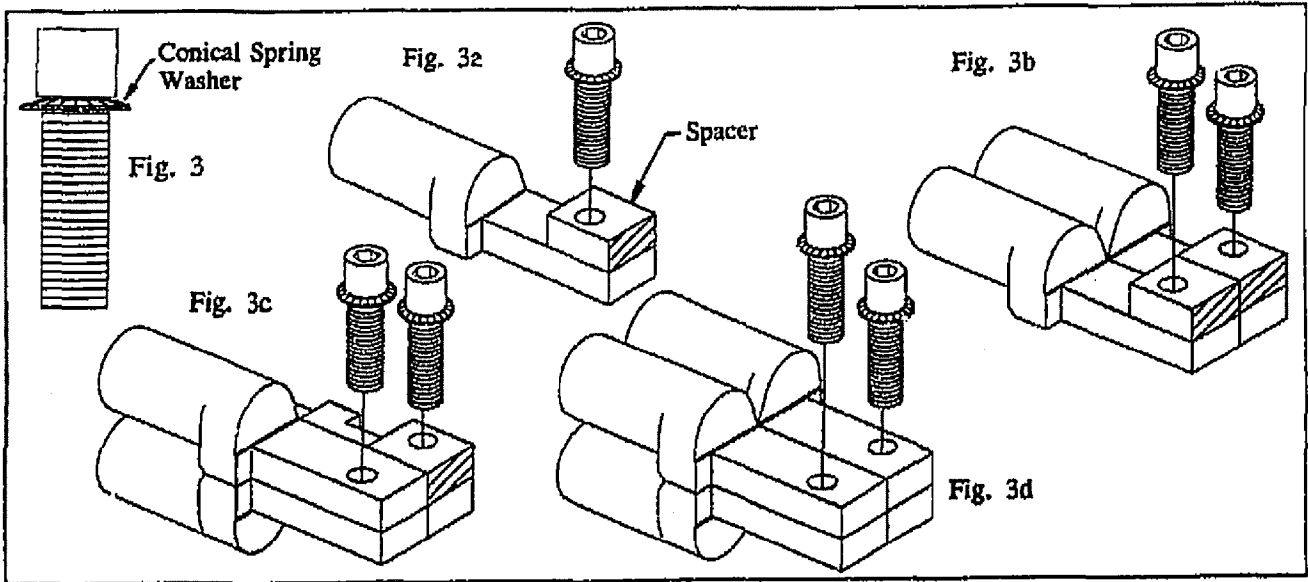
Note: When using this kit for ampacities less than 1200 A. or where only one or two connectors are to be mounted to the breaker pad; insert spacers provided in kit between spring washer and compression lug (Figures 3a, 3b, 3c, and 3d).

TABLE 2

COMPRESSION TOOL AND DIE CHART FOR COPPER AND ALUMINUM CONDUCTORS				
Wire Size	Tool Mfg.	Tool No.	Die No.	No. of Crimps
500 Kcmil	Homac	UT-15	94, 95	2
500 Kcmil	Burndy	Y-35	855, 321	3
			316	3
500 Kcmil	Kearny	WH-2	1-1/8-2	2
			1-1/2-1	2
1/0-500 Kcmil	Square D	VC-5	...	2

	⚠ DANGER
	Hazardous Voltage. Will cause death or severe injury.
	Turn power off supplying device before installing.

Installation Instructions



WARNING: Short electrical spacings will result if wire connector shield is not installed according to steps 11 & 12.

11. After all connectors are installed slide wire connector shield into place on end of circuit breaker (Figure 4).
12. Replace terminal cover, which was removed from circuit breaker in step 3. The two tabs on the wire connector shield should fit into the notches in the terminal cover. Tighten (2) 6-32 screws securely. Wire connector shield should be held securely when properly installed.

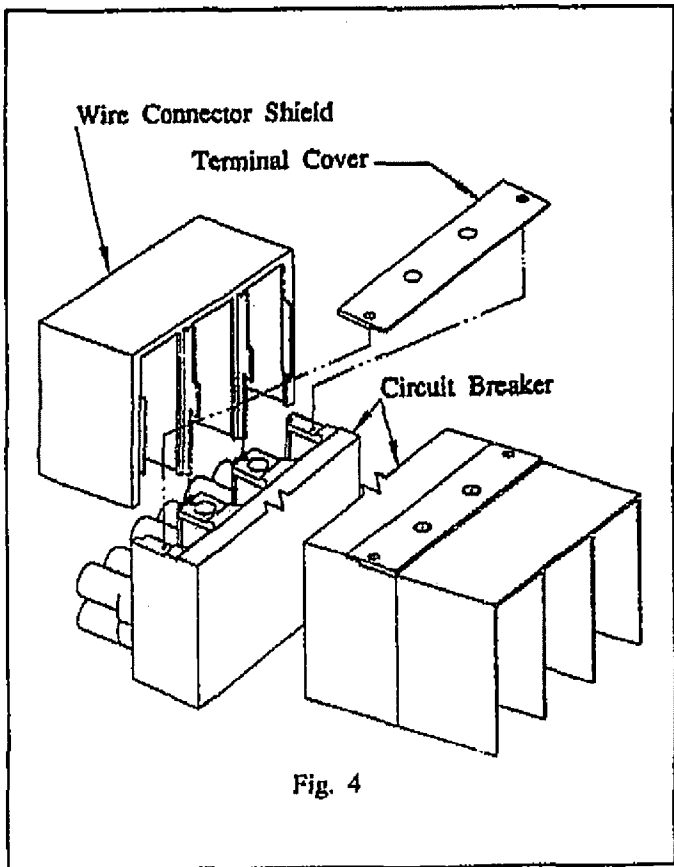


Fig. 4