


Installation Instructions



⚠ DANGER

Hazardous Voltage. Will cause death or serious injury

Turn off and lock out all power supplying this device before removing cover(s) or device and while cover(s) are removed. Replace the covers and shields before power supplying this device is turned on.

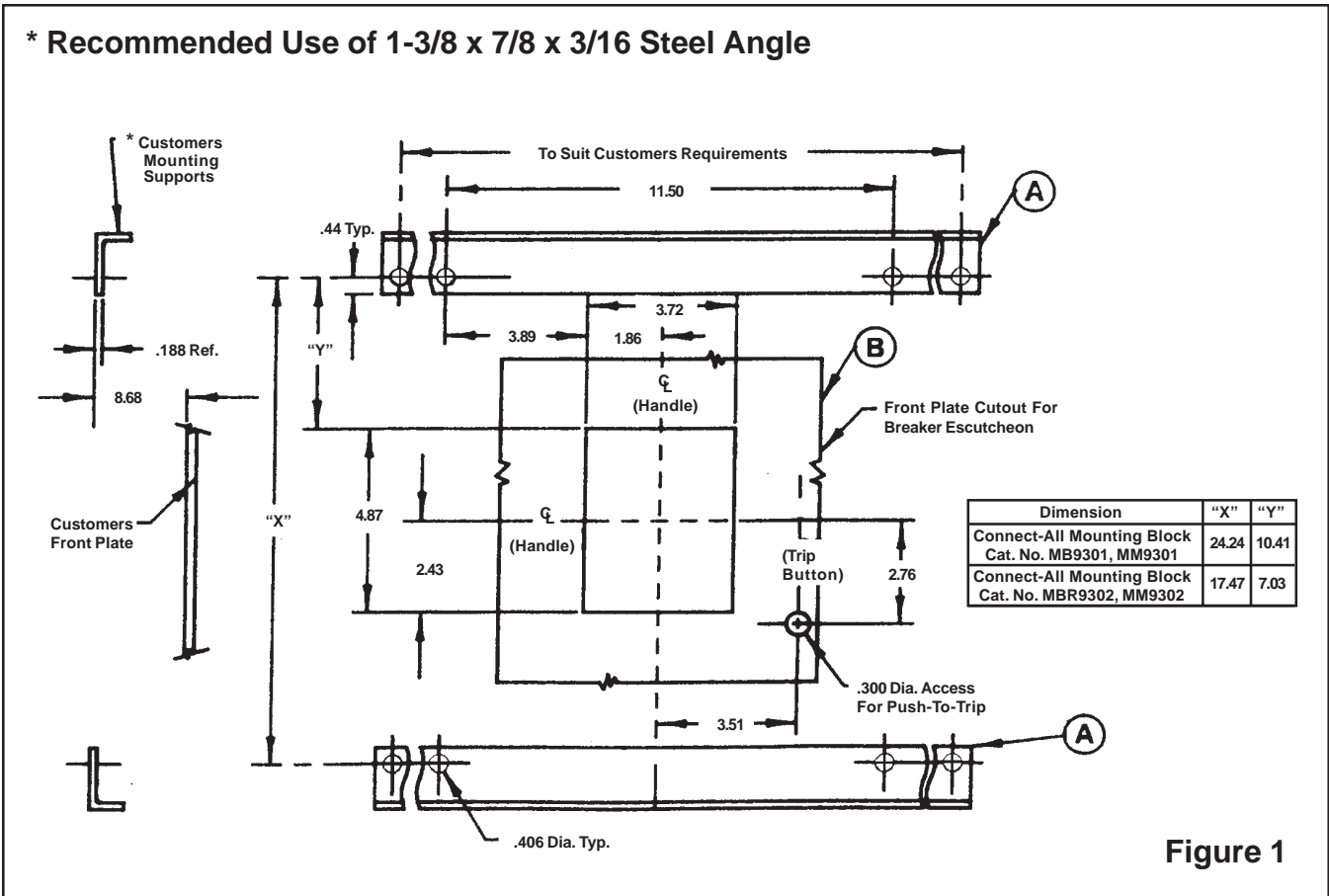
⚠ SAFETY INSTRUCTIONS

NOTE: This instruction outlines the recommended installation procedure.


Mounting of Connect-All Mounting Block Assembly

Catalog Numbers: MB9301, MBR9302, MM9301, MM9302

1. Provide suitable mounting supports (Item A) and drill holes per figure 1.
(Recommended use of 1-3/8 x 7/8 x 3/16 steel angle)
2. Provide cut out for breaker escutcheon in front plate (Item B, Fig. 1).
NOTE: Refer to Figure 2 for Cat.No. MB9301 and MM9301. Refer to Figure 3 for Cat.No. MBR9302 and MM9302. Remove four 3/8 X 1-1/2" hex headbolts, nuts and washers (Item C, Fig. 2 & 3) and re-use them to mount pan-and-block assembly to support angles. Tighten mounting bolts and nuts securely.

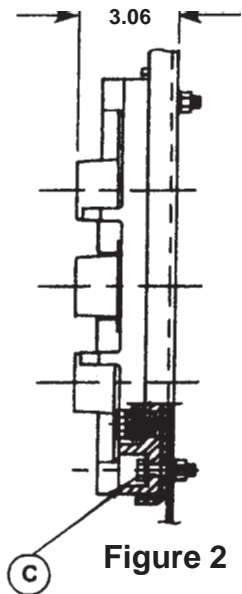
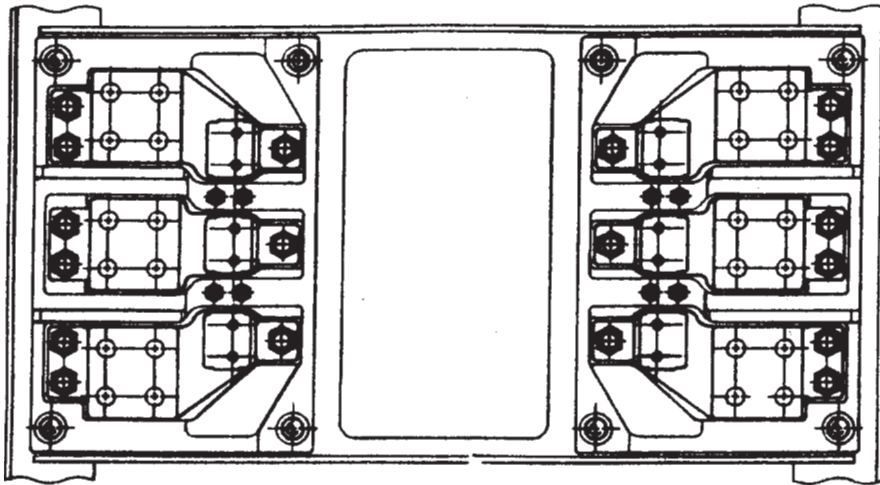


⚠ DANGER
Hazardous Voltage.
Will cause death or serious injury.
Turn off and lock out all power supplying this device before removing cover(s) or device and while cover(s) are removed.
Replace the covers and shields before power supplying this device is turned on.



Installation Instructions

Mounting of Connect-All MB9301 and MM9301



Mounting of Connect-All MBR9302 and MM9302

