


Installation Instructions



⚠ DANGER

Hazardous voltage. Will cause death or serious injury.

Turn off and lock out all power supplying circuit breaker, frame or connect-all before removing cover(s) or device and while cover(s) are removed.

Replace all covers and shields before power supplying this device is turned on.

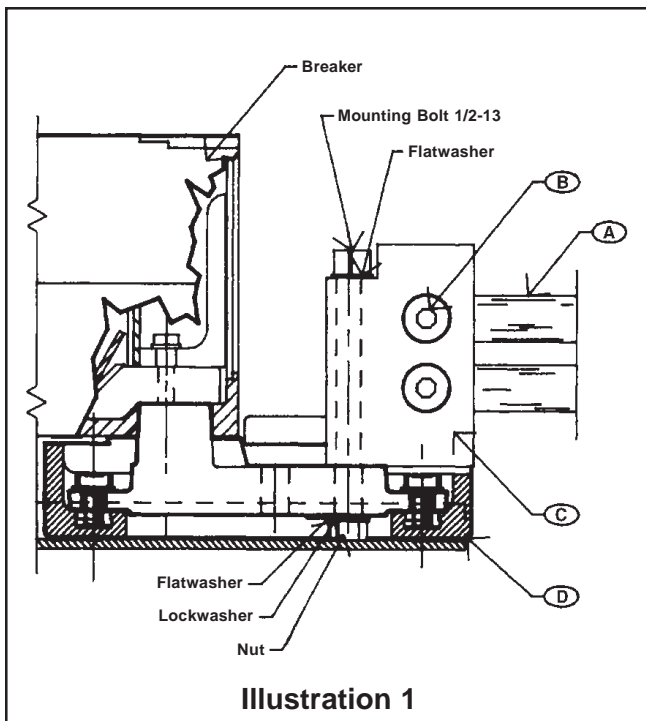
⚠ SAFETY INSTRUCTIONS

NOTE: This instruction outlines the recommended installation procedure.

Catalog No: TC5R600

The terminals have been tested per UL-486 A with standard stranded cable.

1. Turn off and lock out all power supplying this device before installing wire connectors.



2. Attach power cable (A) to wire connector (C) and tighten cable set screws (B) to a torque of 600 in. lbs.

NOTE: Steps two and three may be completed in any convenient order.

3. Mount pressure wire connectors (C) to mounting block assembly (D) with mounting bolts, nuts, flatwashers and lockwashers provided (see Illus. 1). Tighten to a torque of 375 in. lbs. (see Table 1).

NOTE: Alternate lug connection options may be found with PD, PM and RD Frame Breaker Mounting instructions.

Table 1

Catalog Number	Wire Range	Torque	
		Set Screw	Mounting Bolt
TC5R600	(1-5) 300-600 kcmil. Cu Only	600 in. lbs.	375 in. lbs.