

SIEMENS

Item: TA6ED06 DISTRIBUTION
LUG KIT

For Use with: E, ED & EM
FRAME CIRCUIT BREAKERS
(See Types Below)

Siemens Energy & Automation, Inc.
Bellevue, Ohio 43311 U.S.A.

Pc. No. 411777A01

Installation Instructions

	⚠ DANGER
	<p>Hazardous Voltage Will cause death or serious injury.</p> <p>Turn off and lock out power supplying the circuit breaker before proceeding with the installation of this device.</p>

⚠ SAFETY INSTRUCTIONS

Breaker Types:
ED2, ED4, ED6, HED4, HHED6, CED6, EM6, EMK

CAUTION: Special purpose wire connector not for general use.
Note: The terminals have been tested per UL486 B with standard stranded cable.

1. Turn off and lock out power supply before working on circuit breaker.
2. Place connector on circuit breaker terminal.
3. Pass mounting screw through connector and thread screw into circuit breaker terminal. Tighten mounting screw to 50 lb-in [5.65 N.m] to securely attach connector.
4. Install conductor cables and tighten binding screws securely to prevent overheating of conductors and connector. (See cable range table for correct size and torque.)

* For HHED6 breakers - Top Side only

Cable Range:	Binding Screw Tightening Torque
14-10 AWG Cu	35 lb-in [3.95 N.m]
8-4 AWG Cu	35 lb-in [3.95 N.m]
6-4 AWG Al	35 lb-in [3.95 N.m]

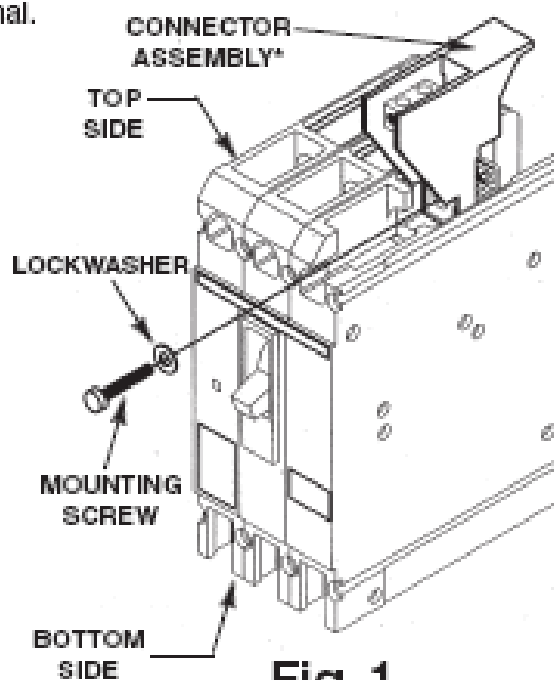


Fig. 1