

# 600V DC Solar Photovoltaic Switches Type VBII, 60 Amp, Type 1 (Indoor)

## Standards and Ratings

- UL Listed and specifically designed and tested for use with three separate 600V DC circuits
- Specific catalog numbers are available for use with negative and for positive ground system
- Switches comply with UL98 requirements and are UL listed in file number E335018 as UL1741 Photovoltaic Disconnect switches
- Door labeling as required by Article 690 of the NEC supplied as standard
- Rated 10,000 AIC when protected by Class K, J or R fuses rated at 600V DC
- UL approved for field installation of optional copper body and crimp type terminals

## Features

- Innovative magnetic arc suppression incorporated into the line base
- Quick-make and break switching action
- Double break visible blade design
- Highly visible ON/OFF indication
- Rugged installer friendly enclosure design
- Front removable line and load lugs which can easily be converted to copper body or compression type lugs
- Defeatable dual cover interlock
- Ground bar factory installed as standard
- Two and 3 point mounting provisions are standard
- Large wire gutters and oversized lugs allow for larger cables to minimize voltage drop on long cable runs

## General Information

Catalog Number	Volts DC	Description	Shipping Weight (lbs.)	Rated Isc per NEC Article 690
<b>Negative Ground</b>				
HF362PV	600	3 Pole, 3 Wire, Fusible	20	38.4A
HNF362PV	600	3 Pole, 3 Wire, Non-Fusible	19	48.0A
<b>Positive Ground</b>				
HF362PVPG	600	3 Pole, 3 Wire, Fusible	20	38.4A
HNF362PVPG	600	3 Pole, 3 Wire, Non-Fusible	19	48.0A

## Accessories

Catalog Number	Description
HA161234	One Normally Open and Closed Auxiliary Switches
HA261234	Two Normally Open and Closed Auxiliary Switches
HA361234	Low Voltage Auxiliary Switch
HG261234	Isolated Equipment Ground Lug Kit
HP62	Fuse Puller (3 per kit)
HN623	Neutral Kit
HR62	600 Volt Class R Fuse Clip Kit (3 fuse clips per kit)
HLC612	Copper Lug Kit (9 lugs per kit)
HCL623	Compression Lug Neutral Barrier Kit

## Replacement Parts

Catalog Number	Description
HBB62	Fusible 600 Volt Load Side Replacement Base
HH6123	Replacement Handle/Handle Guard
HL612	Replacement Lugs (3 lugs per kit)
HM6123	Replacement Mechanism

## Mechanical Lug Wire Ranges (60/75°C, Cu/Al)

Description	Wire Range
Line, Load	#12-2 AWG (Al) or
Neutral	#14-2 AWG (Cu)
Ground	#14-4 AWG

# Product Specification Sheet HD60.17

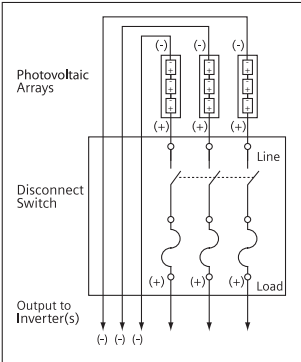
# Product Specification Sheet #HD60.17 (page 2 of 2)

## Compression Lugs

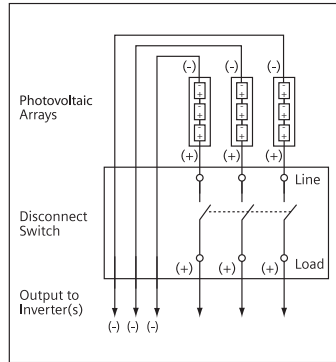
Wire Size	Burdndy		Thomas-Betts		IlSCO	
	CU Only	CU/AL	CU Only	CU/AL	CU Only	CU/AL
#14-10			256-30695-1352	60097		
#8	YA8C-L1 BOX YA8C-TC14	YA8CA3	54130 54930BE	60102 61102		ACL-8
#6	YA6C-L BOX YA6C	YA6CA1	54105 54905BE	60107 61107	CRB-6 CRB-6L	ACL-6
#4			54106	61112	CRB-4	

## Wiring Diagrams

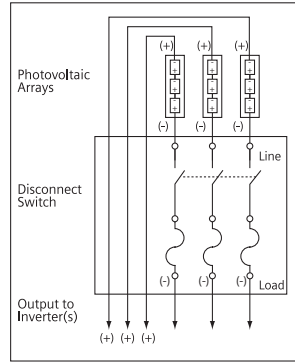
For negative ground PV systems  
HF362PV



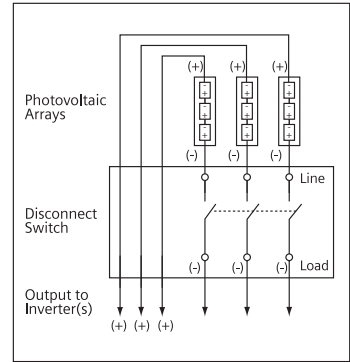
HNF362PV



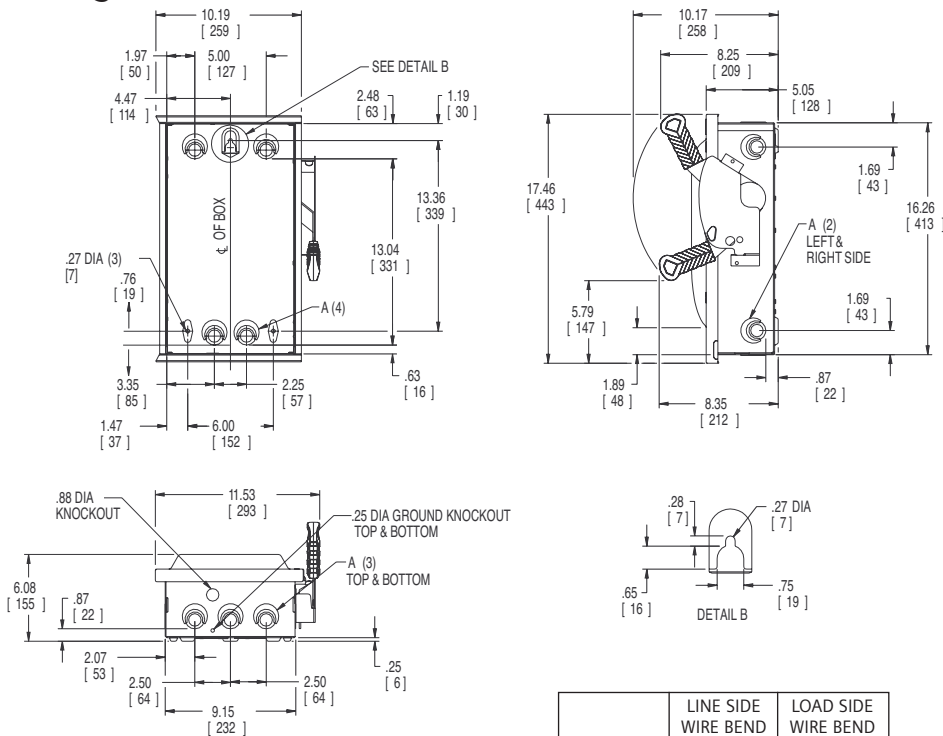
For positive ground PV systems  
HF362PVPG



HNF362PVPG



## Dimension Drawing



Dimensions shown in inches and millimeters ( ).  
Dimension shown accurate to ± 1/16 inch.

KNOCKOUT CODE	CONDUIT SIZE		
	.50	.75	1.00 1.25
A (Tangential)			

	LINE SIDE WIRE BEND	LOAD SIDE WIRE BEND
240V Fused	3.54 (90)	6.07 (154)
600V Fused	3.54 (90)	3.57 (91)
Non-Fused	3.54 (90)	8.68 (220)

Enclosure: Cold Rolled Steel  
.054 Thick (17 Gauge)  
Finish: ANSI Grey #61 Paint

Siemens Industry, Inc.  
Building Technologies Division  
5400 Triangle Parkway  
Norcross, GA 30092  
1-800-241-4453

Subject to change without prior notice.  
All rights reserved.  
Printed in USA  
©2011 Siemens Industry, Inc.

Siemens is a registered trademark of Siemens AG.  
Product names mentioned may be trademarks or registered trademarks of their respective companies.