

# 600V DC Solar Photovoltaic Switches Type VBII, 30 Amp, Type 3R (Outdoor)

## Standards and Ratings

- UL Listed and specifically designed and tested for use with three separate 600V DC circuits
- Specific catalog numbers are available for use with negative and for positive ground system
- Switches comply with UL98 requirements and are UL listed in file number E335018 as UL1741 Photovoltaic Disconnect switches
- Door labeling as required by Article 690 of the NEC supplied as standard
- Rated 10,000 AIC when protected by Class K, J or R fuses rated at 600V DC
- UL approved for field installation of optional copper body and crimp type terminals

## Features

- Innovative magnetic arc suppression incorporated into the line base
- Quick-make and break switching action
- Double break visible blade design
- Highly visible ON/OFF indication
- Rugged installer friendly enclosure design
- Front removable line and load lugs which can easily be converted to copper body or compression type lugs
- Defeatable dual cover interlock
- Ground bar factory installed as standard
- Two and 3 point mounting provisions are standard
- Large wire gutters and oversized lugs allow for larger cables to minimize voltage drop on long cable runs

## General Information

| Catalog Number         | Volts DC | Description             | Shipping Weight (lbs.) | Rated Isc per NEC Article 690 |
|------------------------|----------|-------------------------|------------------------|-------------------------------|
| <b>Negative Ground</b> |          |                         |                        |                               |
| HF361RPV               | 600      | 3 Pole, 3 Wire, Fusible | 15                     | 19.2A                         |
| <b>Positive Ground</b> |          |                         |                        |                               |
| HF361RPVPG             | 600      | 3 Pole, 3 Wire, Fusible | 15                     | 19.2A                         |

## Accessories

| Catalog Number | Description   |
|----------------|---|
| HA161234       | One Normally Open and Closed Auxiliary Switches       |
| HA261234       | Two Normally Open and Closed Auxiliary Switches       |
| HA361234       | Low Voltage Auxiliary Switch                          |
| HG261234       | Isolated Equipment Ground Lug Kit                     |
| HP61           | Fuse Puller (3 per kit)                               |
| HN612          | Neutral Kit   |
| HR612          | 600 Volt Class R Fuse Clip Kit (3 fuse clips per kit) |
| HLC612         | Copper Lug Kit (9 lugs per kit)                       |
| ECHS075        | 0.75" Type "HS" Outdoor Hub                           |
| ECHS100        | 1.00" Type "HS" Outdoor Hub                           |

## Replacement Parts

| Catalog Number | Description                         |
|----------------|-------------------------------------|
| HBB612         | 600 Volt Load Side Replacement Base |
| HH6123         | Replacement Handle/Handle Guard     |
| HL612          | Replacement Lugs (3 lugs per kit)   |
| HM6123         | Replacement Mechanism               |

## Mechanical Lug Wire Ranges (60/75°C, Cu/Al)

| Description | Wire Range        |
|-------------|-------------------|
| Line, Load  | #12-6 AWG (Al) or |
| Neutral     | #14-6 AWG (Cu)    |
| Ground      | #14-4 AWG         |

# Product Specification Sheet HD30.23

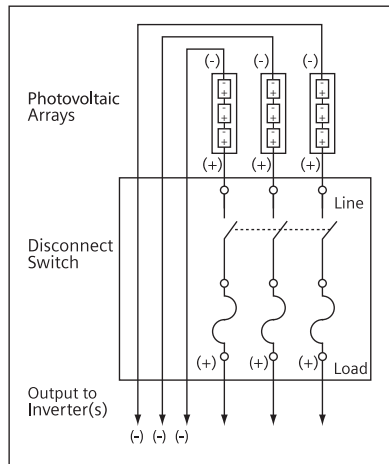
# Product Specification Sheet #HD30.23 (page 2 of 2)

## Compression Lugs

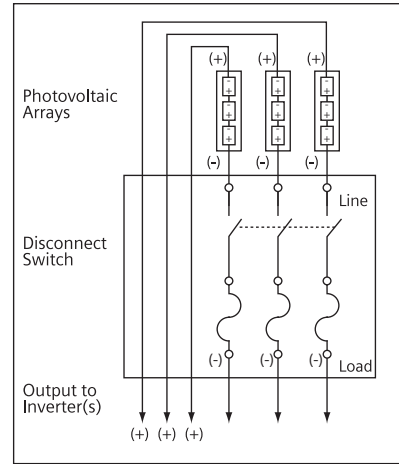
| Wire Size | Burndy                    |       | Thomas-Betts   |                         | IlSCO   |                |
|-----------|---------------------------|-------|----------------|-------------------------|---------|----------------|
|           | CU Only                   | CU/AL | CU Only        | CU/AL                   | CU Only | CU/AL          |
| #14-10    |                           |       |                | 60096<br>60097          |         |                |
| #8        | YA8C-L BOX<br>YA8C-L1 BOX |       | 54104<br>54130 | 60101<br>60102<br>61102 | CRA-8   | ACL-8<br>ACN-8 |
| #6        |                           |       |                | 61107                   |         |                |

## Wiring Diagrams

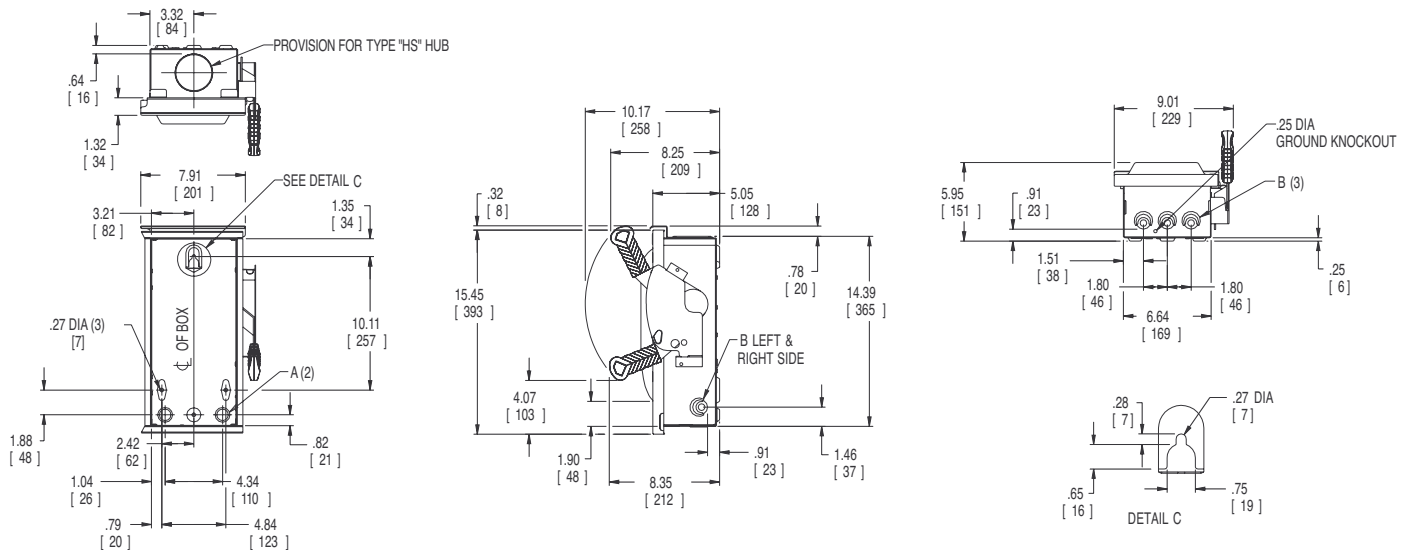
For negative ground PV systems  
HF361RPV



For positive ground PV systems  
HF361RPVPG



## Dimension Drawing



Dimensions shown in inches and millimeters ( ).  
Dimension shown accurate to  $\pm 1/16$  inch.

| KNOCKOUT CODE  | CONDUIT SIZE |          | LINE SIDE WIRE BEND | LOAD SIDE WIRE BEND |
|----------------|--------------|----------|---------------------|---------------------|
|                | .75          | 1.00     |                     |                     |
| A (Concentric) | .75          | 1.00     | 3.02 (77)           | 5.36 (136)          |
| B (Tangential) | .50          | .75 1.00 | 3.02 (77)           | 2.61 (66)           |

Enclosure: Galvanized Steel  
.054 Thick (17 Gauge)  
Finish: ANSI Grey #61 Paint

Siemens Industry, Inc.  
Building Technologies Division  
5400 Triangle Parkway  
Norcross, GA 30092  
1-800-241-4453

Subject to change without prior notice.  
All rights reserved.  
Printed in USA  
©2011 Siemens Industry, Inc.

Siemens is a registered trademark of Siemens AG.  
Product names mentioned may be trademarks or  
registered trademarks of their respective companies.