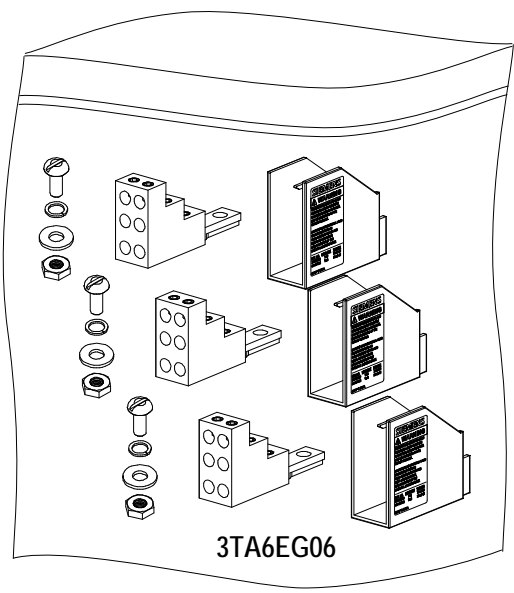
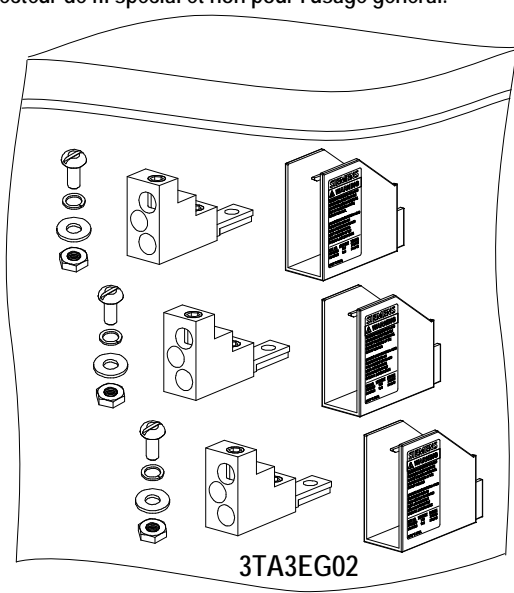
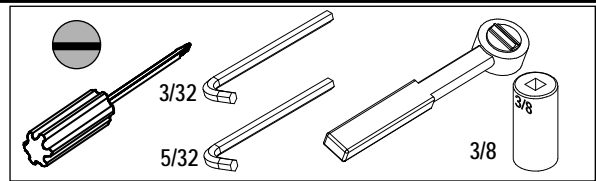


Installation Instructions / Instructivo de Instalación

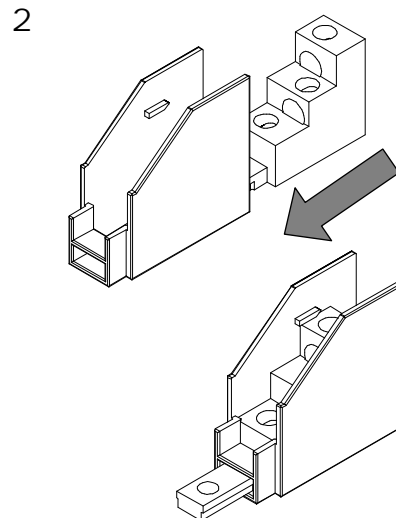
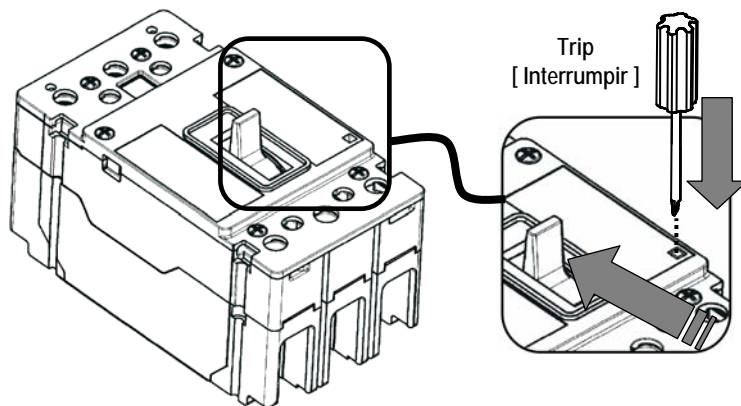
 Danger	 Peligro	 Danger
<p>Hazardous Voltage. Will cause death or serious injury.</p> <p> Turn off and lock out all power supplying this device before working on this device. Replace all covers before power supplying this device is turned on.</p>	<p>Tensión peligrosa. Puede causar la muerte o lesiones graves.</p> <p>Desenergice totalmente antes de instalar o darle servicio. Reemplace todas las barreras y cubiertas antes de energizar el interruptor.</p>	<p>Tension dangereuse. Danger de mort ou risque de blessures graves.</p> <p>Couper l'alimentation de l'appareil et barrer avant de travailler. Remplacez tous les couverts avant que l'alimentation de pouvoir soit alimenté.</p>

Use only with Siemens certified components.
 Utilizar únicamente con componentes certificados de Siemens.
 A utiliser uniquement avec les composants certifiés Siemens.

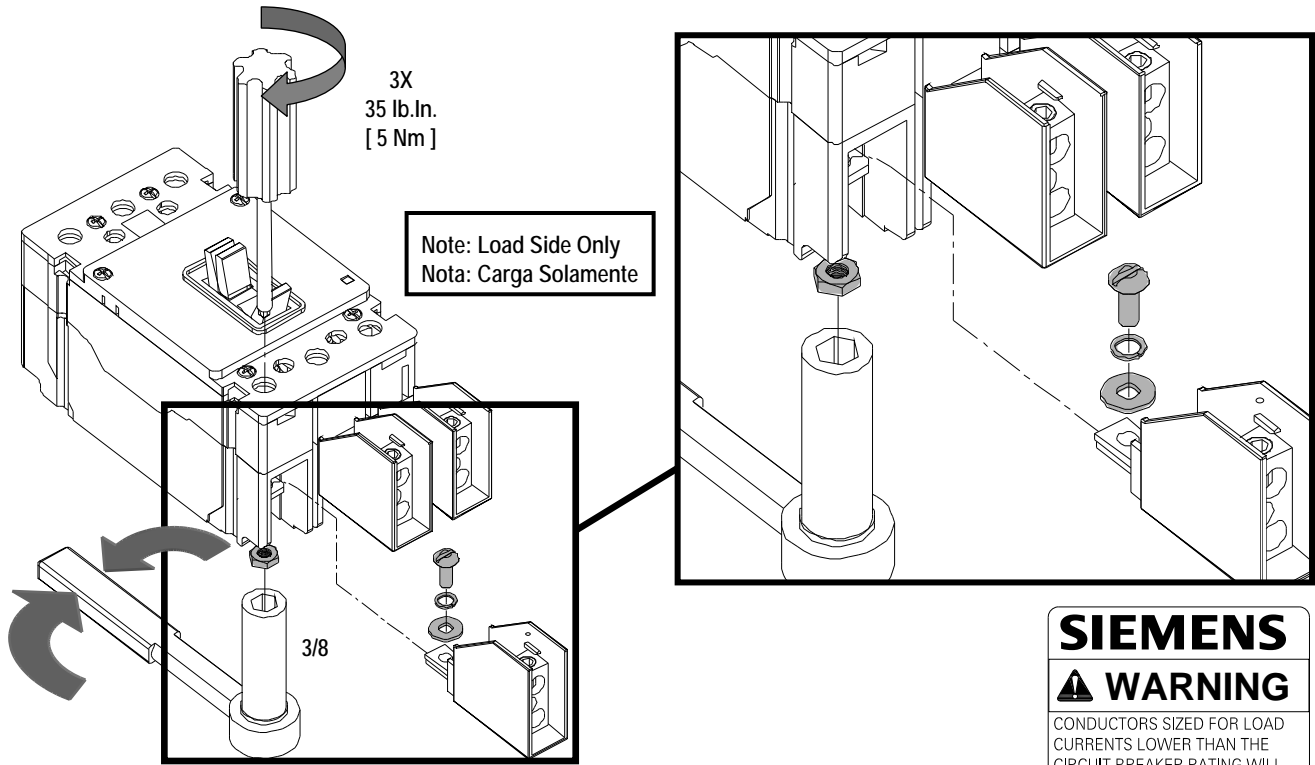
Caution: Special Purpose wire connector. **NOT** for general use.
 Precaucion: Proposito Especial conexion de terminales. **NO** es de uso general.
 Attention: Connecteur de fil spécial et non pour l'usage général.



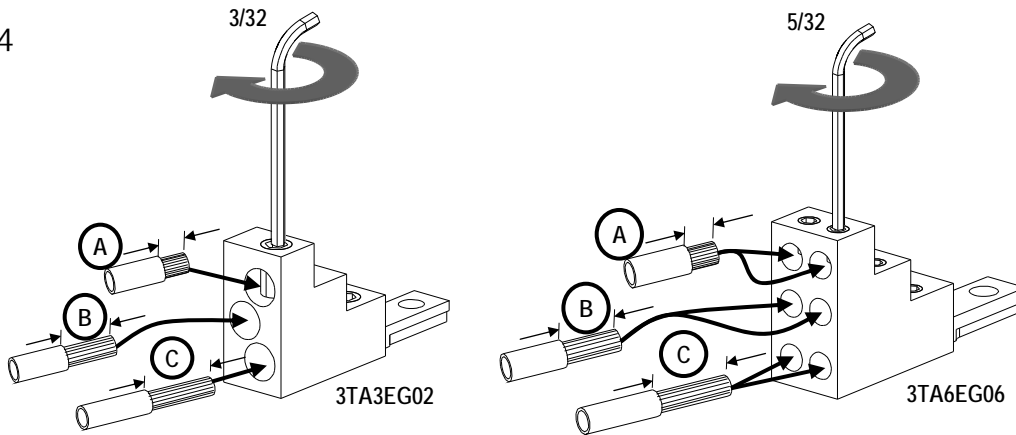
1 Disconnect Voltage. Trip breaker.
 [Desconecte El Voltaje. Dispare El Tritrador.]



3



4



SIEMENS

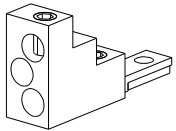
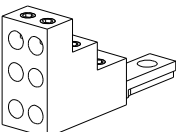
⚠ WARNING

CONDUCTORS SIZED FOR LOAD CURRENTS LOWER THAN THE CIRCUIT BREAKER RATING WILL NOT BE PROTECTED BY THE CIRCUIT BREAKER.

PROTECT EACH INDIVIDUAL LOAD CONDUCTOR WITH AN OVER-CURRENT DEVICE AND MEET ANY ADDITIONAL REQUIREMENTS OF THE NATIONAL ELECTRIC CODE.

CAT. NO.	WIRE SIZE	TORQUE
3TA3EG02	14-2	70 LB-IN
3TA6EG06	14-6	25 LB-IN

60/75 °C CU/AL

Wire Connector [Conexión del cable]	60°C and 75°C Wire Size [Rango Cable]	Req. Wire Stranding [Hebras] UL 486A - 486B		Torque [Esfuerzo de torsión]	Wire Strip Length [Quitar]		
		CU / AL Class B	CU Class C		(A)	(B)	(C)
 3TA3EG02	(Cu / Al) 14 - 2 AWG [2.5 - 35 mm ²]	7	19	70 lb. in. [8 Nm]	.38 - .50 [9.7 - 13mm]	.75 - .88 [19 - 22mm]	1.25 - 1.38 [32 - 35mm]
 3TA6EG06	(Cu / Al) 14 - 6 AWG [2.5 - 16 mm ²]	7	19	25 lb. in. [3 Nm]			

Technical Support:

Toll Free: 1-800-964-4114

Internet: www.usa.siemens.com/powerdistribution

Subject to change without prior notice
Siemens Industry, Inc. , Norcross, GA U.S.A.