

Rotary Handle Operator Direct Mount
Accionamiento giratorio Frontal
Comande rotative Frontale

For Use With Frame EG
Para Usar Con Caja Base EG

Installation Instructions / Instructivo de Instalación

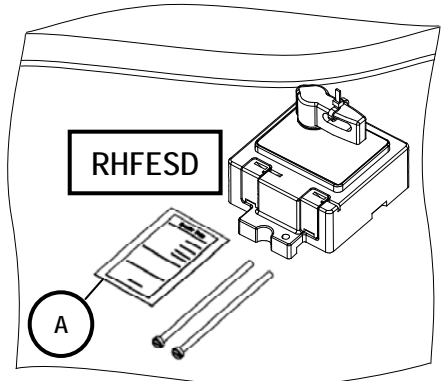
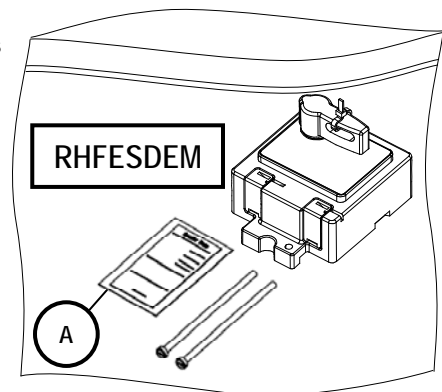
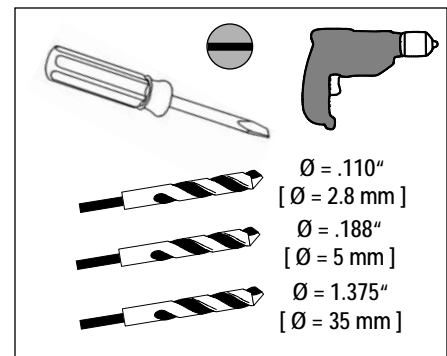
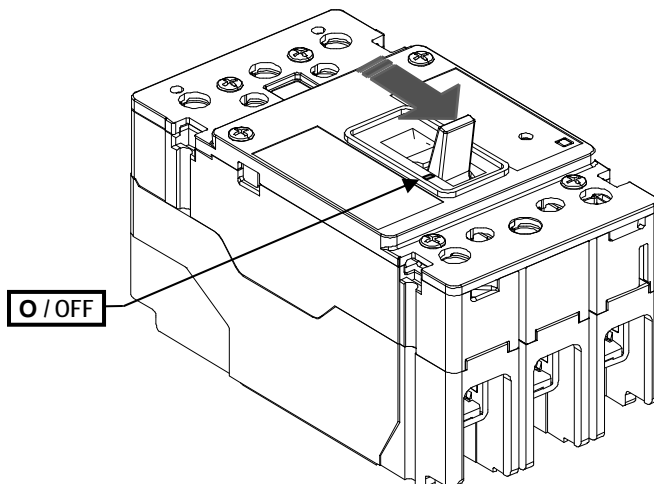
	 Danger	 Peligro	 Danger
	<p>Hazardous Voltage. Will cause death or serious injury.</p> <p>Turn off and lock out all power supplying this device before working on this device. Replace all covers before power supplying this device is turned on.</p>	<p>Tensión peligrosa. Puede causar la muerte o lesiones graves.</p> <p>Desenergice totalmente antes de instalar o darle servicio. Reemplace todas las barreras y cubiertas antes de energizar el interruptor.</p>	<p>Tension dangereuse. Danger de mort ou risque de blessures graves.</p> <p>Couper l'alimentation de l'appareil et barrer avant de travailler. Remplacez tous les couverts avant que l'alimentation de pouvoir soit alimenté.</p>

Use only with Siemens certified components.
Utilizar únicamente con componentes certificados de Siemens.
A utiliser uniquement avec les composants certifiés Siemens.

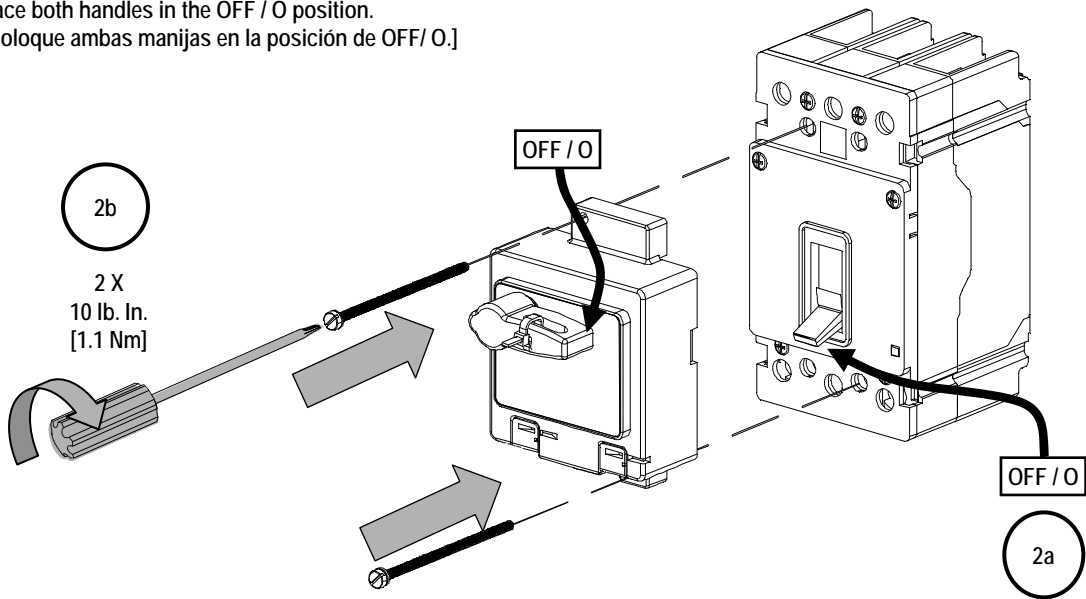
NOTE - These instructions do not purport to cover all details or variations in equipment, or to provide for every possible contingency to be met in connection with installation, operation or maintenance. Should further information be desired or should particular problems arise, which are not covered sufficiently for the purchaser's purposes, the matter should be referred to the local Siemens sales office. The contents of this instruction manual shall not become part of or modify any prior or existing agreement, commitment or relationship. The sales contract contains the entire obligation of Siemens. The warranty contained in the contract between the parties is the sole warranty of Siemens. Any statements contained herein do not create new warranties or modify the existing warranty.

Trademarks - Unless otherwise noted, all names identified by ® are registered trademarks of Siemens AG or Siemens Industry, Inc. The remaining trademarks in this publication may be trademarks whose use by third parties for their own purposes could violate the rights of the owner.

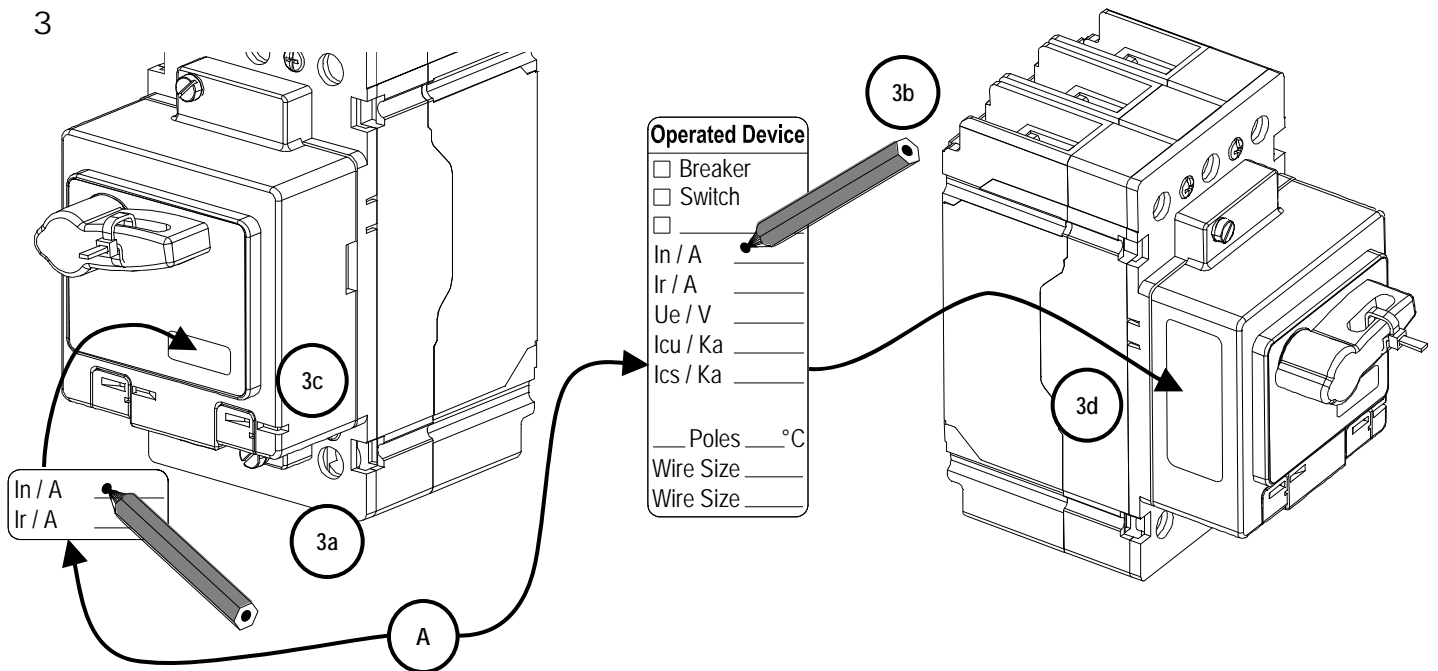
- 1 Disconnect Voltage.
Place Handle in OFF Position.
[Desconecte Voltaje.
Coloque la manija en la posición de O / OFF]



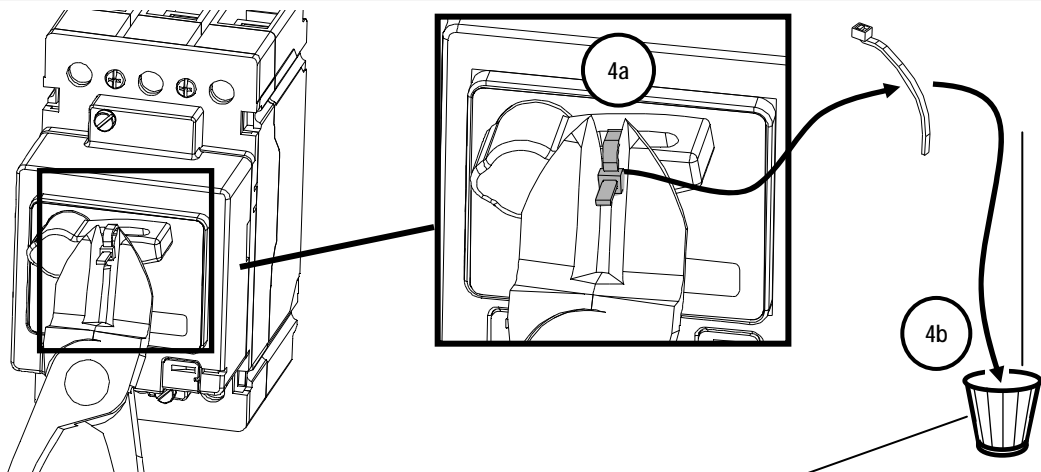
- 2 Place both handles in the OFF / O position.
 [Coloque ambas manijas en la posición de OFF / O.]



3

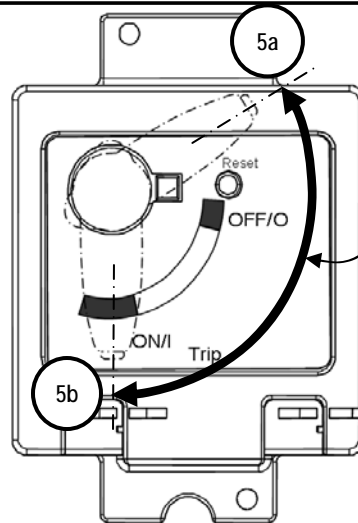


4

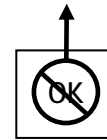


 	<p>Danger</p> <p>Hazardous Voltage. Will cause death or serious injury.</p> <p>Turn off and lock out all power supplying this device before working on this device. Replace all covers before power supplying this device is turned on.</p>	<p>Peligro</p> <p>Tensión peligrosa. Puede causar la muerte o lesiones graves.</p> <p>Desenergice totalmente antes de instalar o darle servicio. Reemplace todas las barreras y cubiertas antes de energizar el interruptor.</p>	<p>Danger</p> <p>Tension dangereuse. Danger de mort ou risque de blessures graves.</p> <p>Couper l'alimentation de l'appareil et barrer avant de travailler. Remplacez tous les couverts avant que l'alimentation de pouvoir soit alimenté.</p>
--	---	--	---

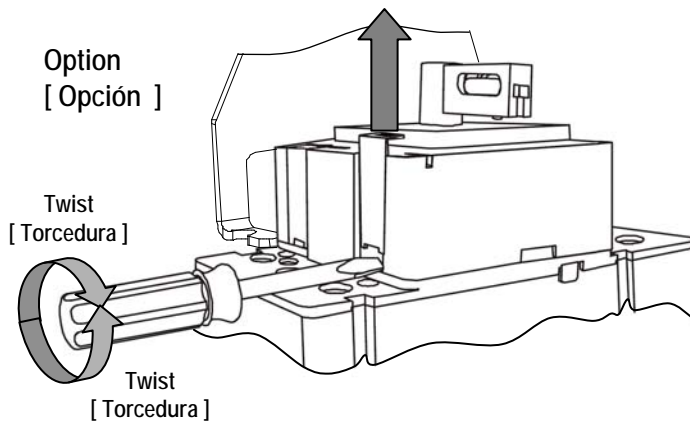
- 5 Test full range of motion.
[Pruebe la gama completa del movimiento.]



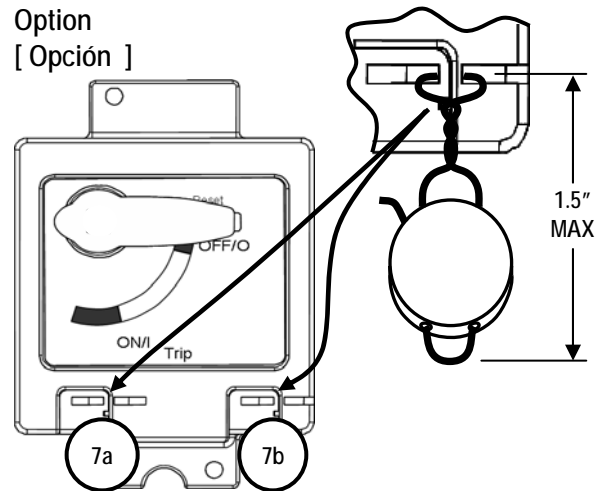
If no full motion,
call Customer Support
[Si no hay movimiento completo,
llame a servicio de cliente.]



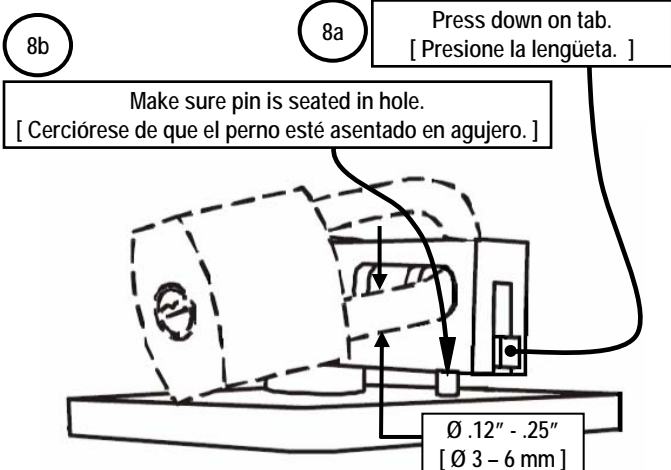
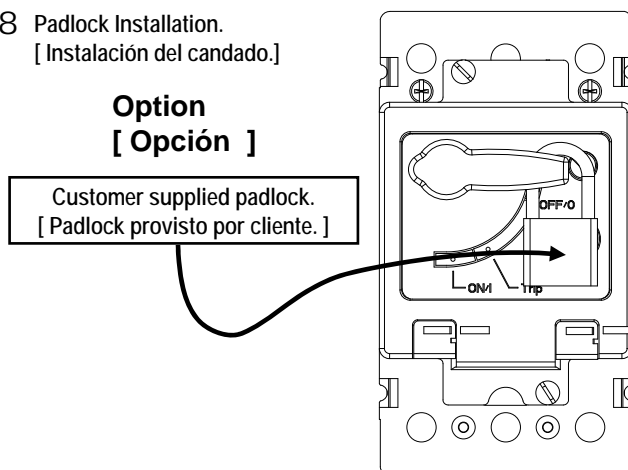
- 6 Remove covers to access breaker adjustments and Push-To-Trip Button.
[Quite las cubiertas para tener acceso al botón de disparo y ajustes del interruptor.]



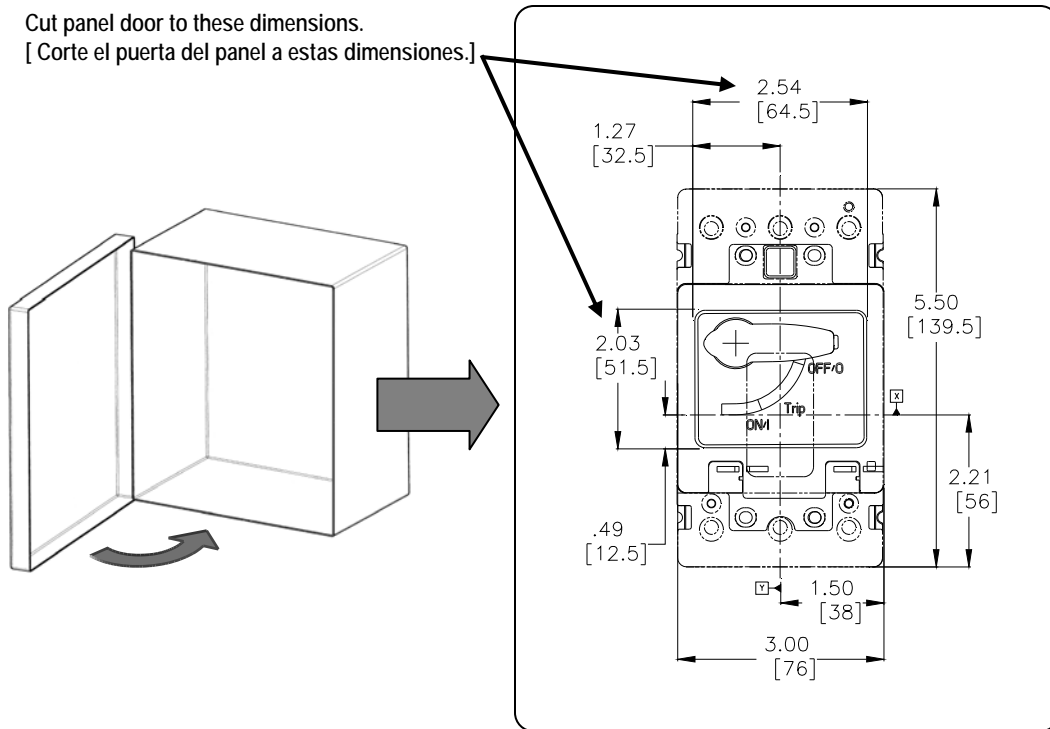
- 7 Customer supplied sealing wire.
[Alambre del lacre provisto por cliente.]



- 8 Padlock Installation.
[Instalación del candado.]

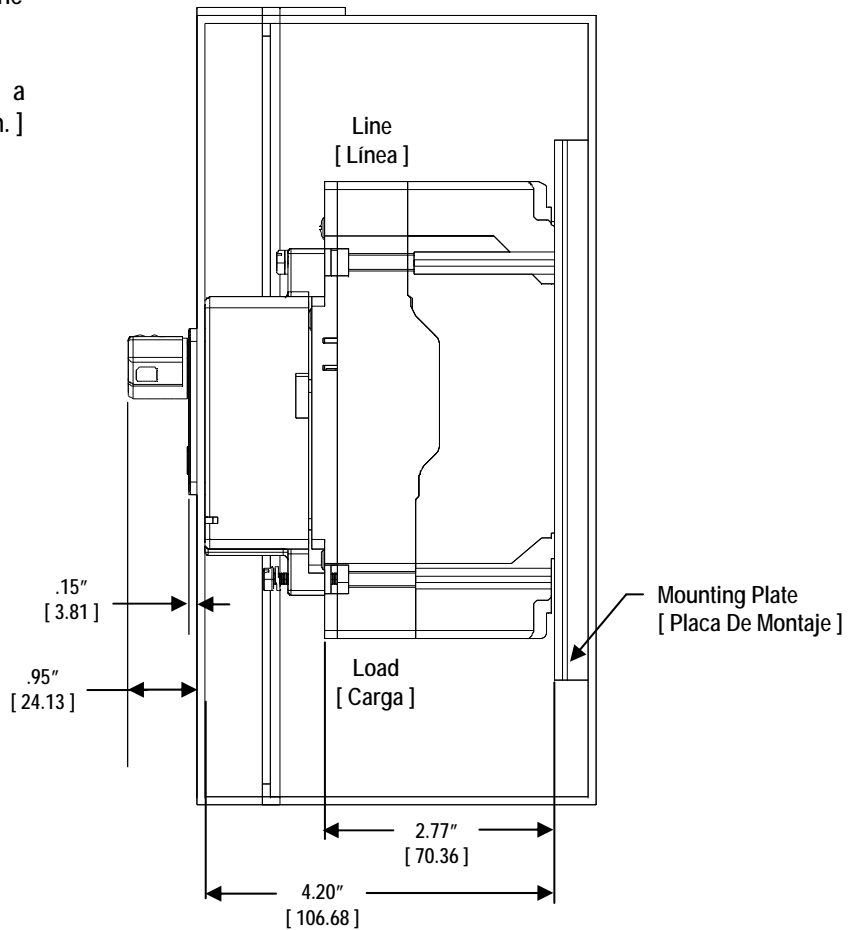


- 9 Cut panel door to these dimensions.
 [Corte el puerta del panel a estas dimensiones.]



- 10 For DIN rail mounting, add .34 to the dimensions 2.77 and 4.20.

[Para riel tipo DIN, añade 8.64mm a las medidas 70.36mm y 106.68mm.]



Technical Support:

Toll Free: 1-800-241-4453

Internet: www.usa.siemens.com/powerdistribution

Subject to change without prior notice
 Siemens Industry, Inc., Norcross, GA 30092 U.S.A.