

# SIEMENS

## Aluminum Terminal

Terminal para cobre y Aluminio

Bornes de repartition ( Aluminium )

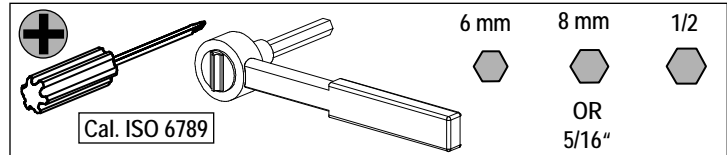
	U.S. Cat. No.	Euro. Order No.	U.S. Cat. No.	Euro. Order No.
Item:	2TA2LG600LD	3VL9460-4TY21	TA1JG750	3VL9475-4TD01
	3TA2LG600LD	3VL9460-4TY31	3TA1JG750	3VL9475-4TD31
	3TC2LG600LD	3VL9460-4TY61	4TA1JG750	3VL9475-4TD41
	2TA2LG600LN	3VL9460-4TX21	TC1JG750	3VL9475-4TD11
	3TA2LG600LN	3VL9460-4TX31	TA2JG250	3VL9425-4TF01
	3TC2LG600LN	3VL9460-4TX61	3TA2JG250	3VL9425-4TF31
			4TA2JG250	3VL9425-4TF41
			TC2JG250	3VL9425-4TF11

For Use With Frame JG, LG  
Para Usar Con Caja Base JG, LG

Installation Instructions / Instructivo de Instalación

	<b>Danger</b>	<b>Peligro</b>	<b>Danger</b>
	<b>Hazardous Voltage.</b> Will cause death or serious injury.	<b>Tensión peligrosa.</b> Puede causar la muerte o lesiones graves.	<b>Tension dangereuse.</b> Danger de mort ou risque de blessures graves.
	Turn off and lock out all power supplying this device before working on this device. Replace all covers before power supplying this device is turned on.	Desenergice totalmente antes de instalar o darle servicio. Reemplace todas las barreras y cubiertas antes de energizar el interruptor.	Couper l'alimentation de l'appareil et barrer avant de travailler. Remplacez tous les couverts avant que l'alimentation de l'appareil soit alimenté.

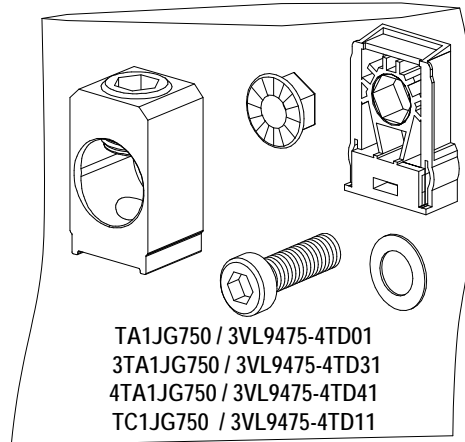
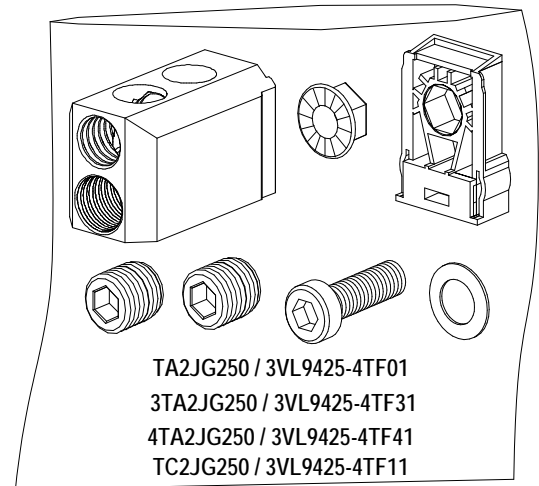
Use only with Siemens certified Components.  
Utilizar únicamente con componentes certificados de Siemens.  
A utiliser uniquement avec les composants certifiés Siemens.

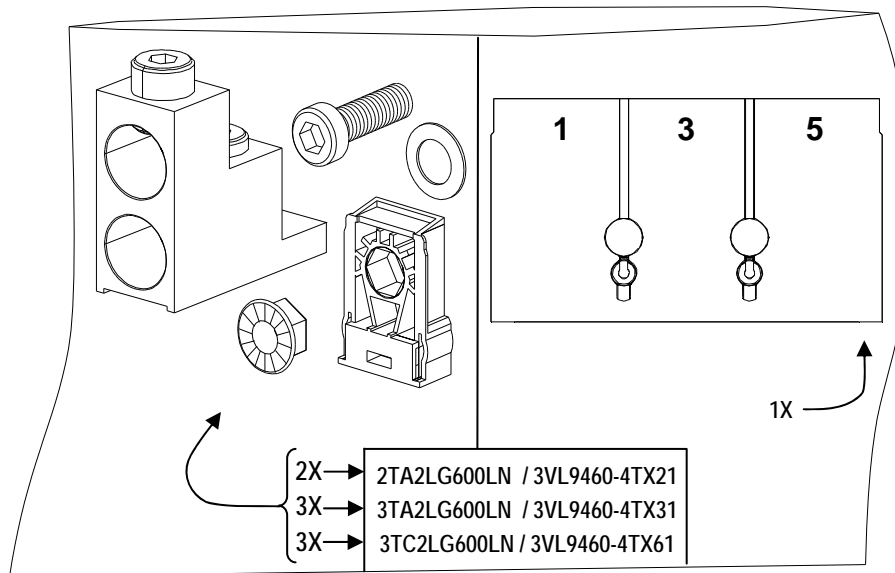
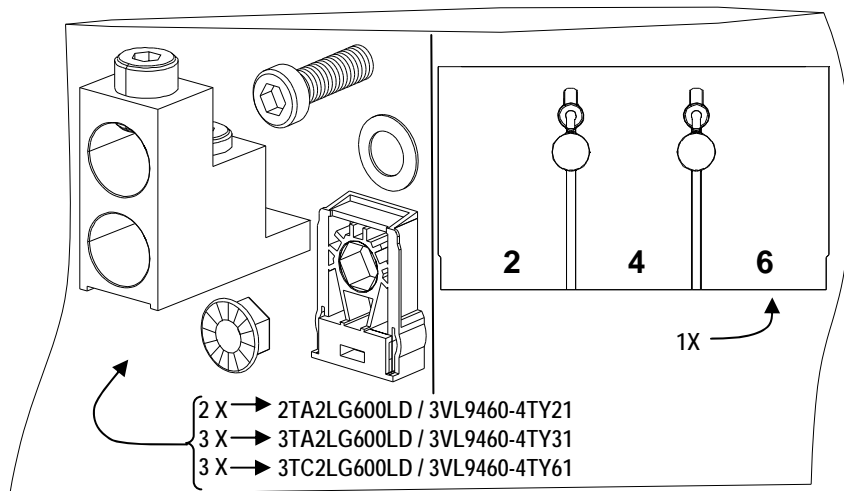


NOTE - These instructions do not purport to cover all details or variations in equipment, or to provide for every possible contingency to be met in connection with installation, operation or maintenance.

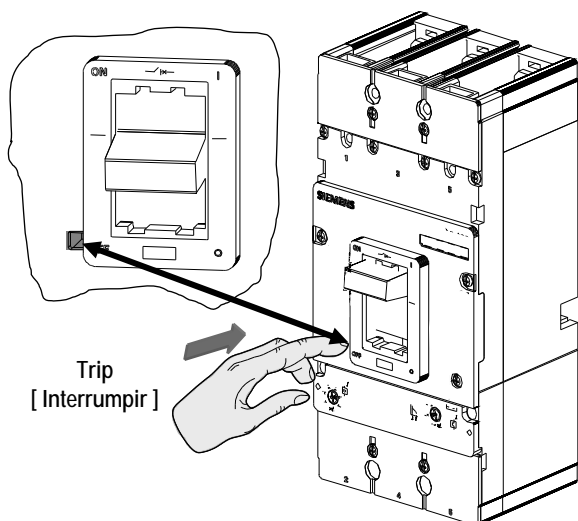
Should further information be desired or should particular problems arise, which are not covered sufficiently for the purchaser's purposes, the matter should be referred to the local Siemens sales office. The contents of this instruction manual shall not become part of or modify any prior or existing agreement, commitment or relationship. The sales contract contains the entire obligation of Siemens. The warranty contained in the contract between the parties is the sole warranty of Siemens. Any statements contained herein do not create new warranties or modify the existing warranty.

Trademarks - Unless otherwise noted, all names identified by ® are registered trademarks of Siemens AG or Siemens Industry, Inc. The remaining trademarks in this publication may be trademarks whose use by third parties for their own purposes could violate the rights of the owner.

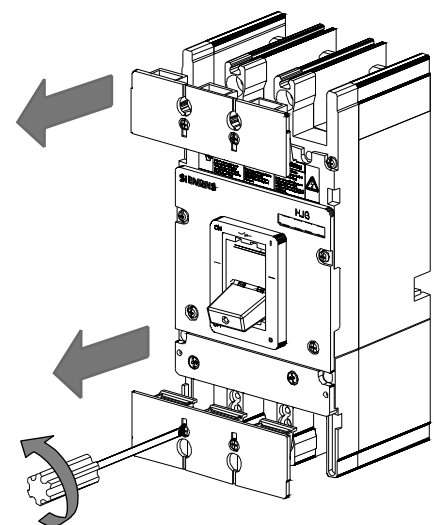




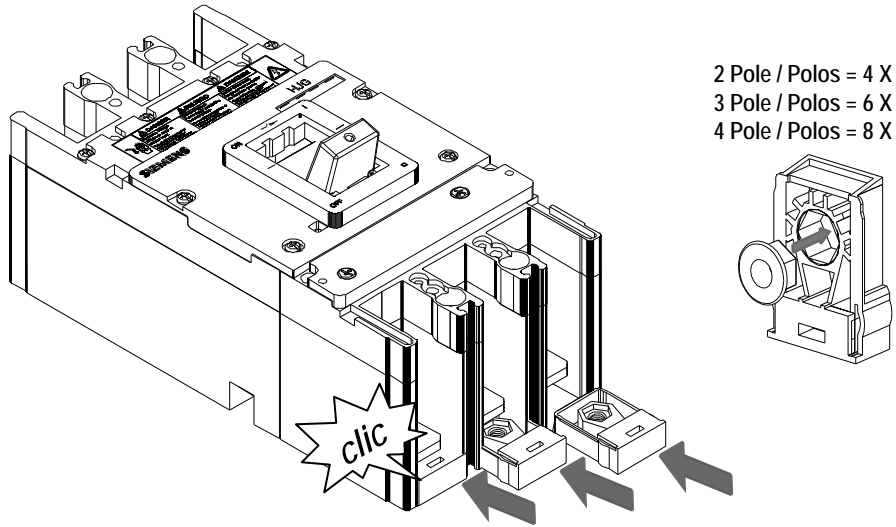
1



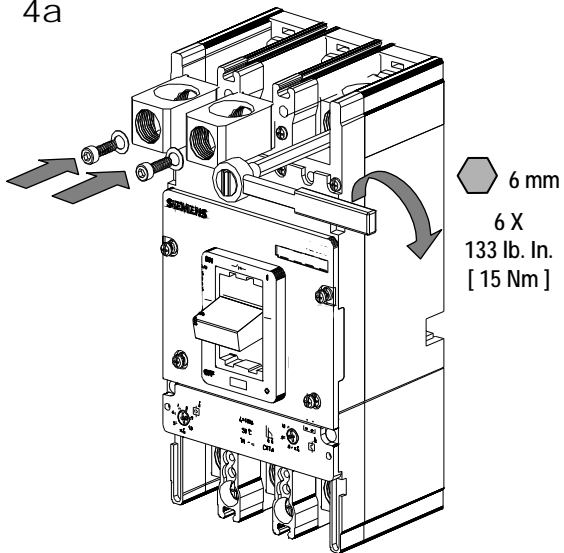
2



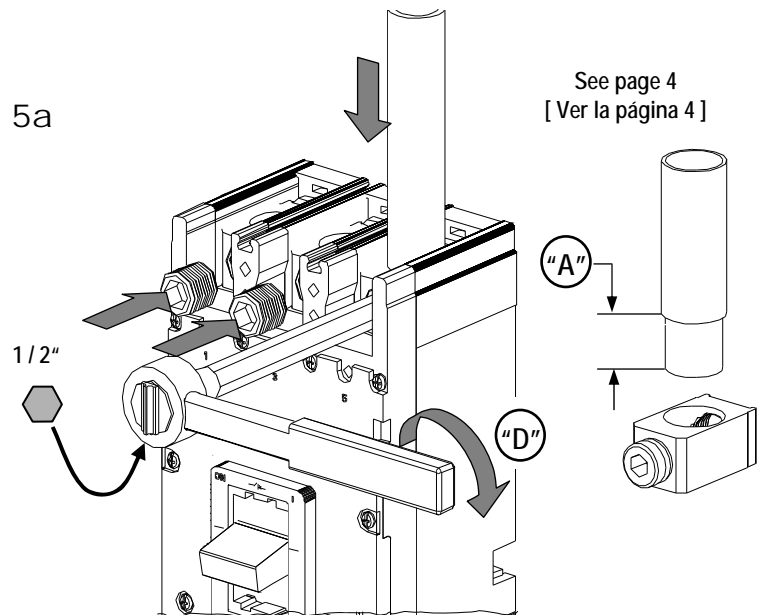
3



TA1JG750 / 3VL9475-4TD01  
3TA1JG750 / 3VL9475-4TD31  
4TA1JG750 / 3VL9475-4TD41  
TC1JG750 / 3VL9475-4TD11  
4a



5a





### **Danger**

**Hazardous Voltage.**  
Will cause death or serious injury.



Turn off and lock out all power supplying this device before working on this device.  
Replace all covers before power supplying this device is turned on.

### **Peligro**

**Tensión peligrosa.**  
Puede causar la muerte o lesiones graves.

Desenergice totalmente antes de instalar o darle servicio.  
Reemplace todas las barreras y cubiertas antes de energizar el interruptor.

### **Danger**

**Tension dangereuse.**  
Danger de mort ou risque de blessures graves.

Couper l'alimentation de l'appareil et barrer avant de travailler.  
Remplacez tous les couverts avant que l'alimentation de pouvoir soit alimenté.

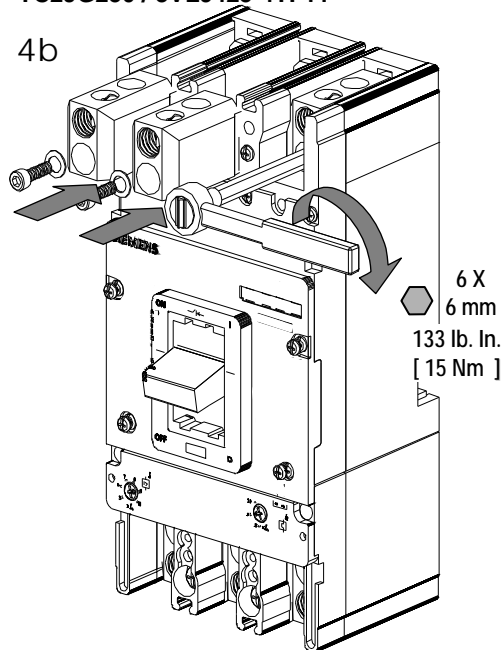
TA2JG250 / 3VL9425-4TF01

3TA2JG250 / 3VL9425-4TF31

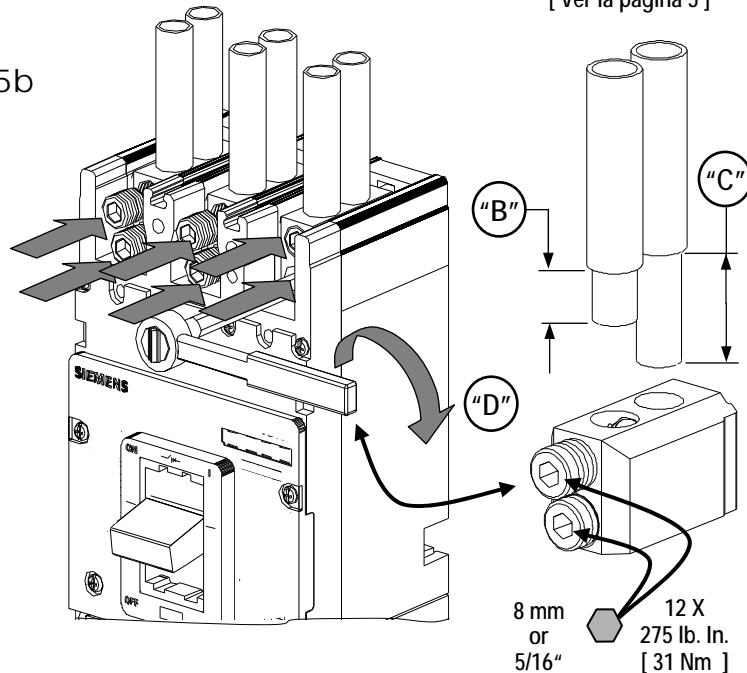
4TA2JG250 / 3VL9425-4TF41

TC2JG250 / 3VL9425-4TF11

4b



5b



2TA2LG600LD / 3VL9460-4TY21

3TA2LG600LD / 3VL9460-4TY31

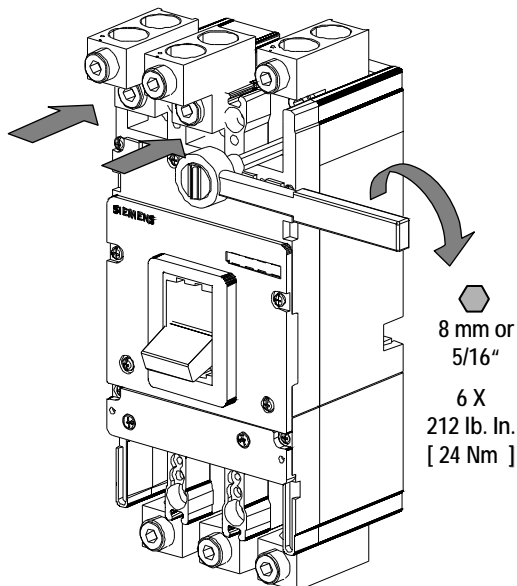
3TC2LG600LD / 3VL9460-4TY61

2TA2LG600LN / 3VL9460-4TX21

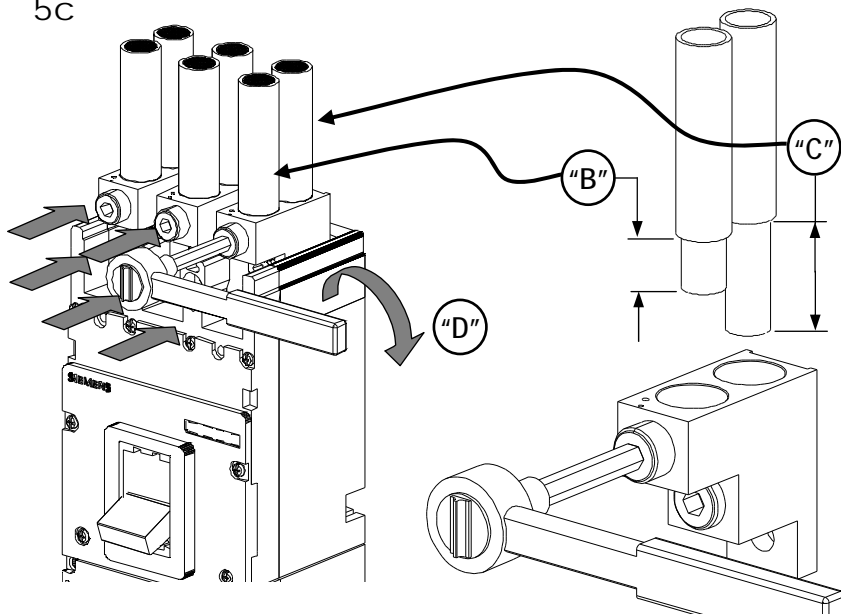
3TA2LG600LN / 3VL9460-4TX31

3TC2LG600LN / 3VL9460-4TX61

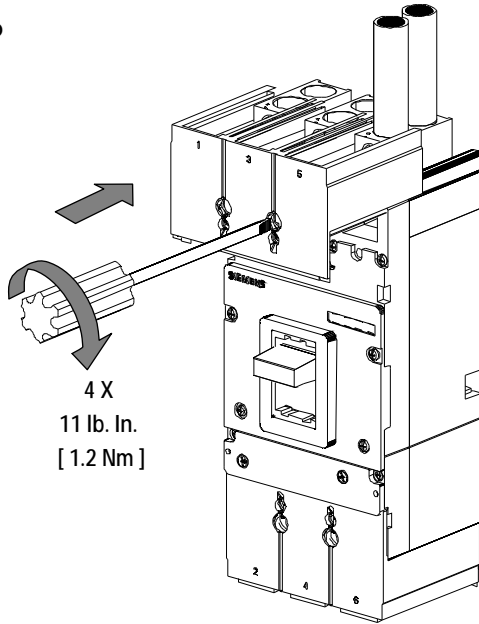
4c



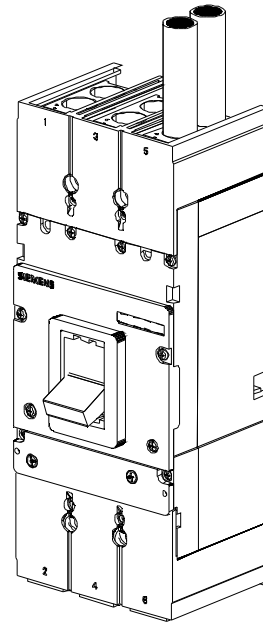
5c

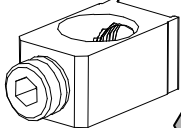




6



7



Wire Connector [ Conexión del cable ]	Wire Size [ Rango Cable ]	UL 486A - 486B Req. Wire Stranding ( Cable )		Torque [ esfuerzo de torsión ] "D"	Wire Strip Length [ Quitar ] "A"
		CU / AL Class B	CU Class C		
 1/2" TA1JG750 / 3VL9475-4TD01 3TA1JG750 / 3VL9475-4TD31 4TA1JG750 / 3VL9475-4TD41	Cu 3/0 - 4/0 AWG [ 95 mm <sup>2</sup> ]	19 STRANDS	37 STRANDS	275 lb. in. [ 31 Nm ]	 1.06" [ 27 mm ]
	Al 250 kcmil [ 120mm <sup>2</sup> ]	37 STRANDS	-		
	Cu 250 kcmil [ 120 mm <sup>2</sup> ]	37 STRANDS	61 STRANDS		
	Al 300 - 500 kcmil [ 185 mm <sup>2</sup> ]	37 STRANDS	-	500 lb. in. [ 56 Nm ]	
	Cu 300 - 500 kcmil [ 185 mm <sup>2</sup> ]	37 STRANDS	61 STRANDS		
	Al 600 - 750 kcmil [ 240 - 300 mm <sup>2</sup> ]	61 STRANDS	-		
	Cu 600 kcmil [ 240 - 300 mm <sup>2</sup> ]	61 STRANDS	91 STRANDS		
 1/2" TC1JG750 / 3VL9475-4TD11	Cu Only 3/0 - 4/0 AWG [ 95 mm <sup>2</sup> ]	19 STRANDS	37 STRANDS	275 lb. in. [ 31 Nm ]	
	Cu Only 250 kcmil [ 120 mm <sup>2</sup> ]	37 STRANDS	61 STRANDS	500 lb. in. [ 56 Nm ]	
	Cu Only 300 - 500 kcmil [ 150 - 185 mm <sup>2</sup> ]	37 STRANDS	61 STRANDS		
	Cu Only 600 kcmil [ 240 - 300 mm <sup>2</sup> ]	61 STRANDS	91 STRANDS		

**Danger**

Hazardous Voltage.  
Will cause death or serious injury.



Turn off and lock out all power supplying this device before working on this device.  
Replace all covers before power supplying this device is turned on.

**Peligro**

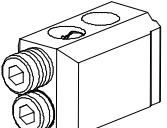
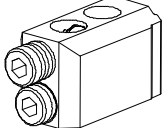
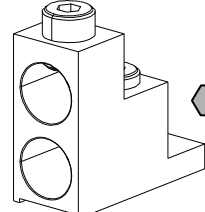
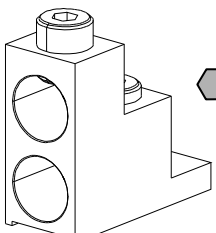
Tensión peligrosa.  
Puede causar la muerte o lesiones graves.

Desenergice totalmente antes de instalar o darle servicio.  
Reemplace todas las barreras y cubiertas antes de energizar el interruptor.

**Danger**

Tension dangereuse.  
Danger de mort ou risque de blessures graves.

Couper l'alimentation de l'appareil et barrer avant de travailler.  
Remplacez tous les couverts avant que l'alimentation de pouvoir soit alimenté.

Wire Connector [ Conexión del cable ]	Wire Size [ Rango Cable ]	UL 486A - 486B Req. Wire Stranding ( Cable )		Torque [ esfuerzo de torsión ]  "D"	Wire Strip Length [ Quitar ]
		CU / AL Class B	CU Class C		
 8 mm OR 5/16" TA2JG250 / 3VL9425-4TF01 3TA2JG250 / 3VL9425-4TF31 4TA2JG250 / 3VL9425-4TF41	Cu / Al 3/0 - 4/0 AWG [ 95 mm <sup>2</sup> ]	19 STRANDS	37 STRANDS	275 lb. in. [ 31 Nm ]	"B" .71" [ 18 mm ]
	Cu / Al 250 kcmil [ 120 mm <sup>2</sup> ]	37 STRANDS	61 STRANDS		
 8 mm OR 5/16" TC2JG250 / 3VL9425-4TF11	Cu Only 3/0 - 4/0 AWG [ 95 mm <sup>2</sup> ]	19 STRANDS	37 STRANDS		"C" 1.46" [ 37 mm ]
	Cu Only 250 kcmil [ 120 mm <sup>2</sup> ]	37 STRANDS	61 STRANDS		
 8 mm or 5/16" 2TA2LG600LD / 3VL9460-4TY21 3TA2LG600LD / 3VL9460-4TY31 2TA2LG600LN / 3VL9460-4TX21 3TA2LG600LN / 3VL9460-4TX31	Cu / Al 2 AWG [ 35 mm <sup>2</sup> ]	7 STRANDS	19 STRANDS	375 lb. in. [ 42.4Nm ]	"B" 1.0" [ 25.4 mm ]
	Cu / Al 1 - 4/0 AWG [ 50 - 95 mm <sup>2</sup> ]	19 STRANDS	37 STRANDS		
	Cu / Al 250 - 500 kcmil [ 120 - 185 mm <sup>2</sup> ]	37 STRANDS	61 STRANDS		
	Cu / Al 600 kcmil [ 240 - 300 mm <sup>2</sup> ]	61 STRANDS	91 STRANDS		
 8 mm or 5/16" 3TC2LG600LD / 3VL9460-4TY61 3TC2LG600LN / 3VL9460-4TX61	Cu Only 2 AWG [ 35 mm <sup>2</sup> ]	7 STRANDS	19 STRANDS	"C" 1.97" [ 50 mm ]	
	Cu Only 1 - 4/0 AWG [ 50 - 95 mm <sup>2</sup> ]	19 STRANDS	37 STRANDS		
	Cu Only 250 - 500 kcmil [ 120 - 185 mm <sup>2</sup> ]	37 STRANDS	61 STRANDS		
	Cu Only 600 kcmil [ 240 - 300 mm <sup>2</sup> ]	61 STRANDS	91 STRANDS		

**For Support in Europe refer to :**

Bestell-Nr. / Order No.: 3ZX1012-0VL68-5AA4

Internet: [www.siemens.de/lowvoltage/technical-assistance](http://www.siemens.de/lowvoltage/technical-assistance)

GWA 4NEB 179 6874-10 DS 05

Technical Support:

Toll Free: 1-800-241-4453

Internet: [www.usa.siemens.com/powerdistribution](http://www.usa.siemens.com/powerdistribution)

Subject to change without prior notice  
Siemens Industry, Inc., Norcross, GA 30092 U.S.A.