


Installation Instructions



⚠ DANGER

Hazardous voltage. Will cause death or serious injury.

Turn off and lock out all power supplying the circuit breaker prior to cover(s) removal or while cover(s) are removed and when installing any internal or external accessory.

Replace the cover(s) and shield(s) before power supplying this device is turned on.



SAFETY INSTRUCTIONS

GENERAL:

The Sensitrip Ammeter Display Unit Remote Mounting Kit (SADURMK18) is a panel mounted device for use with the Sentron Sensitrip III Molded Case Circuit Breaker (MCCB) series. This device is to be used in conjunction with the Sensitrip Ammeter Display Unit (SADU).

The SADURMK18 extends the SADU mounting versatility yet keeping all electrical connections within the switchboard or panel.

NOTE: The maximum distance allowed between breaker and SADURMK18 is 30 inches.

Installation:

- 1) Install battery per installation instructions supplied with SADU (801372) and discard all hardware supplied with SADU.
- 2) Remove screws (A), washers (B) and screws (C). See figure 1.
- 3) Slide Cover and Base apart. See figure 2.
- 4) Remove screw (D), washer (E) and lockwasher (F). See figure 2.
- 5) Connect ribbon cable on SADU to connector on SADURMK18 Base. See figure 3.

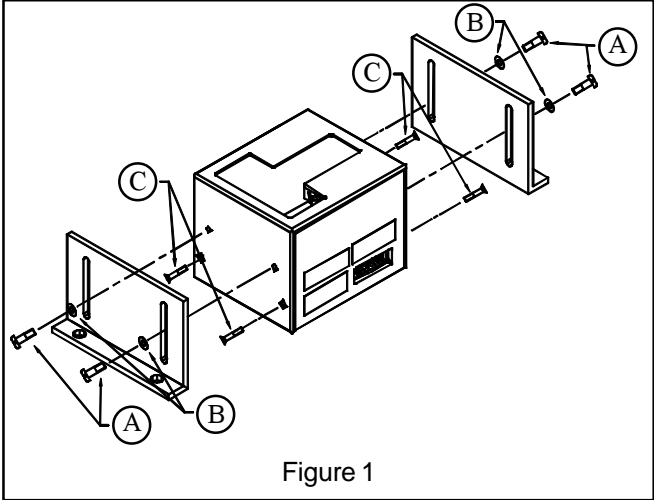


Figure 1

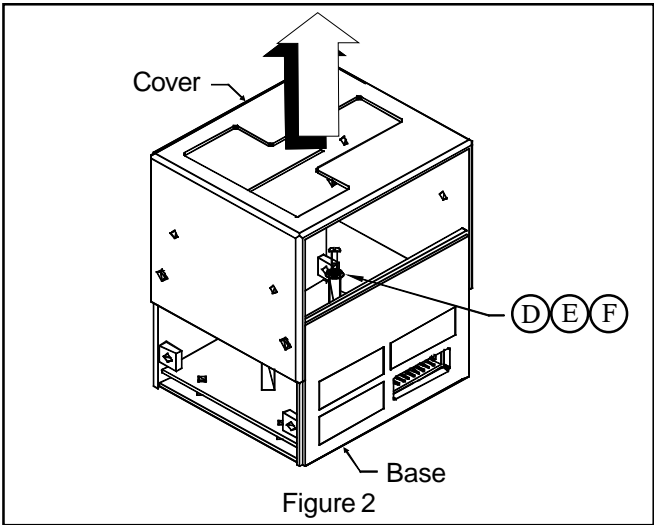


Figure 2

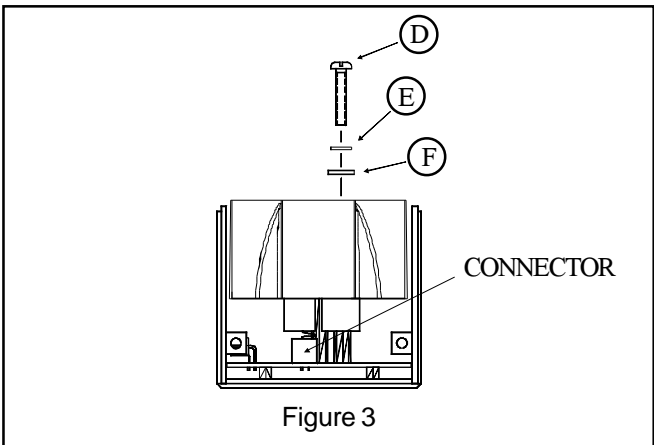
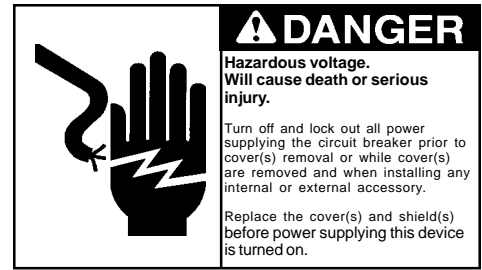


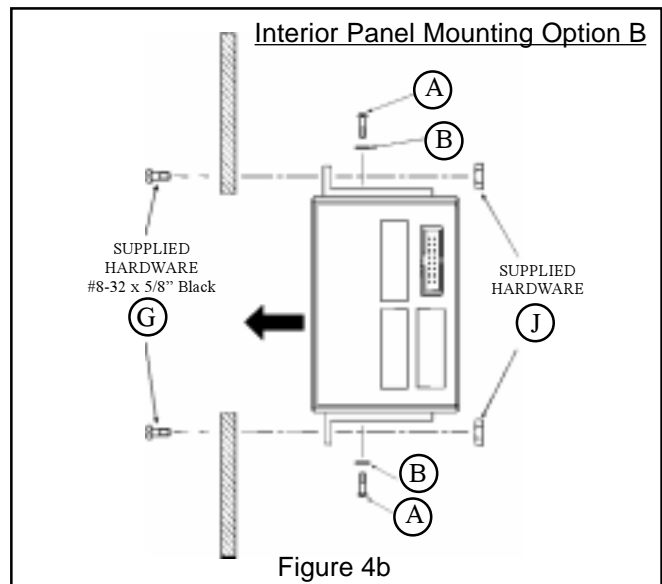
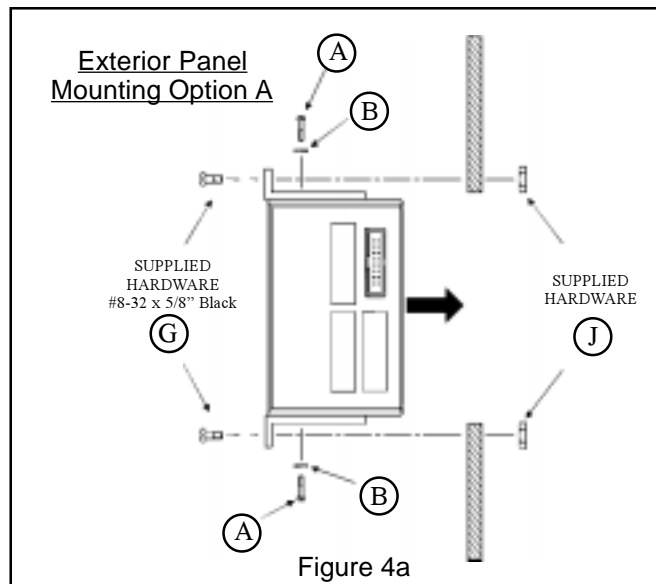
Figure 3

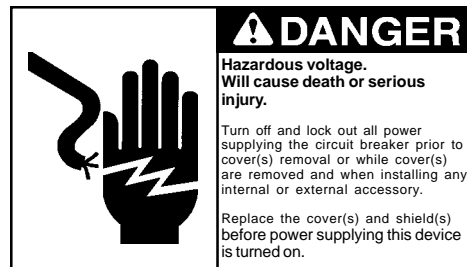


Installation Instructions

- 6) Fasten SADU to remote mounting kit with screw (D), washer (E) and lockwasher (F). See figure 3.
- 7) Align grooves on Cover with Base and slide together.
- 8) Secure Cover and Base together with screws (C).
- 9) The SADURMK18 can be panel-mounted or wall mounted. Go to step 10 for panel mounting and step 15 for wall mounting.
- 10) Panel mounting can be installed either exterior or interior of the switchgear. See figures 4a and 4b. Secure the mounting brackets with screws (A) and washers (B) as shown for either mounting option a or b.
- 11) Cut opening in panel and drill mounting holes. See template figure 6.
- 12) Position assembly in panel cut-out and secure with supplied #8-32 x 5/8" black screws (G) and #8 nuts (J).
- 13) If Expansion Plug (Cat. No. EP) is to be installed, attach EP to back or side of SADURMK18. Remove label on side of SADURMK18 to expose connector. Connect EP cable to expansion plug connector on SADURMK18. The maximum length EP cable is 6 inches. **Only use catalog number EPC06.**
- 14) Remove test connector cover on trip unit and connect supplied ribbon cable from SADURMK18 to trip unit test connector.

PANEL MOUNTING



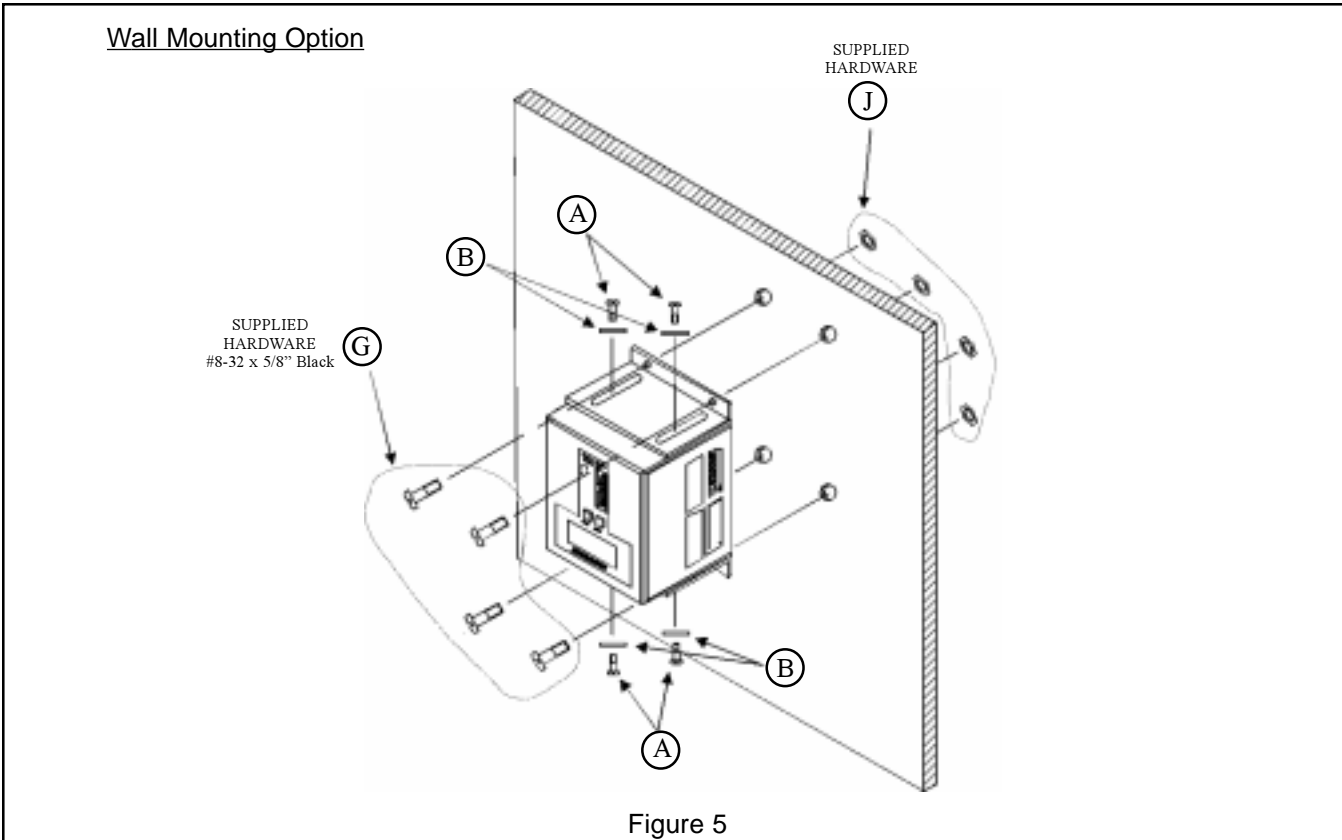


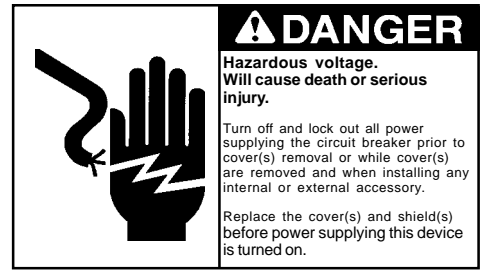
Installation Instructions

WALL MOUNTING

- 15) Drill holes in panel. See template figure 6.
- 16) Secure the mounting brackets with screws (A) and washers (B) per figure 5.
- 17) Position assembly on panel and secure with supplied #8-32 x 5/8" black screws (G) and #8 nuts (J).
- 18) If Expansion Plug (Cat. No. EP) is to be installed, attach EP to back or side of SADURMK18. Remove label on side of SADURMK18 to expose connector. Connect EP cable to expansion plug connector on SADURMK18. The maximum length EP cable is 6 inches. **Only use catalog number EPC06.**
- 19) Connect supplied ribbon cable from SADURMK18 to trip unit test connector.

NOTE: When testing circuit breaker with TS-31 test set, remove SADURMK18 ribbon cable at trip unit and connect TS-31 ribbon cable directly into trip unit. Replace SADURMK18 ribbon cable after testing is completed.





Installation Instructions

PANEL CUT-OUT AND HOLE TEMPLATE FOR SENSITRIP AMMETER REMOTE MOUNTING KIT

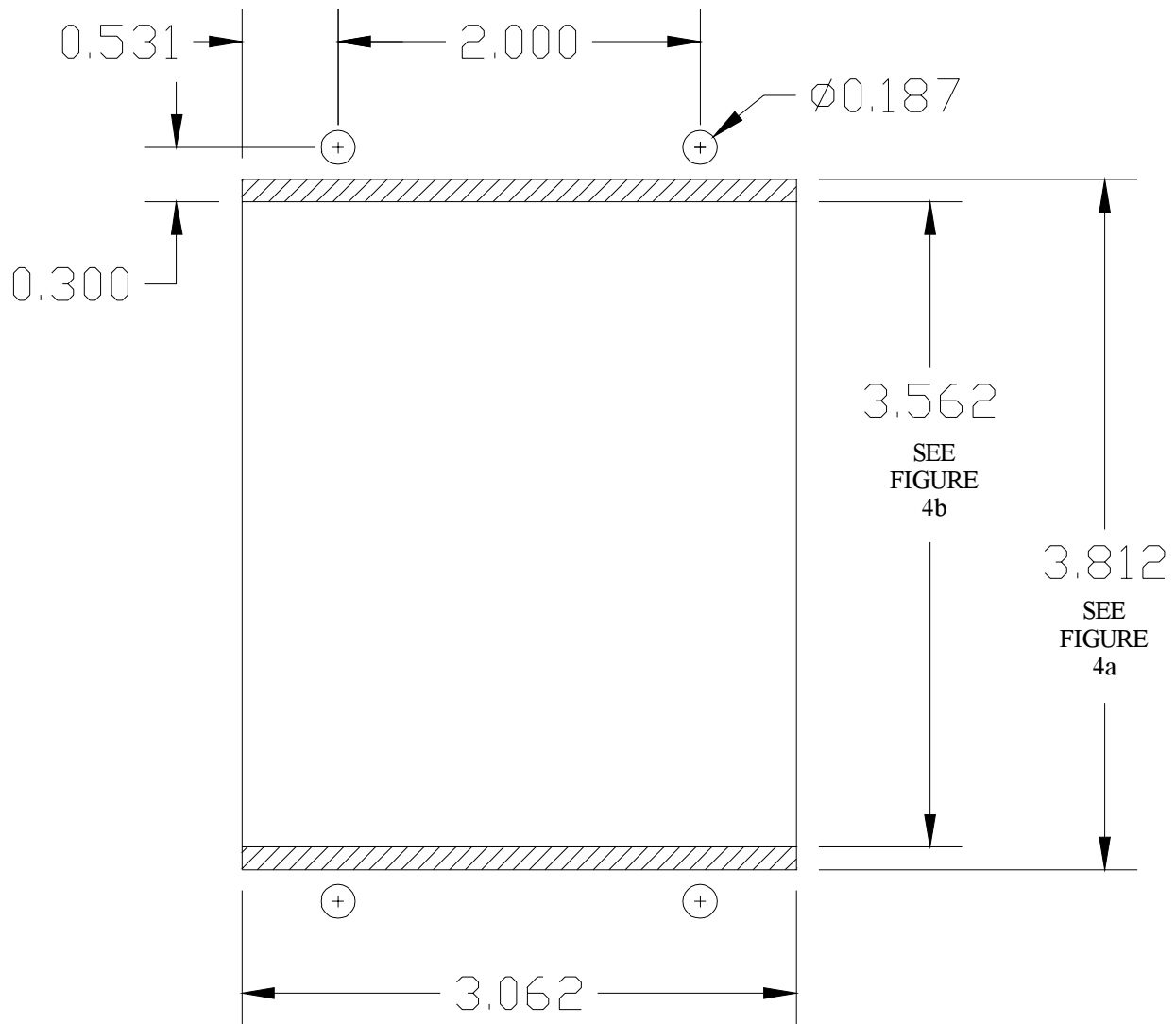


Figure 6

All dimensions in inches