


Installation Instructions



⚠ DANGER

Hazardous voltage.
Will cause death or serious injury.

Turn off and lock out all power supplying device before removing cover(s) or device and while cover(s) are removed.

Wire connector shield No. NDTS must be installed when wire connectors TA2K8750, TA3P8750, TA4P8500, TA2N8750, TA3N8750, or TA4N8500 are used.

Replace all covers and shields before power supplying this device is turned on.



SAFETY INSTRUCTIONS

NOTE: This instruction outlines the recommended installation procedure.

To install catalog #NDTS on MD, ND, MM & NM breakers, motor circuit interrupters and molded case switches

1. Remove terminal cover(s) from circuit breaker.
2. Attach wire connectors or bus to circuit breaker per instruction included with accessory. Wire must extend 4 inches from lug before bending, where used. Wire Connector Shield No. NDTS must be installed, when wire connectors TA2K8750, TA3P8750, TA4P8500, TA2N8750, TA3N8750, or TA4N8500 are used.
3. Slide Wire Connector Shield into place on end of circuit breaker, as shown.
4. Replace terminal cover on circuit breaker. The two tabs on the wire connector shield should fit into the notches in the terminal cover. Tighten (2) 6-32 screws securely. Wire connector shield should be held securely when properly installed.
5. Circuit breaker is now ready for use.

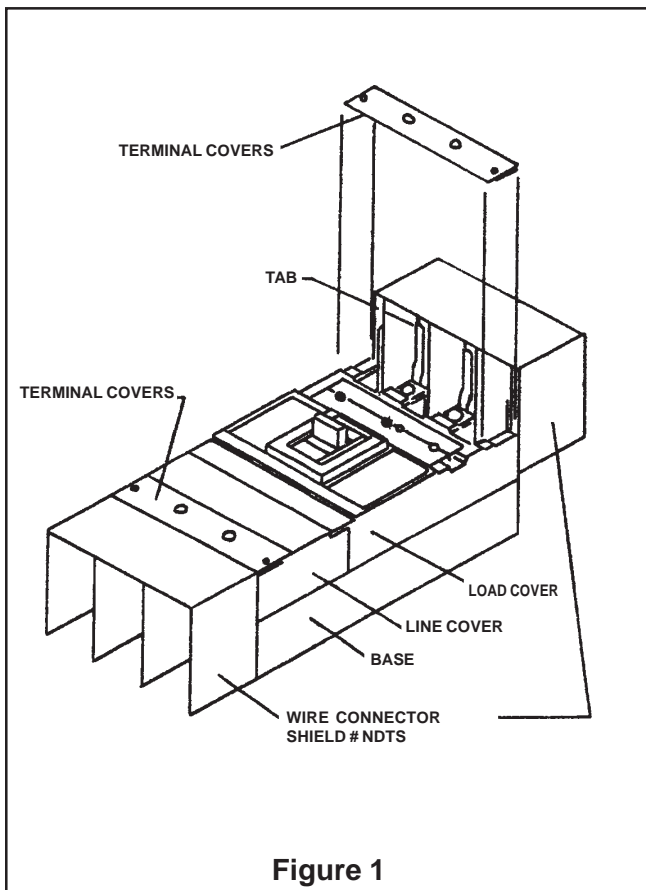


Figure 1