


Installation Instructions



⚠ DANGER

Hazardous voltage. Will cause death or severe injury.

Turn off and lock out all power before working on the circuit breaker.

Replace the covers and shields before power supplying the circuit breaker is restored.

⚠ SAFETY INSTRUCTIONS

NOTE: This instruction sheet outlines the recommended installation procedure. The term circuit breaker used in these instructions also includes motor circuit interrupters and molded case switches.

APPLICATION INFORMATION			
No. Poles	Vertical Bus	Horizontal Bus	Mounting Plate
2	PC5664	PC5665	PL9699
3	PC5666	PC5667	PL9699
3	PM5666		PL9699

ALL ADAPTORS ARE SUITABLE FOR LINE OR LOAD END USE.

GENERAL

A complete plug-in installation requires an adaptor for both the line and load end of the circuit breaker, associated hardware and one switchboard mounting plate. The switchboard mounting plate is optional and can be replaced by other mounting means to suit requirements.

MOUNTING PREPARATION: Figs. 1 & 2

1. Turn off and lock out all power supplying this device before installing or servicing.
2. If the switchboard mounting pan (1) is to be used, provide required drilling as shown in Fig. 1.
3. If other mounting means are to be used, provide the cutouts and drilling required to mount the adaptor blocks as shown in Fig. 2.

SWITCHBOARD MOUNTING PLATE (If Used): Fig. 3

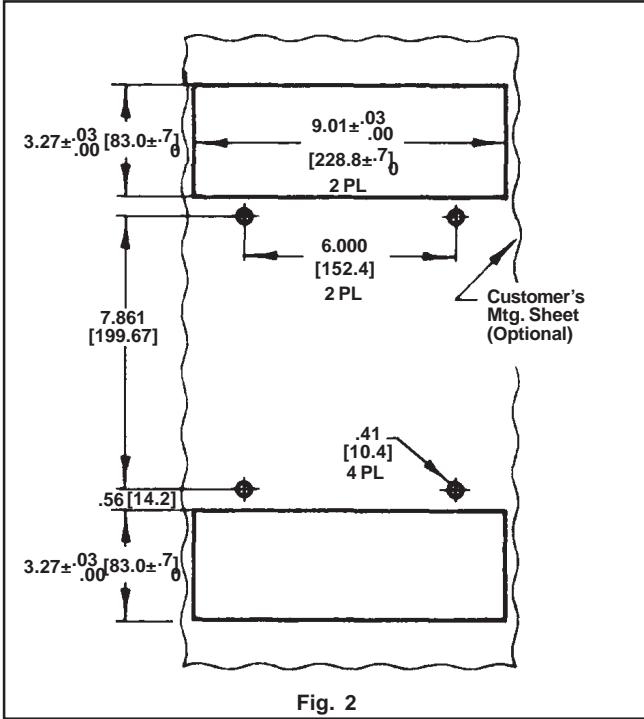
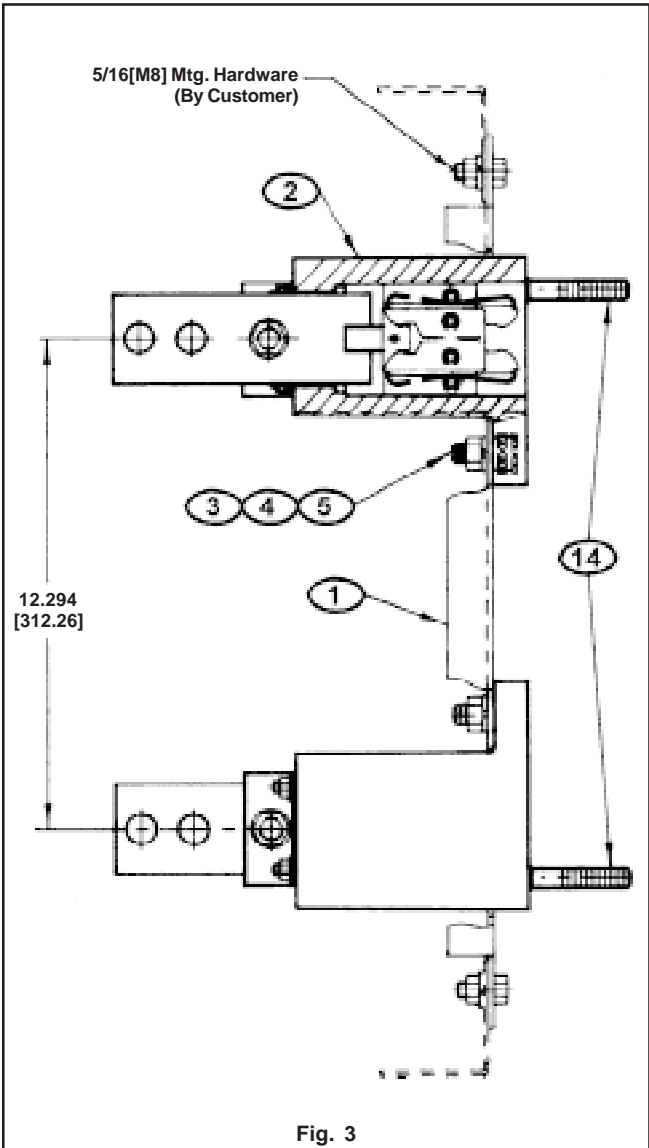
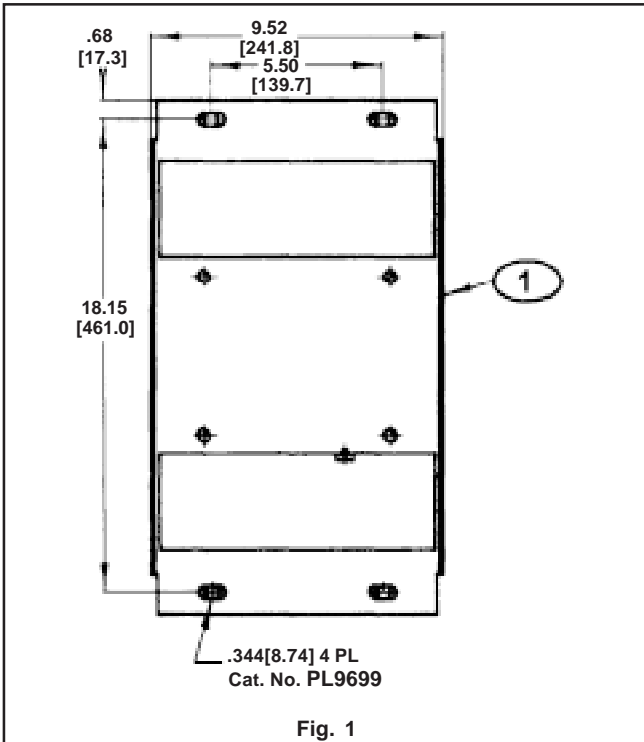
4. Place switchboard mounting pan (1) in position at location previously prepared in Step 2 above. Secure in place with 5/16"[M8] hardware (hardware furnished by customer).

MOUNTING BLOCK: Fig. 3

5. Align adaptor assembly (2) with cutouts in switchboard mounting plate (or customer's mounting means as previously prepared in Step 3 above) and secure in place with 3/8 flatwashers (3), lockwashers (4), and 3/8-16 hex nuts (5) furnished. Tighten to 216 In.-Lbs.(18 Ft.-Lbs.)[24.40 N/m].



Installation Instructions



Dimensions
Inches [Millimeters]



Installation Instructions

BREAKER PREPARATION: Fig. 4

CAUTION: Make certain that breaker operating handle is in the **OFF** or **TRIPPED** position before proceeding.

6. Loosen four breaker terminal shields screws (6) and remove both line and load side terminal shields (7).
7. Place terminal stabs (8) on back of breaker in recess provided in base molding. Secure in place with 5/16-18 hex head bolts (11)
8. **INSERT END SHIELDS (12) INTO SLOTS PROVIDED AT LINE AND LOAD END OF BREAKER.**
9. Affix label (13) to front of circuit breaker as shown in Fig. 4.

furnished. Tighten these bolts to 96 In.-Lbs. (8 Ft.-Lbs.) [10.84 N/m] to assure a good electrical connection. Repeat this procedure for the remaining terminals.

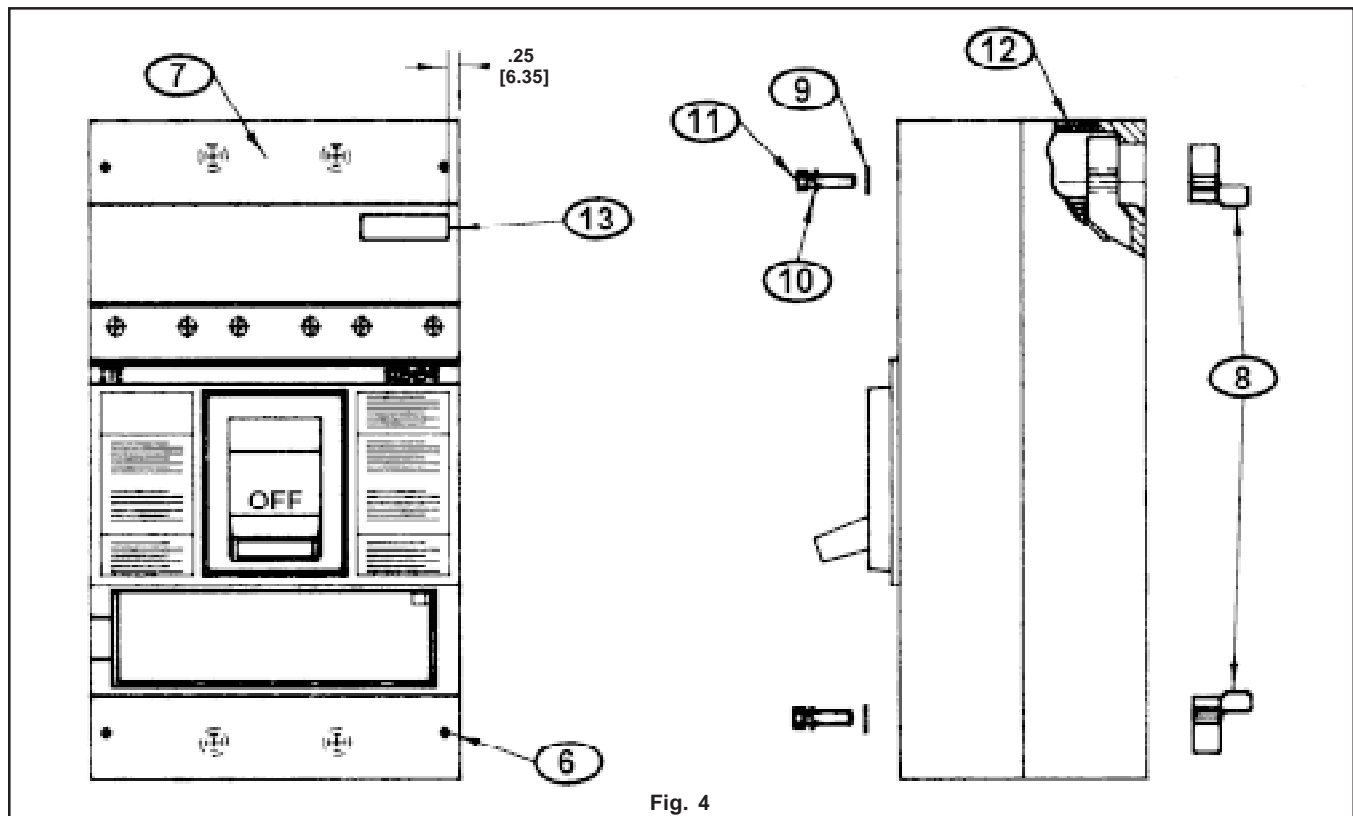


Fig. 4

Dimensions
Inches
[Millimeters]



Installation Instructions

FINAL ASSEMBLY : Fig. 5

10. Make bus connection to mounting block studs in accordance with panelboard specifications.
11. Position breaker over the terminal blocks studs (14). Install each of the four slotted 3/8-16 X 1 1/4 In. long circuit breaker mounting nuts (15). Tighten these nuts uniformly so that the breaker remains parallel with the mounting surface, forcing the circuit breaker terminal stabs into their respective mounting block finger clusters. Torque these nuts to 216 In.-Lbs.[24.40 N/m].
12. Replace breaker terminal shields (7) and secure with four breaker terminal shield screws (6). Tighten to 12 In.-Lbs. (1 Ft.-Lbs.)(1.36 N/m)
13. If installation requires use of front panel trim, provide cutout for breaker escutcheon as shown in Fig. 6.

Dimensions
Inches [Millimeters]

