


Siemens Energy & Automation, Inc.  
Bellefontaine, Ohio 43311 U.S.A.

For questions call 1-800-241-4453 or our web site:  
<http://www.sea.siemens.com/dpd>

## Installation Instructions

	<b>⚠ DANGER</b>
	<p><b>Hazardous voltage. Will cause death or severe injury.</b></p> <p>Turn off and lock out all power supplying this device before removing cover(s) or device and while cover(s) are removed.</p> <p>Replace all covers and shields before power supplying this device is turned on.</p>

	<b>SAFETY INSTRUCTIONS</b>
---	----------------------------

NOTE: This instruction outlines the recommended installation procedure.

### INTRODUCTION

The JM and LM Frame circuit breaker line includes JM6 and LM6 circuit breaker types. These circuit breakers are rated for operating voltages up to 600 VAC, 50/60 Hz.

### INSTALLATION

JM and LM Frame circuit breakers are for use in individual enclosures, panelboards, switchboards or other approved equipment.

The installation procedure consists of inspecting, attaching required accessories, mounting the circuit breaker and connecting and torquing the line and load wire connectors.

Mounting hardware and unmounted wire connectors (where required) are available as separate catalog items.

A. Turn off and lock out all power before installing or servicing this circuit breaker.

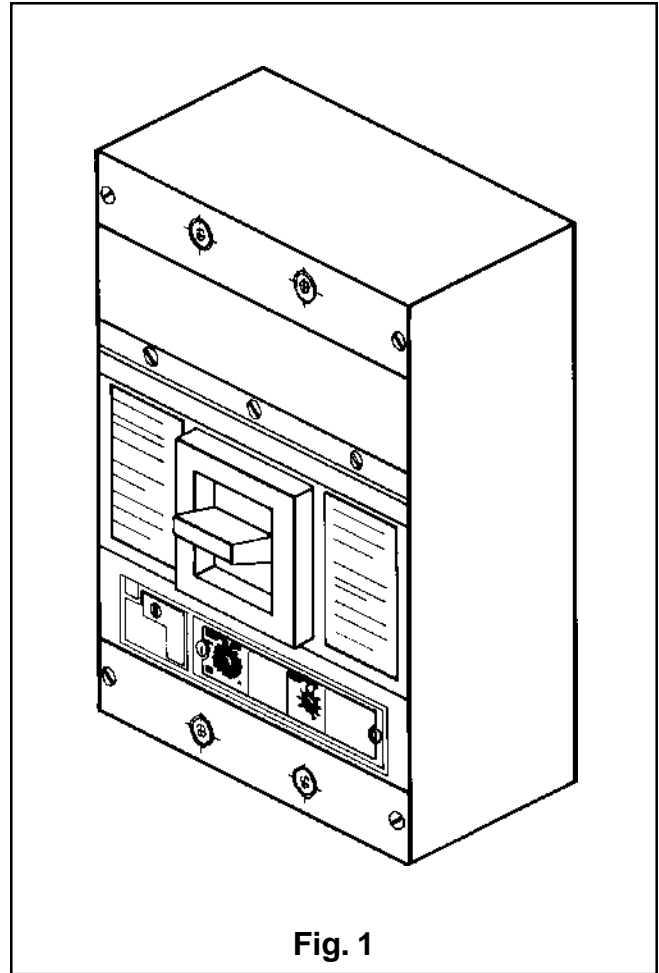
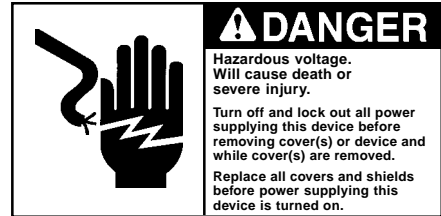


Fig. 1

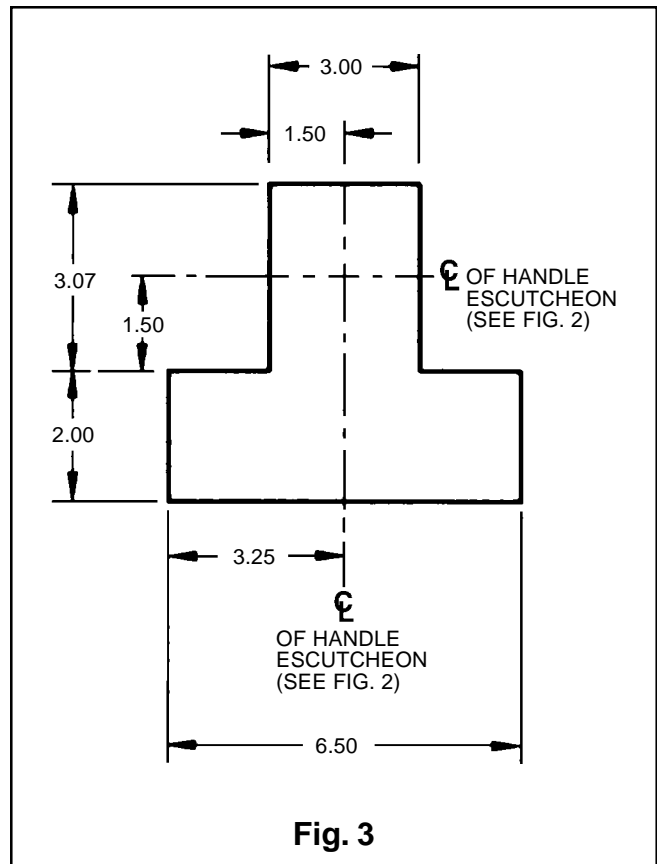
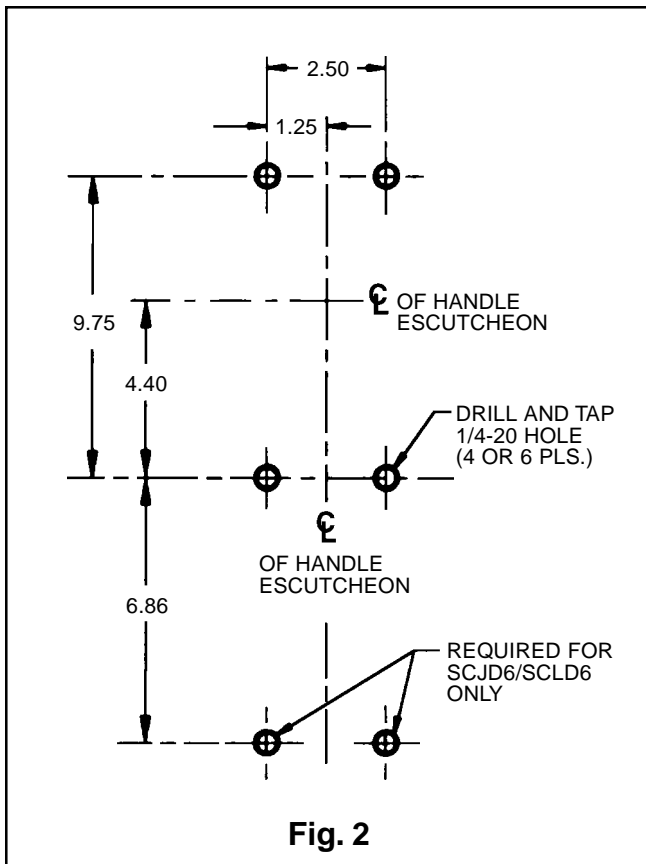
- B. Make sure that the device is suitable for the installation by comparing nameplate ratings with system requirements. Inspect the circuit breaker for completeness and check for any damage before mounting.
- C. Device must be in "TRIPPED" or "OFF" position prior to mounting. See Fig. 4.

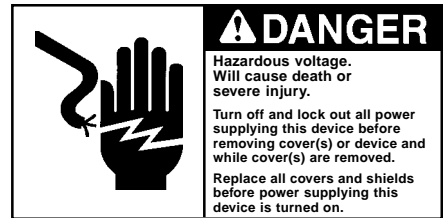


# Installation Instructions

D. To mount the device perform the following steps:

1. For individual enclosures, panelboards and switchboards manufactured by Siemens Energy & Automation, Inc., follow the instructions provided with this equipment.
2. For those applications where mounting is on a flat surface of the customers equipment, drill and top mounting bolt holes according to the drilling plan in Fig. 2. For escutcheon cut out plans refer to Fig. 3.
3. If device contains internal accessories, make sure terminals can be connected when the circuit breaker is mounted.
4. Remove the line and load terminal shields (see Fig. 4) by loosening the shield screws that attach them to the circuit breaker.
5. Position the circuit breaker on the mounting surfaces, install the mounting hardware and tighten securely.
6. After mounting the circuit breaker, the line and load terminal accessory terminals should be connected.
7. After the circuit breaker is installed, check all mounting hardware for secureness. Check wire connectors for correct torque requirements. Torque values for line and load connectors are provided on the circuit breaker nameplate.





# Installation Instructions

## MANUAL OPERATION

Manual operation of the circuit breaker is controlled by the circuit breaker handle and the PUSH-TO-TRIP button. The circuit breaker handle has three indicating positions, two of which are molded into the handle to indicate ON and OFF. The third position indicates a TRIP position and is between the ON and OFF positions. (See Fig. 4)

- A. **Circuit Breaker Reset**  
After tripping, the circuit breaker is reset by moving the circuit breaker handle to the reset position and then moving the handle to the ON position.
- B. **The PUSH-TO-TRIP Button**  
The PUSH-TO-TRIP button checks the tripping function and is used to manually exercise the operating mechanism.

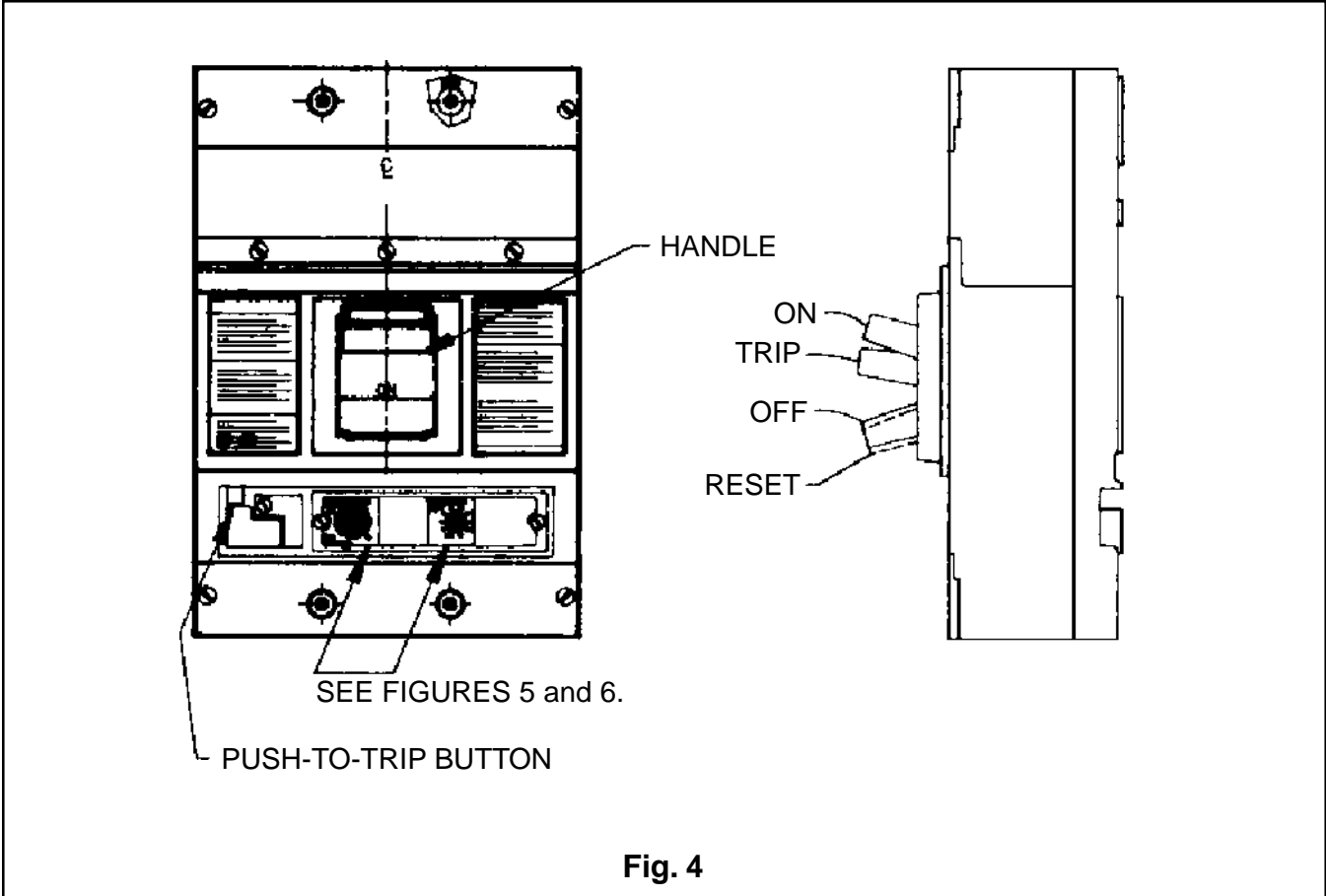
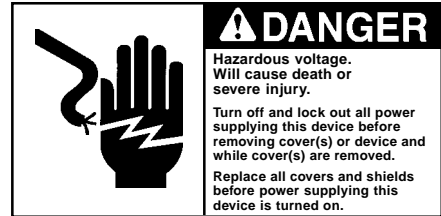


Fig. 4



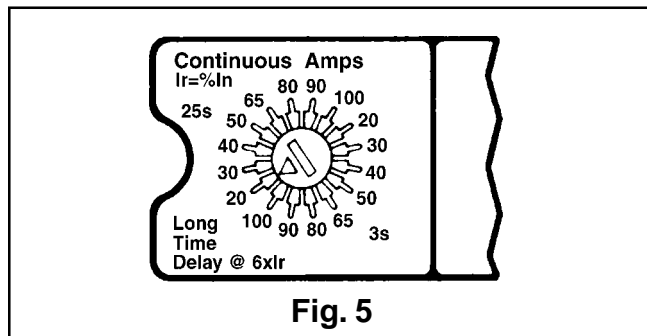
# Installation Instructions

## ELECTRONIC OPERATION

The setting dials on the face of the electronic trip unit are rotary switches that must be properly set to mechanical detent (click stop) positions. An improper switch setting will cause the trip unit to default (as a fail safe condition) to the lowest permissive setting and, consequently, may result in unintentional or nuisance tripping.

### Continuous Current (Ir) and Long Time Delay

All models have a Continuous Current and Long Time Delay adjustment. This single knob adjusts the Continuous Current setting of the circuit breaker and sets the Long Time Delay. This setting (Ir) is a percentage of the Maximum Continuous Current rating (In). Two long time delay settings are available. These are delay times of 3 seconds or 25 seconds at 6 times the Continuous Current Setting (Ir). These are selected by using the appropriate area of the setting. See Figure 5.

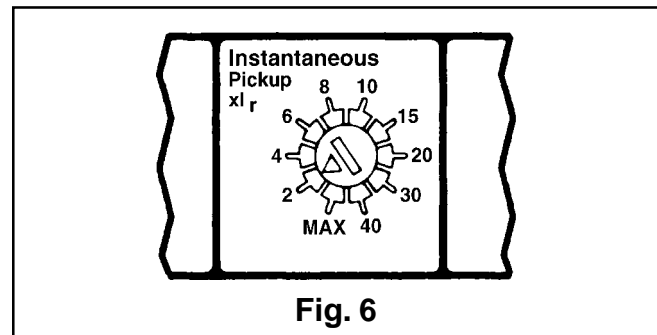


**Fig. 5**

### Instantaneous Pickup

All models have an Instantaneous Pickup adjustment. This adjustment sets the Instantaneous Pickup of the circuit breaker. The settings are multiples of the Continuous Current Setting (Ir).

These devices have a fixed instantaneous override of approximately 10.5 times the Maximum Continuous Current rating (In) of the circuit breaker. When set to "MAX" the Instantaneous Pickup defaults to the instantaneous override value. See Figure 6.



**Fig. 6**

### Maintenance

JM and LM frame circuit breakers are designed to provide years of maintenance free service. Experience has shown that properly applied molded case circuit breakers normally do not require maintenance. However, some industrial users may choose to establish an inspection and maintenance procedure to be carried out on a regular basis. For detailed information, consult applicable NEMA publication or your local Siemens sales office.

**NOTE:** Do not spray or allow any petroleum based chemicals, solvents or paints to contact the molded parts or nameplates.