


## Installation Instructions

	<b>⚠ DANGER</b>
<p><b>Hazardous voltage. Will cause death or severe injury.</b></p> <p>Turn off and lock out all power supplying circuit breaker and motor operator before installing or servicing.</p>	

	<b>SAFETY INSTRUCTIONS</b>
-----------------------------------------------------------------------------------	----------------------------

**CATALOG NO'S: MOF6120, MOF6120L  
MOF6240, MOF6240L  
MOJ6120, MOJ6120L  
MOJ6240, MOJ6240L**

### DESCRIPTION

The motor operated mechanism is designed to open, close and reset a circuit breaker or switch by remote control. The customer must supply the circuit breaker or switch, normally ON and OFF push-buttons, external wiring, a control power source, and all control logic. Consult the wiring diagram (Figure #3) for a typical control connection.

The motor operator is hinged for opening to the left or right dependent on catalog number designation. The "L" suffix is for the motor operator hinged to the left. No suffix is for the motor operator hinged to the right.

**NOTE:** For Automatic Reset Operation a separate auxiliary contact must be provided by the customer. See page 4 of 6 for more details.

MOTORS OPERATOR	FRAMES	FOR USE WITH: I-T-E® CIRCUIT BREAKERS AND SWITCH TYPES
MOF6120 MOF6120L MOF6240 MOF6240L	F6 FD6 FF	F6, HF6, FJ6, CLF, FXD6, FD6, HFD6, CFD6, SFD6, SHFD6, SCFD6, FFC, and FFF
MOJ6120 MOJ6120L MOJ6240 MOJ6240L	J6 JD6 L6 LD6 JF, LF	JD2, JJ6, JL6, HJ6, CLJ, LJ6, LL6, HL6, CLL, JXD2, JXD6, JD6, HJD6, CJD6, LXD6, LD6, HLD6, CLD6, SJL, SLL, SJD6, SHJD6, SCJD6, SHLD6, SCLD6, JFC, JFF, LFC, and LFF



# Installation Instructions

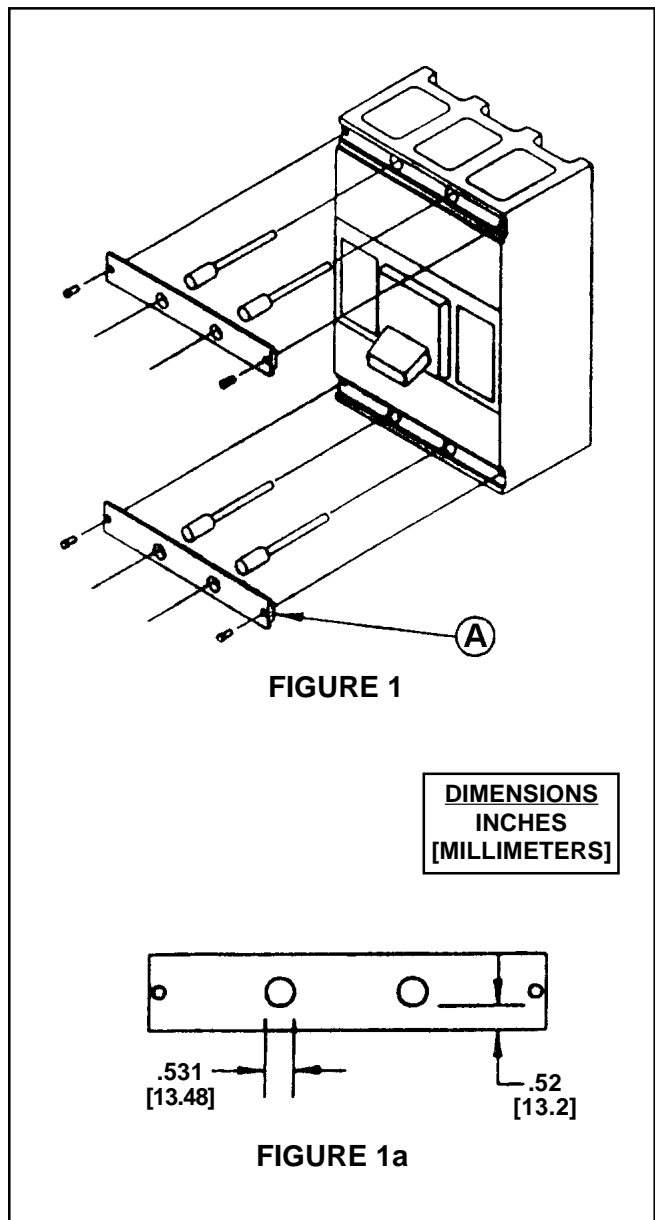
## INSTALLATION

1. Turn off and lock out all power supplying circuit breaker and motor operator before installation or servicing.
2. Attach the circuit breaker to its mounting surface using the mounting hardware supplied with the motor operator. (See Figures #1 and #2)

**NOTE:** On J6, JD6, L6, LD6, JF, & LF circuit breakers and switches, the following additional steps must be performed.

- 2.1 Remove the four shield screws and two lug shields (A). (See Figure #1)
- 2.2 For JD6, LD6, JF, & LF Frames, simply replace the shields with those provided with the motor operator and discard the shields which were removed.
- 2.3 For J6 and L6 Frames, drill or punch out the two 0.531" diameter knockouts and replace the shields. (See Figure #1a)

3. With its cover open, attach the motor operator to the circuit breaker using the spacers (Not used with F Frame) and screws provided. (See Figure #2)
4. To reclose cover, move bottom screw hole cover, align motor operator mechanism rollers and circuit breaker handle by rotating the lead screw with a screw driver (to the close cover position as shown by position indicator located on motor operator front). Lead screw access hole is at the bottom of motor operator. (See Figure #2)
5. Close and latch the mechanism cover.
6. reenergizing the breaker power terminals in accordance with the electrical operation.



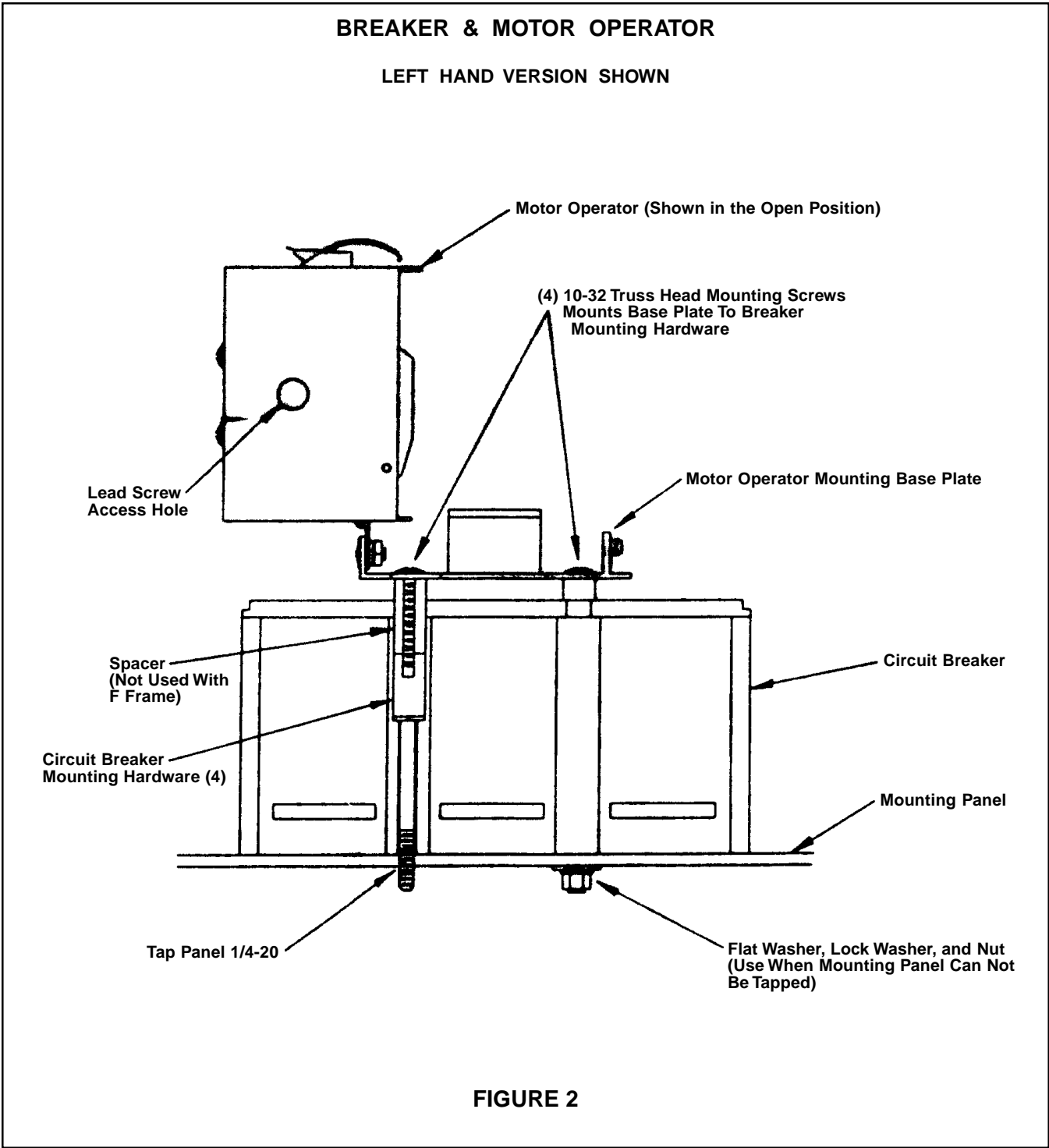
**FIGURE 1**

**DIMENSIONS**  
 INCHES  
 [MILLIMETERS]

**FIGURE 1a**

	<b>⚠ DANGER</b>
	<b>Hazardous voltage. Will cause death or severe injury.</b> Turn off and lock out all power supplying circuit breaker and motor operator before installing or servicing.

# Installation Instructions





# Installation Instructions

## ELECTRICAL OPERATION

**Electrical Characteristics Table**

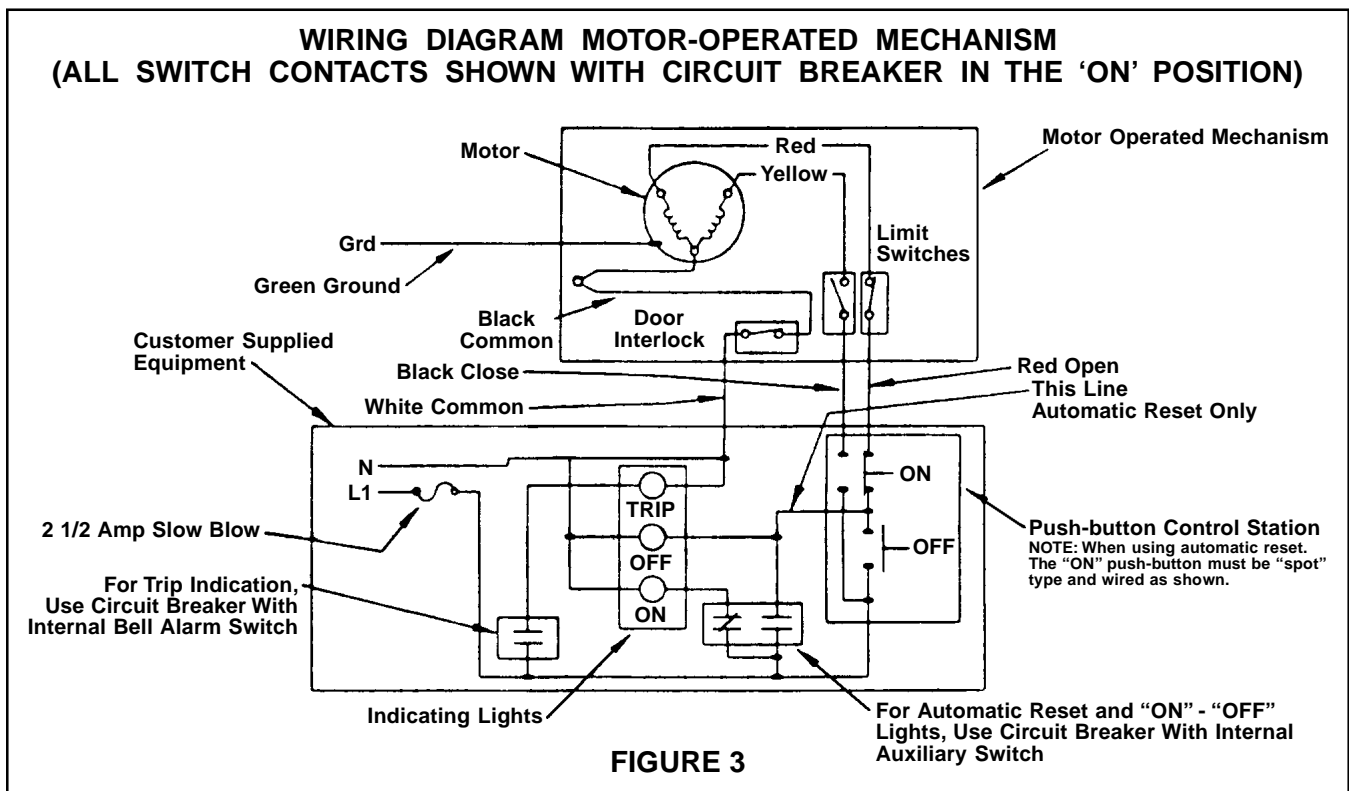
CAT.#	VOLTS	AMPS
MOF6120 MOF6120L	120 VAC	10.0 Amps in Rush 5.5 Amps in Running
MOF6240 MOF6240L	240 VAC	4.7 Amps in Rush 2.8 Amps in Running
MOJ6120 MOJ6120L	120 VAC	10.0 Amps in Rush 6.0 Amps in Running
MOJ6240 MOJ6240L	240 VAC	5.0 Amps in Rush 2.8 Amps in Running

Closing or Opening Time: 0.3 seconds

With the breaker and the operating mechanism in the OFF position, press the ON button to energize the motor. This action will close the breaker. When the breaker handle reaches the ON position, the motor circuit is disconnected by an internal limit switch.

With the breaker and the operating mechanism in the ON position, press the OFF button to energize the motor. This action will open the breaker. When the breaker handle reaches the OFF position, the motor circuit is disconnected by an internal limit switch.

When the circuit breaker trips automatically, there is no external indication that the breaker has tripped unless a separate bell alarm accessory (Contact Siemens for appropriate Catalog Number) is provided to energize a customer furnished warning device. After the circuit breaker trips automatically, it is necessary to press the OFF button to move the breaker handle to the reset position.





# Installation Instructions

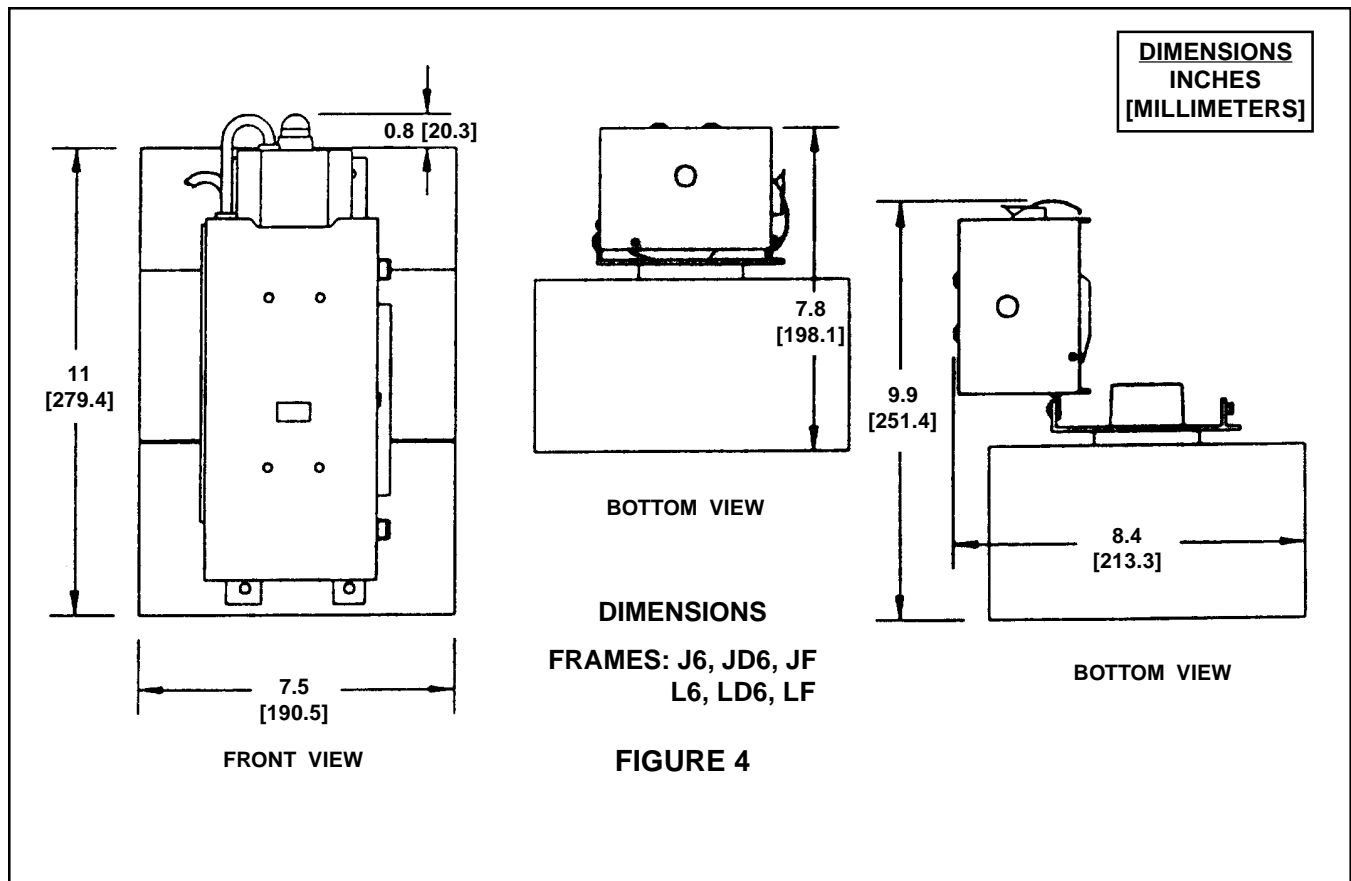
## AUTOMATIC RESET

For automatic reset, an auxiliary switch (Contact Siemens for appropriate Catalog Number) is used to return the breaker to the OFF/RESET position after it has been tripped. This auxiliary switch is mounted inside the breaker and wired in parallel with the OFF button. When the breaker trips, the auxiliary switch closes, thus energizing the motor circuit which moves the breaker to the OFF/RESET position.

After the motor operated mechanism has reset the breaker, the motor operator internal limit switch opens the circuit. To provide automatic reset, the ON push-button must be a single pole double throw device and it must be wired per Figure #3.

## MANUAL OPERATION

Operate the two cover latches and swing the hinged motor operator cover away from the breaker to expose the breaker handle. To return to electrical operation, follow the installation instructions on page 2 of 6, deleting steps 2 and 3. After operation checks are complete, restore to normal operation.





# Installation Instructions

