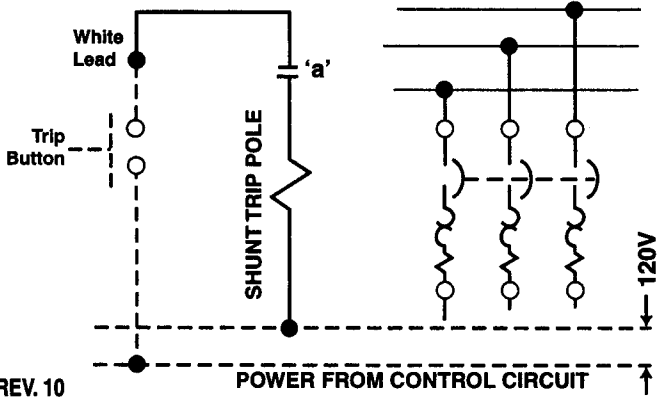
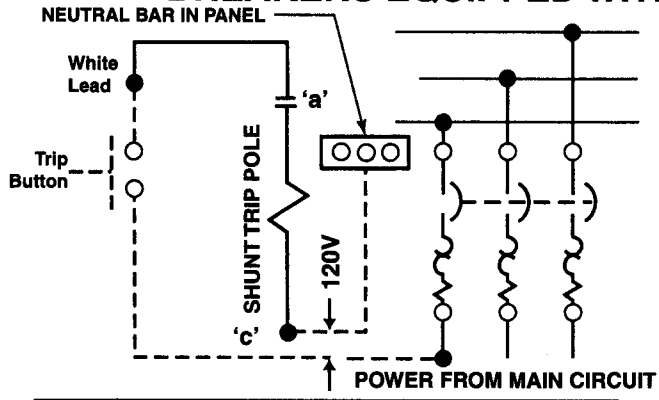


TYPICAL WIRING DIAGRAM FOR QP, BQ & BL CIRCUIT BREAKERS EQUIPPED WITH A SHUNT TRIP DEVICE.



REV. 10
NO. 111128A

Siemens Industry, Inc.

GENERAL NOTES:

1. The shunt trip device is provided with a series contact 'a'.
2. Diagram shown with the circuit breaker contacts and contact 'a' open. Closing the circuit breaker contacts closes contact 'a'.
3. 'c' is the wire terminal on the Shunt Trip Pole.
4. Dotted lines indicate wire and equipment supplied by the customer.

Norcross, GA 30092, USA.