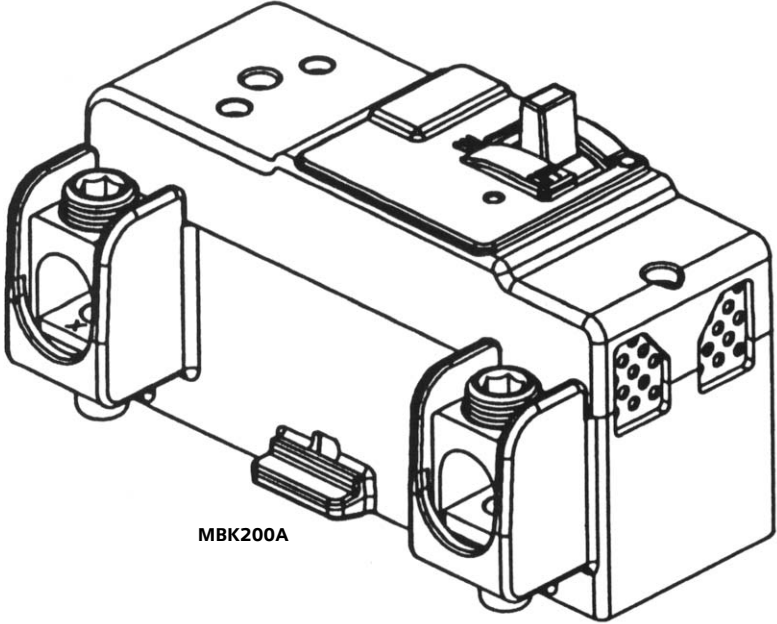


EQ8693, EQ8695, EQ8696 Circuit Breakers

FEATURES

- Bolt-on main breaker for Siemens single phase load centers
- UL listed
- Interrupting rating of 22KA
- 120/240V AC
- Wire range #4 – 300 kcmil Cu/Al
- Shunt trip available, use ST suffix for ordering

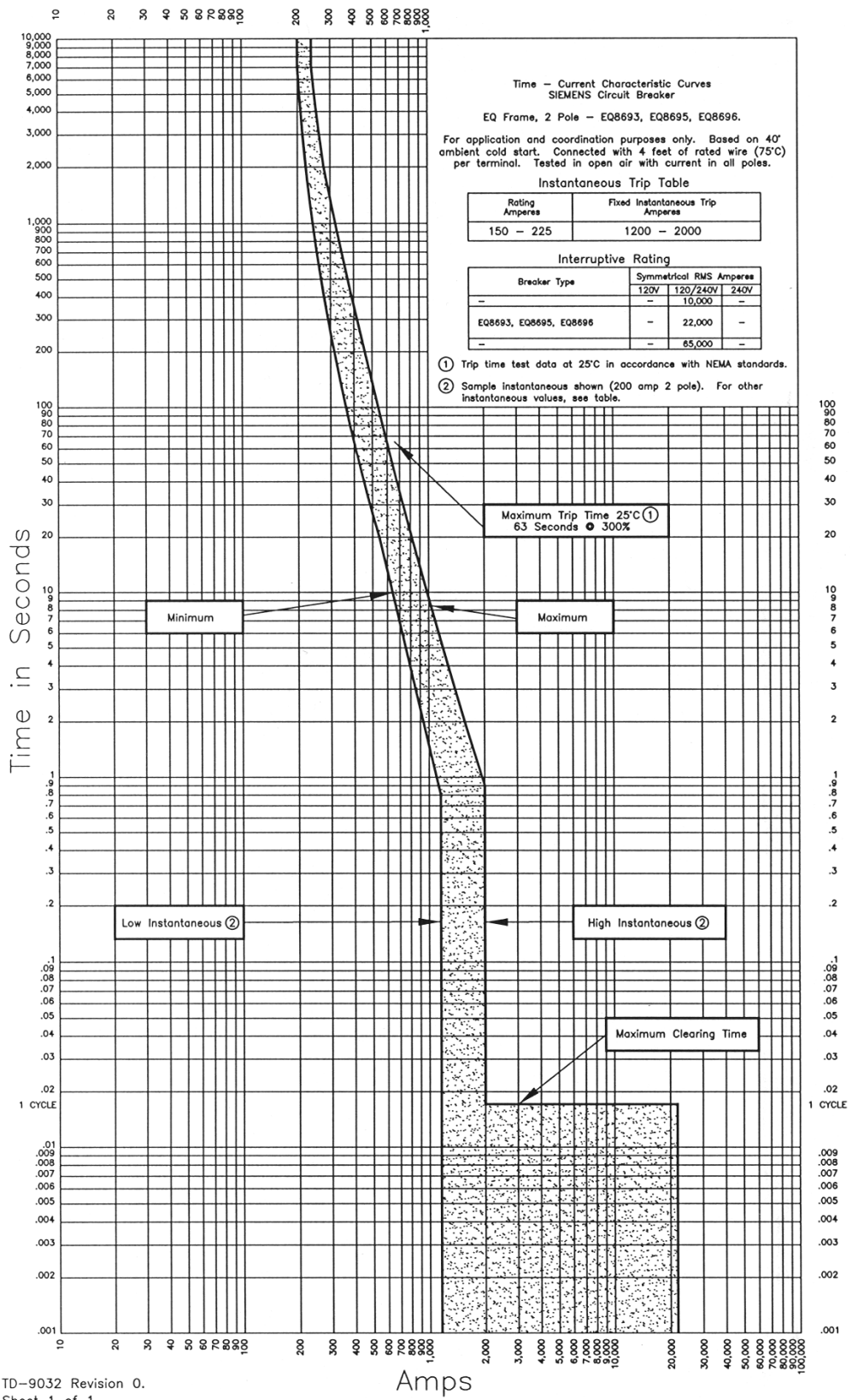


Catalog Number	Amperage	Interrupting Rating	UL Type
MBK150A	150	22K	EQ8693
MBK200A	200	22K	EQ8695
MBK225A	225	22K	EQ8696

fastfax

SIEMENS

EQ8693, EQ8695, EQ8696 Circuit Breakers



EQ8693, EQ8695, EQ8696 Circuit Breakers

EQ8693, EQ8695 & EQ8696 Series Ratings 240V 2 Breaker Series								
Branch Breaker or Fuse			Main Breaker or Fuse			Interrupting Rating RMS Symm		
UL Type	Amps	Poles	UL Type	Amps	Poles	RMS Symm Amps	Volts	Phase
QP,BQ,BL	15- 70	1	EQ868#	100-125	2	22,000	120/240	1
QP,BQ,BL	15-125	2	EQ868#	100-125	2	22,000	120/240	1
QG,BG,BLG	15- 30	1	EQ868#	100-125	2	22,000	120	1
QG,BG,BLG	15- 30	2	EQ868#	100-125	2	22,000	120/240	1
QT	15- 50	1, 2	EQ868#	100-125	2	22,000	120/240	1
QT	15- 50	2	EQ868#	100-125	2	22,000	120/240	1
QAF,BQAF,BAF	15- 20	1	EQ868#	100-125	2	22,000	120	1
QPF,BQF,BLF	15- 30	1	EQ868#	100-125	2	22,000	120	1
QPF,BQF,BLF	15- 60	2	EQ868#	100-125	2	22,000	120/240	1
QE,BE,BLE	15- 30	1	EQ868#	100-125	2	22,000	120	1
QE,BE,BLE	15- 60	2	EQ868#	100-125	2	22,000	120/240	1
EQ868#	100	2	HQN,HQNR	150-200	2	65,000	120/240	1
EQ968#	150-200	2	HQN,HQNR	150-200	2	65,000	120/240	1
EQ868#	100-125	2	HQPP	150-225	2	65,000	120/240	1
EQ968#	150-200	2	HQPP	150-225	2	65,000	120/240	1
EQ868#	100-125	2	EQ978#	150-225	2	65,000	120/240	1
EQ868#	100-125	2	FD6,FXD6	150-250	2, 3	65,000	120/240	1
EQ868#	100-125	2	FD6-A,FXD6-A	150-250	2, 3	65,000	120/240	1
EQ868#	100-125	2	HFD6,HFXD6	150-250	2, 3	100,000	120/240	1
EQ868#	100-125	2	T (300V)	100-200	2	100,000	120/240	1

For 240V 3 and 4 Breaker Series information please contact your local sales representative.

EQ8693, EQ8695, EQ8696 Circuit Breakers

