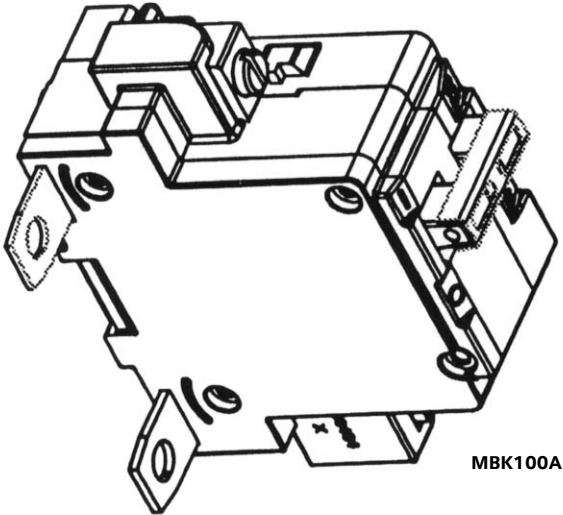


EQ8681, EQ8682 Circuit Breakers

FEATURES

- Bolt-on main breaker for Siemens single phase load centers
- UL listed
- Interrupting rating of 22KA
- 120/240V AC
- Wire range #4 – 300 kcmil Cu/Al
- Shunt trip available, use 00S01 suffix for ordering

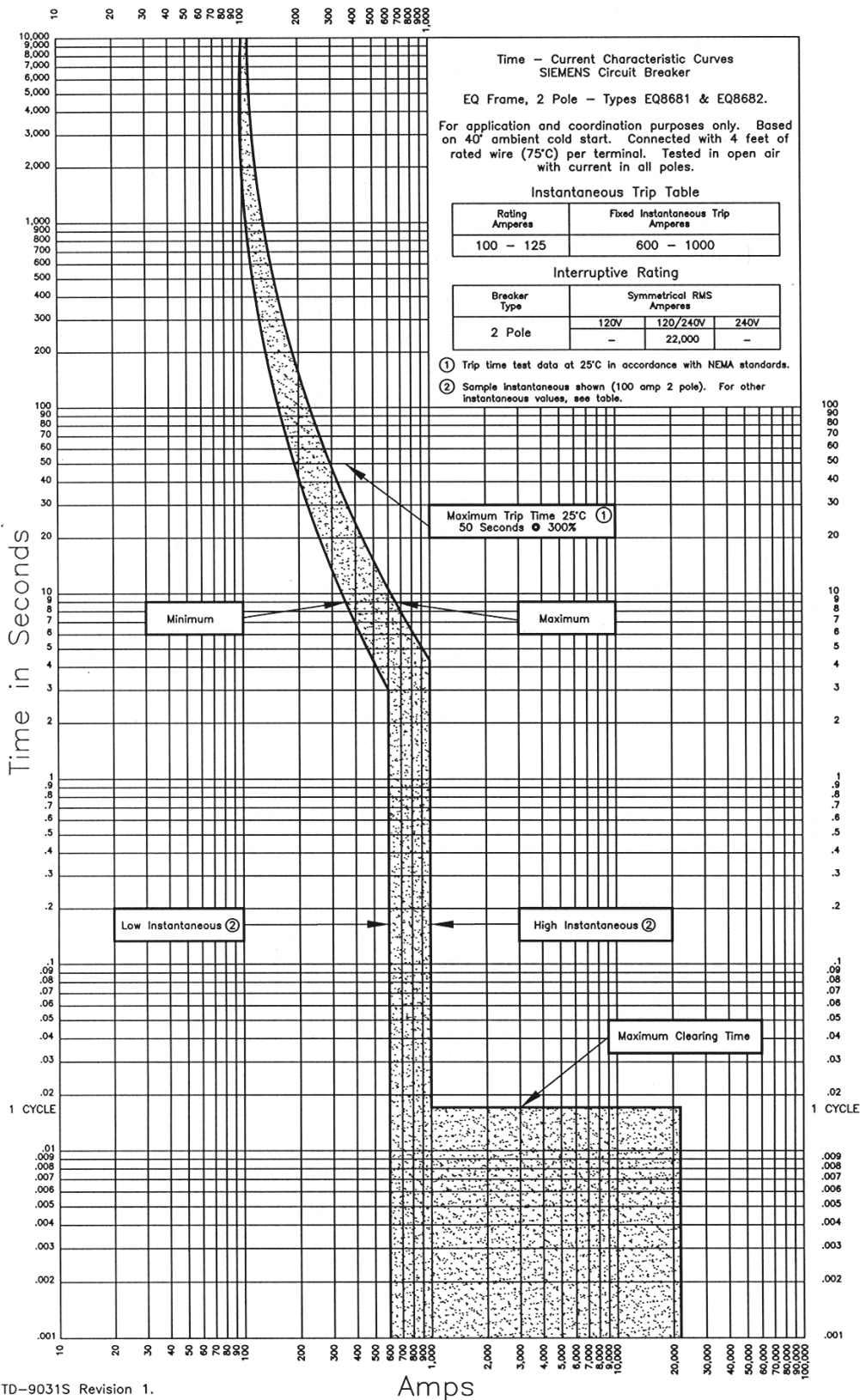


Catalog Number	Amperage	Interrupting Rating	UL Type
MBK100A	100	22K	EQ8681
MBK125A	125	22K	EQ8682

fastfax

SIEMENS

EQ8681, EQ8682 Circuit Breakers



EQ8681, EQ8682 Circuit Breakers

EQ8681 & EQ8682 Series Ratings								
240V 2 Breaker Series								
Branch Breaker or Fuse			Main Breaker or Fuse			Interrupting Rating RMS Symm		
UL Type	Amps	Poles	UL Type	Amps	Poles	RMS Symm Amps	Volts	Phase
QP,BQ,BL	15- 70	1	EQ869#	150-225	2	22,000	120/240	1
QP,BQ,BL	15-125	2	EQ869#	150-225	2	22,000	120/240	1
QG,BG,BLG	15- 30	1	EQ869#	150-225	2	22,000	120	1
QG,BG,BLG	15- 30	2	EQ869#	150-225	2	22,000	120/240	1
QT	15- 50	1, 2	EQ869#	150-225	2	22,000	120/240	1
QT	15-125	2	EQ869#	150-225	2	22,000	120/240	1
QAF,BQAF,BAF	15- 20	1	EQ869#	150-225	2	22,000	120	1
QPF,BQAF,BAF	15- 30	1	EQ869#	150-225	2	22,000	120	1
QPF,BQAF,BAF	15- 60	2	EQ869#	150-225	2	22,000	120/240	1
QE,BE,BLE	15- 30	1	EQ869#	150-225	2	22,000	120	1
QE,BE,BLE	15- 60	2	EQ869#	150-225	2	22,000	120/240	1
EQ869#	150-200	2	HQN,HQNR	150-200	2, 3	65,000	120/240	1
EQ869#	150-225	2	HQPP	150-225	2	65,000	120/240	1
EQ869#	150-225	2	EQ978#	150-225	2	65,000	120/240	1
EQ869#	150-225	2	FD6,FXD6	150-250	2, 3	65,000	120/240	1
EQ869#	150-225	2	FD6-A,FXD6-A	150-250	2, 3	65,000	120/240	1
EQ869#	150-225	2	HFD6,HFXD6	150-250	2, 3	100,000	120/240	1
EQ869#	150-200	2	T (300V)	150-200	2	100,000	120/240	1

For 240V 3 and 4 Breaker Series information please contact your local sales representative.

EQ8681, EQ8682 Circuit Breakers

