

Power Distribution Connectors
Conectores de Distribución de Energía
Connecteurs de distribution de puissance

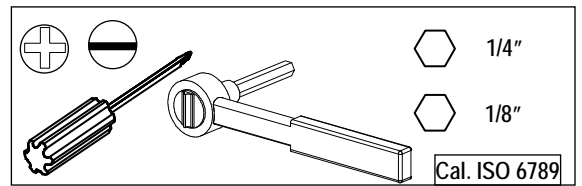
Item: For Use With Frame NGG
 Para Usar Con Caja Base NGG

Installation Instructions / Instructivo de Instalación

	⚠ Danger	⚠ Peligro	⚠ Danger
	Hazardous Voltage. Will cause death or serious injury.	Tensión peligrosa. Puede causar la muerte o lesiones graves.	Tension dangereuse. Danger de mort ou risque de blessures graves.
	Turn off and lock out all power supplying this device before working on this device. Replace all covers before power supplying this device is turned on.	Desenergice totalmente antes de instalar o darle servicio. Reemplace todas las barreras y cubiertas antes de energizar el interruptor.	Couper l'alimentation de l'appareil et barrer avant de travailler. Remplacez tous les couverts avant que l'approvisionnement de pouvoir soit alimenté.

Use only with Siemens certified Components.
 Utilizar únicamente con componentes certificados de Siemens.
 A utiliser uniquement avec les composants certifiés Siemens.

Special Purpose – Circuit Breaker fitted with TA6GG04 not for general use.
Proposito Especial - No para uso general cuando es usado con conectores debajo:



SIEMENS

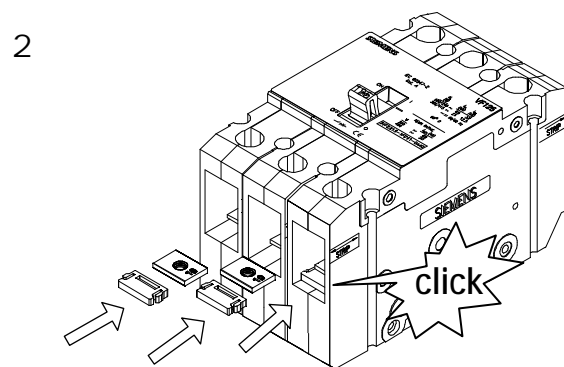
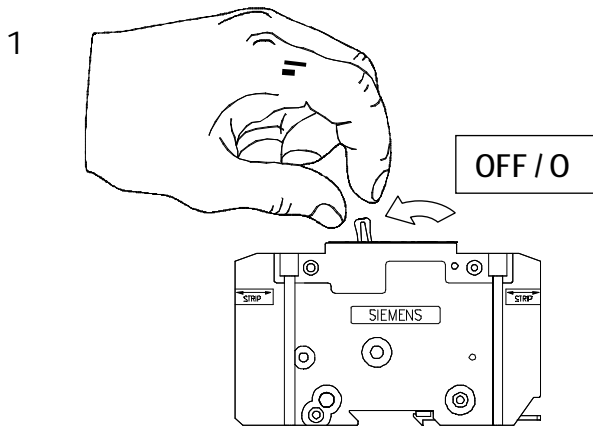
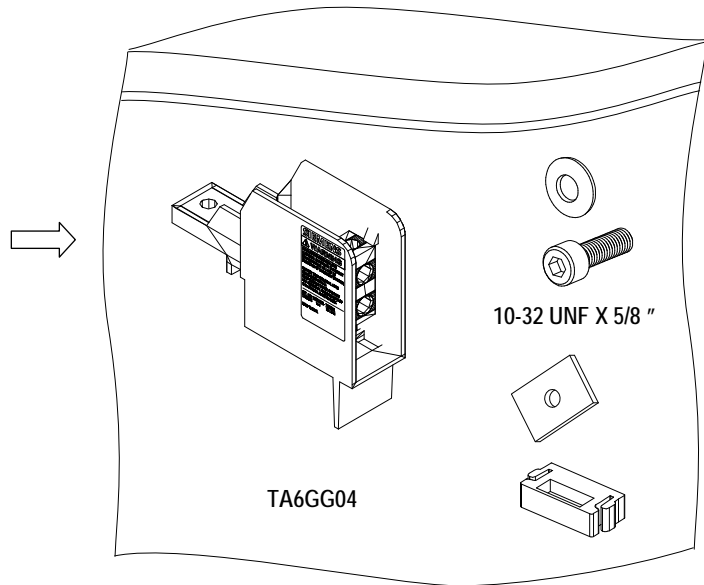
⚠ WARNING

CONDUCTORS SIZED FOR LOAD CURRENTS LOWER THAN THE CIRCUIT BREAKER RATING WILL NOT BE PROTECTED BY THE CIRCUIT BREAKER.

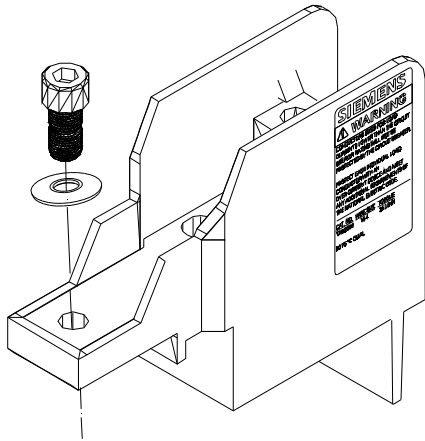
PROTECT EACH INDIVIDUAL LOAD CONDUCTOR WITH AN OVER-CURRENT DEVICE AND MEET ANY ADDITIONAL REQUIREMENTS OF THE NATIONAL ELECTRIC CODE.®

CAT. NO.	WIRE SIZE	TORQUE
TA6GG04	14-4CU	35 LB-IN
	#6AL	35 LB-IN

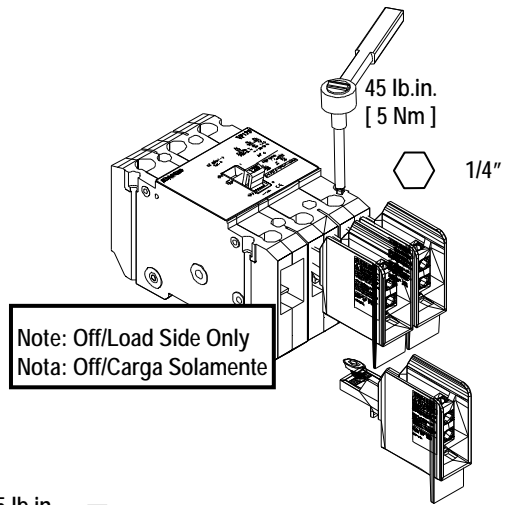
60/75 °C CU/AL
 FOR USE ON OFF/LOAD TERMINAL ONLY



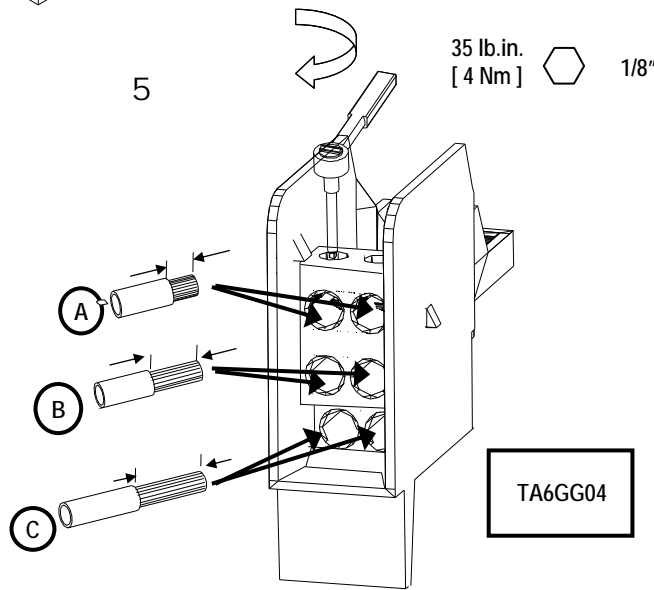
3

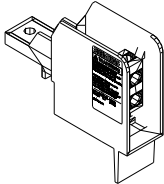


4



5



Wire Connector [Conexión del cable]	60°C and 75°C Wire Size [Rango Cable]	UL 486A - 486B Req. Wire Stranding [Hebras]		Torque [Esfuerzo de torsión]	Wire Strip Length [Quitar]		
		CU / AL Class B	CU Class C		(A)	(B)	(C)
 TA6GG04	Al #6 AWG Cu 14 - 4 AWG [2.5 - 16 mm ²]	7	19	14 - 4 AWG 35 lb. in. [4 Nm]	.38 - .50 [9.7 - 13mm]	.75 - .88 [19 - 22mm]	1.25 - 1.38 [32 - 35mm]

Technical Support:

Toll Free: 1-800-964-4114

Internet: www.usa.siemens.com/powerdistribution

Subject to change without prior notice
Siemens Industry, Inc. , Norcross, GA U.S.A.

© Siemens Industry, Inc. 2009