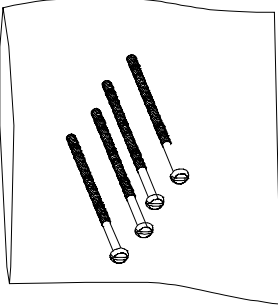




⚠ Danger
 Hazardous Voltage.
 Will cause death or serious injury.
 Turn off and lock out all power supplying this device before working on this device.
 Replace all covers before power supplying this device is turned on.

⚠ Peligro
 Tensión peligrosa.
 Puede causar la muerte o lesiones graves.
 Desenergice totalmente antes de instalar o darle servicio.
 Reemplace todos las barreras y cubiertas antes de energizar el interruptor.

⚠ Danger
 Tension dangereuse.
 Danger de mort ou risque de blessures graves.
 Couper l'alimentation de l'appareil et barrer avant de travailler.
 Remplacez tous les couverets avant que l'appareil soit alimenté.



Mounting Kit
 [Juego de Montura]

MCCB Accessory

Contains (4) #6-32 UNC for use with Type NGG Circuit Breakers only.

NOTE: Can not be used with 1 pole NGG.

MCCB Accesorio

Contiene (4) #6-32 UNC para usar solamente con interruptores Tipo NGG.

NOTA: No usar con NGG de 1 polo.

Qty. **1**
 Cat. No. **MSKG4**

DC No. **7 83643 50236 9**



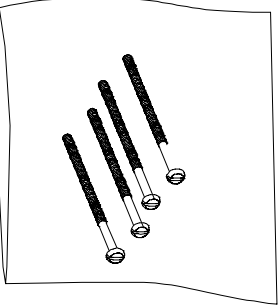
Siemens Energy & Automation, Inc.
 Bellefontaine, Ohio 43311 U.S.A.
 Technical Support 1-800-964-4114
 P.c. No. 806632A01 Rev. No. 1P



⚠ Danger
 Hazardous Voltage.
 Will cause death or serious injury.
 Turn off and lock out all power supplying this device before working on this device.
 Replace all covers before power supplying this device is turned on.

⚠ Peligro
 Tensión peligrosa.
 Puede causar la muerte o lesiones graves.
 Desenergice totalmente antes de instalar o darle servicio.
 Reemplace todos las barreras y cubiertas antes de energizar el interruptor.

⚠ Danger
 Tension dangereuse.
 Danger de mort ou risque de blessures graves.
 Couper l'alimentation de l'appareil et barrer avant de travailler.
 Remplacez tous les couverets avant que l'appareil soit alimenté.



Mounting Kit
 [Juego de Montura]

MCCB Accessory

Contains (4) #6-32 UNC for use with Type NGG Circuit Breakers only.

NOTE: Can not be used with 1 pole NGG.

MCCB Accesorio

Contiene (4) #6-32 UNC para usar solamente con interruptores Tipo NGG.

NOTA: No usar con NGG de 1 polo.

Qty. **1**
 Cat. No. **MSKG4**

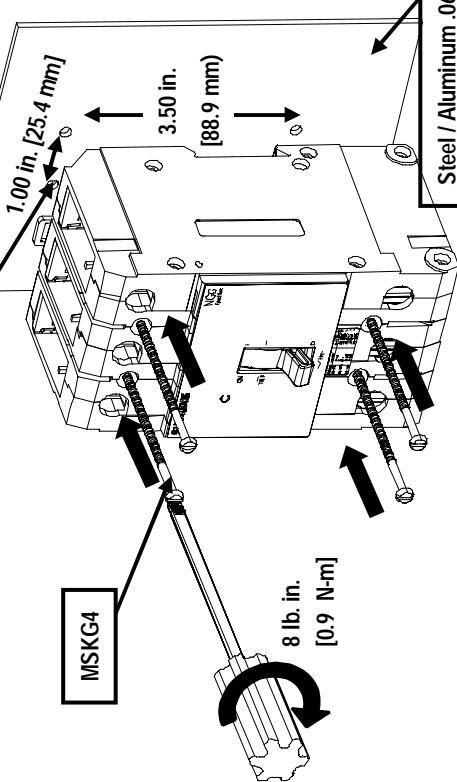
DC No. **7 83643 50236 9**



Siemens Energy & Automation, Inc.
 Technical Support 1-800-964-4114

Drill and tap (4) #6-32

[Hacer agujero y rosca (4) #6-32]

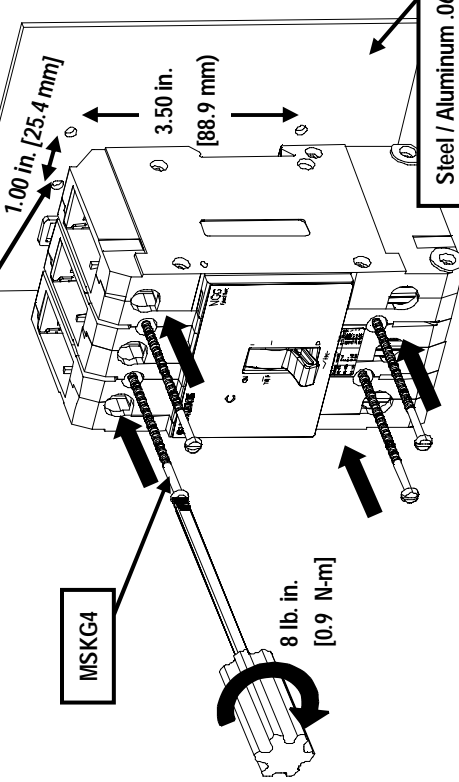


Steel / Aluminum .060 in. [1.5 mm] MIN
 [Acero / Aluminio .060 in. [1.5 mm] MIN]

SIEMENS

Drill and tap (4) #6-32

[Hacer agujero y rosca (4) #6-32]



Steel / Aluminum .060 in. [1.5 mm] MIN
 [Acero / Aluminio .060 in. [1.5 mm] MIN]