

Installation Instructions

⚠ DANGER

Hazardous voltage. Will cause death or severe injury.

Turn power off supplying device before installing.

⚠ SAFETY INSTRUCTIONS

BREAKERS TYPES
E2(-A), E4(-A), E6(-A), HE4(-A), HE6(-A), CLE(-A), ED2, ED4, ED6, EM6, EMK, HED4, HED6, CED6, EFC, EFF

NOTE: This instruction outlines the recommended installation procedure.

- Turn power off supplying device before installing kit. A complete plug-in installation requires one line end adapter assembly (consisting of plug-in adapter, stud connectors and associated hardware), one load end adapter assembly and one switchboard mounting plate. The switchboard mounting plate is optional and can be replaced by other mounting means to suit customers' requirements.

Application Information	Number Poles	Line End Adapter	Load End Adapter	Switchboard Mtg. Plate	
		Cat. No.	Cat. No.	"E"	"CLE"
	2	PC2637	PC2638	PL2616	PL2617
	3	PC2657	PC2658	PL2616	PL2617
	3	PM2657	PM2658	PL2616	PL2617

Mounting Preparation: (Figs. 1 & 2)

- If the switchboard mounting plate (1) is to be used, provided required drilling as shown in Fig. 1.
- If other mounting means are to be used, provide the cutouts and drilling required to mount the adapter blocks as shown in Fig. 2.

Switchboard Mounting Plate (If used): (Fig. 3)

- Place switchboard mounting plate (1) in position at location previously prepared in step 1 above. Secure in place with 1/4" [M6] hardware (Hardware furnished by customer).

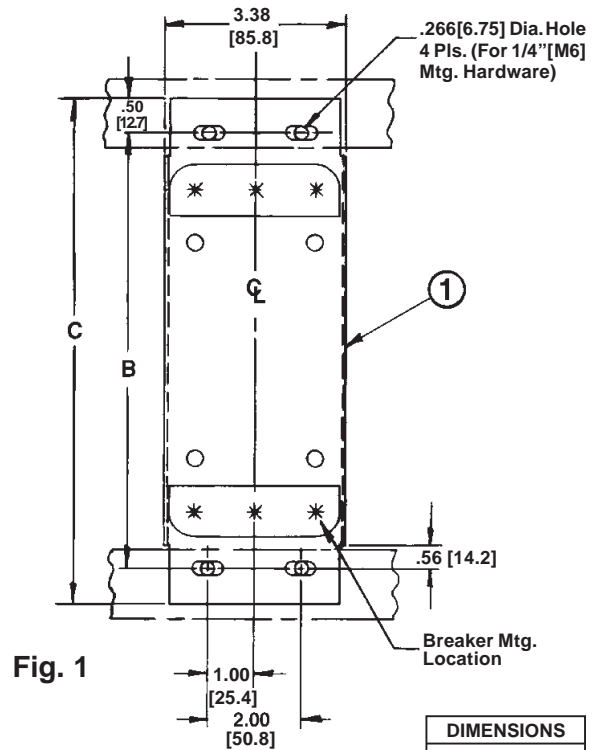


Fig. 1

BREAKER	A	B	C
E	5 [127.01]	8 [203.2]	9 [228.6]
CLE	8.25 [209.55]	11.25 [285.75]	12.25 [311.2]

DIMENSIONS
INCHES
[MILLIMETERS]

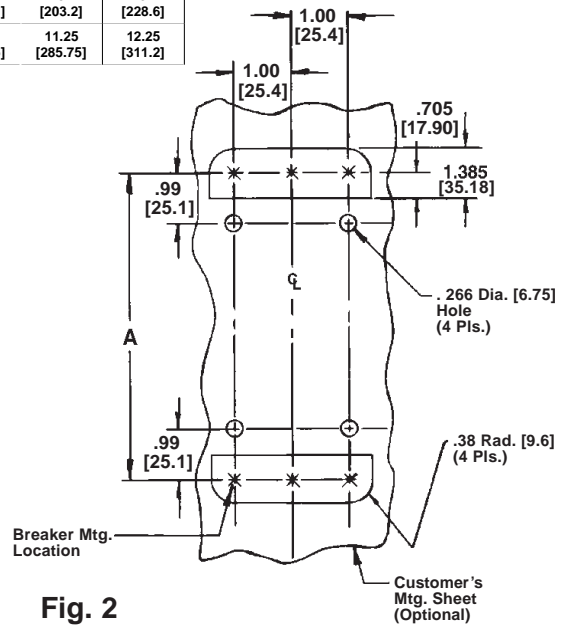


Fig. 2



Installation Instructions

Plug-In Adapter: (Fig. 3)

- Align plug-in adapter (2) with cutouts in switch-board mounting plate (or customer's mounting means as previously prepared in step 2) and secure in place with 1/4" screws (3) washers (4) and (5) and hex nuts (6). Tighten to 55 ± 5 In.-Lb. [6.21N/m].

Final Assembly: (Fig. 6)

- Make bus and/or cable connection to rear of mounting block studs using hex nuts (15) furnished to secure this connection. Attach bus or connector to mounting block studs by removing one nut (15) from the top of each stud. Do not allow this nut (15) to come within 1/8 inch of the nut resting on the tower (17). Do not tighten nut (17) as it is preset at the factory. Secure the nut under the bus or connector with a wrench to keep it from rotating. Replace the nut (15) that you had previously removed and torque to 35 ± 2 In.-Lb. [3.95 N/m] making certain not to allow the nut being retained with the wrench to rotate.

CAUTION: Make certain that breaker operating handle is in the **Off** position before proceeding with the next step.

Breaker Preparation: (Fig. 4)

Remove Pressure Wire Connectors From Breaker If Present

- Select line side breaker stud and insulator (11) and (12) and assemble to terminals, from back of breaker, and secure to breaker terminals with #12-24 screw and washers (7), (8), (9) as shown in Fig. 4. Recommended tightening torque for these screws is 2½ - 3 ft. lbs. [3.39-4.07 N/m] to assure good electrical connection. Repeat this procedure for the remaining line and load connections, breaker studs and insulators.
- Insert line end shields (10) into slots provided at line end breaker.
- Add accessory warning labels (13), (14) to top of breaker as indicated in Fig. 5.
- Align breaker with plug-in adapter and force male studs (11) over female tulip clips in plug-in adapter until breaker base bottoms against plug-in adapter. Secure breaker in place with #8 X

4.06 long mounting screws (16). Torque to 12 ± 2 In.-Lb. [1.36N/m]

- If installation requires the use of front panel trim, provide cutout for breaker escutcheon as shown in Fig. 7.

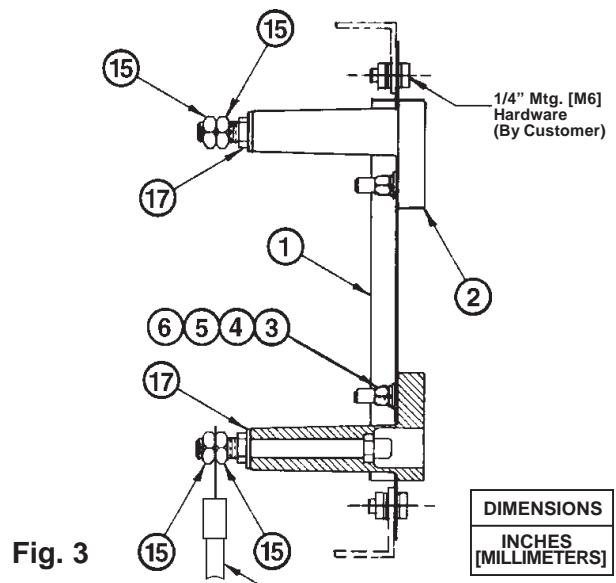


Fig. 3

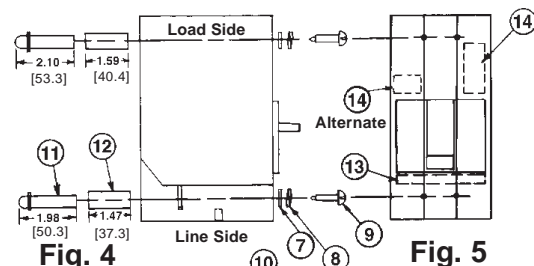


Fig. 4

Fig. 5

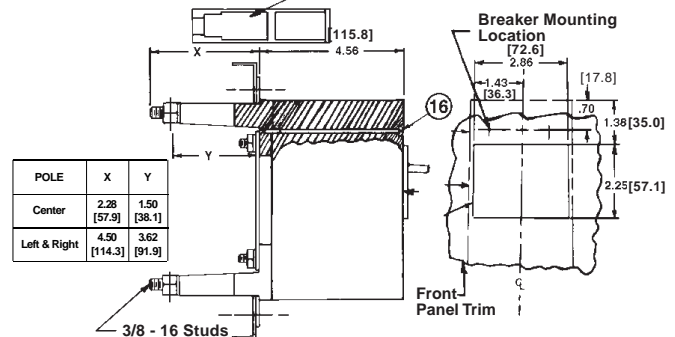


Fig. 6

Fig. 7