


SIEMENS

Siemens Energy & Automation, Inc. 
Bellefontaine, Ohio 43311 U.S.A.
© Siemens Energy & Automation, Inc. 2000

Item: MSE6-100 Breaker Mounting
Screws
For Use with: E & ED Frame Circuit
Breakers & Molded Case Switches
(See Types Below)
Pc. No. 62843A01

Installation Instructions



 **DANGER**

**Hazardous Voltage.
Will cause death or serious injury.**

**Turn power off supplying device before
installing kit.**

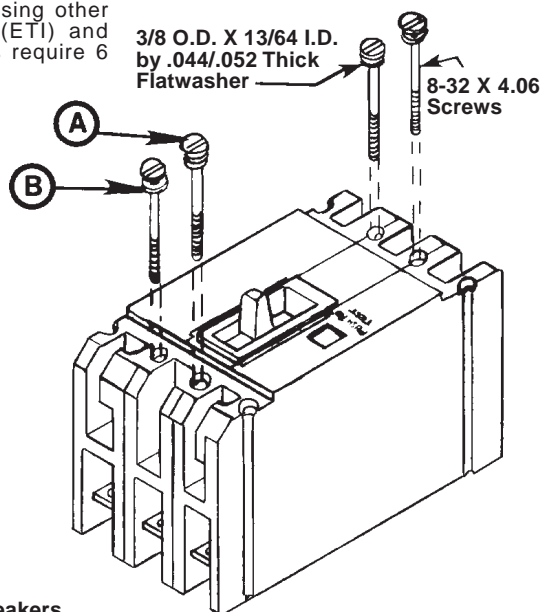


SAFETY INSTRUCTIONS

Breaker Types:

E2(-A), (H)E4(-A), (H)E6(-A)(ETI), CLE(-A)(ETI), ED2(Y), (H)ED4, (H)ED6(ETI),
CED6(ETI)

1. Turn power off supplying device before installing kit.
2. Assemble screws **A** & washers **B** through breaker as shown. Circuit Breakers without the add-on interrupter (ie. not types CLE(-A)(ETI) and CED6(ETI)) require only 2 screws in an I-T-E E frame enclosure and 4 screws when using other mounting. Type CLD(-A)(ETI) and CED6(ETI) circuit breakers require 6 screws.



E, ED, Frame Circuit Breakers