

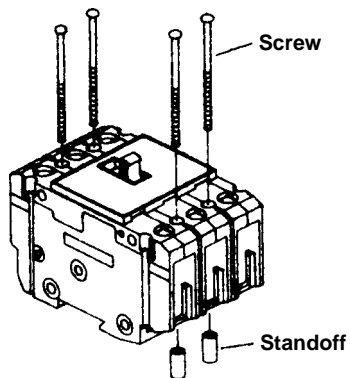
# SIEMENS

## Molded Case Circuit Breaker Accessory

Screw Mounting Kit  
Each kit contains (4) #6-32 UNC  
and (2) Standoffs for use with CQD  
Circuit Breakers only.

**NOTE:** When used on a 2 pole  
CQD use only 2 screws and 1  
spacer. This kit can not be used on  
a 1 pole CQD.

Use template on reverse side to  
locate and drill mounting holes.  
Torque mounting screws to 8 in-lbs.



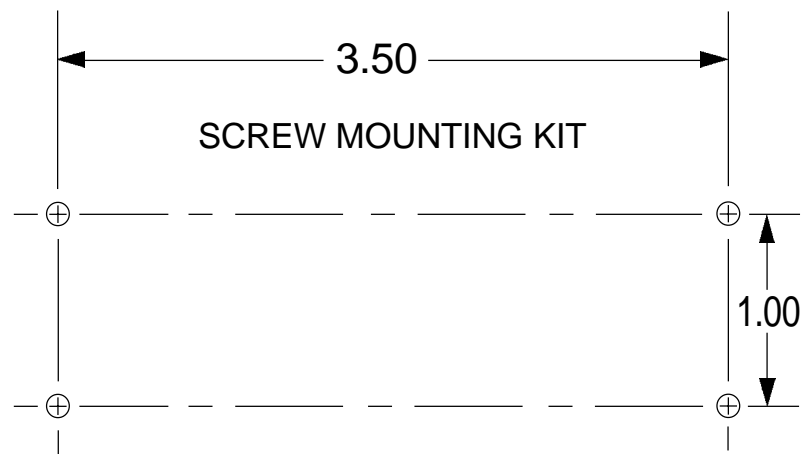
**Qty.**  
**1**

**Cat. No.**  
**CQDSMK**

**DC No.**  
**78364327807**

Siemens Energy & Automation, Inc.  
Bellefontaine, Ohio 43311 U.S.A.

Pc. No. 800496G00 Rev. No. 5P



## MOUNTING HOLE TEMPLATE

Use this template as a guide to locate,  
drill, and tap (4) #6-32 mounting holes.