

Use this template to locate and drill (4) .145 DIA. thru holes for (4) #6-32 Mounting Screws.

3 POLE MOUNTING BRACKET
MOUNTING HOLE TEMPLATE

CUT OUT FOR
BREAKER ESCUTCHEON

SIEMENS

Molded Case Circuit Breaker Accessory

Face Mounting Bracket - 3 Pole

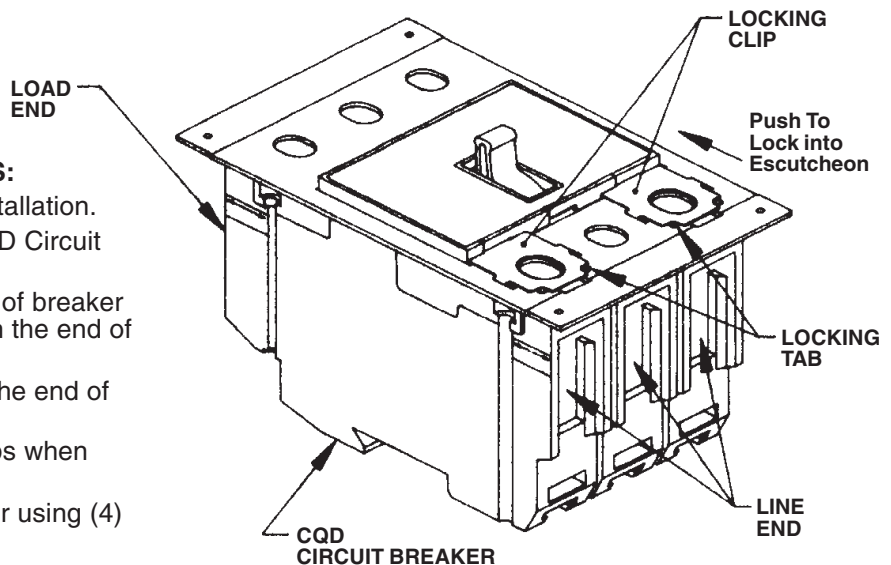
Each kit contains one (1) Face Mounting Bracket Kit for use with CQD Circuit Breakers only.

NOTES:

1. Use the template provided on the reverse side to locate the mounting holes.

INSTALLATION INSTRUCTIONS:

1. Retract locking clip prior to installation.
2. Place bracket onto face of CQD Circuit Breaker.
3. Slide bracket toward Line End of breaker and engage bracket into slot in the end of the escutcheon.
4. Push Locking Clip into slot in the end of the escutcheon.
5. Clip will snap over Locking Tabs when pushed into escutcheon.
6. Mount the CQD Circuit Breaker using (4) #6-32 tapped holes in bracket.



Qty. **1**
Cat. No. **CQDFMB3**

DC No. 78364327895