

CATALOG NUMBER

ECPLD3R

electricCenter
ACCESSORIES

3" Wide - Padlocking Device

This kit fits SIEMENS and MURRAY breaker types:

BAF, BAFH, BE, BG, BLE, BLEH, BLF, BLG, BLHF, BQ, BQAF, BQAFH, BQH, BQXD, HBQ, HQP, MG, MH-T, MP-AT, MP-ET, MP-GT, MP-HAT, MP-HET, MP-HGT, MP-HT, MP-MT, MP-T, MW, QAF, QAFH, QE, QEH, QG, QP, QPF, QPH, QPHF, QT, QW, LQ.

Package contains 1 device.

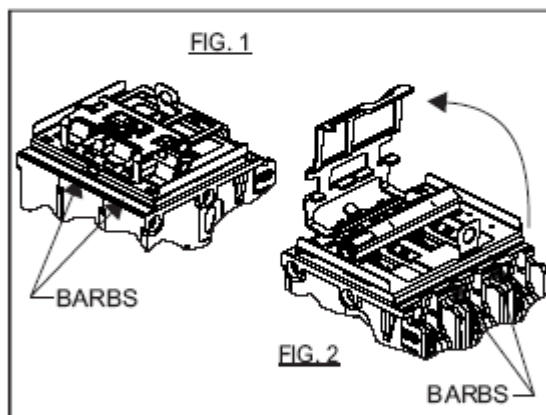


INSTALLATION INSTRUCTIONS

	⚠ DANGER
	Hazardous Voltage. Will cause death, serious injury or substantial property damage. Turn off power supplying this equipment before working inside.

⚠ SAFETY INSTRUCTIONS

Note: This instruction outlines the recommended installation procedure.



1. Turn off and lock off the power supplying this enclosure before working inside.
2. To install, press the padlocking assembly onto the circuit breaker (Fig.1). (The barbs on the lock mount will cause this to be a snug fit).
3. The circuit breaker can be padlocked in the "OFF" or "ON" position. Once the padlocking assembly is installed, the lock plate must be rotated to allow access to the circuit breaker handle(s) (Fig.2).
4. The installation of this padlocking device will be complete when the deadfront is secured to the panel.

© 2010 Copyright Siemens Industry, Inc.

600757B RevX

Siemens Industry, Inc Norcross, Georgia U.S.A. Assembled in Mexico