






Rear Terminals Conexión posterior Prises arrières

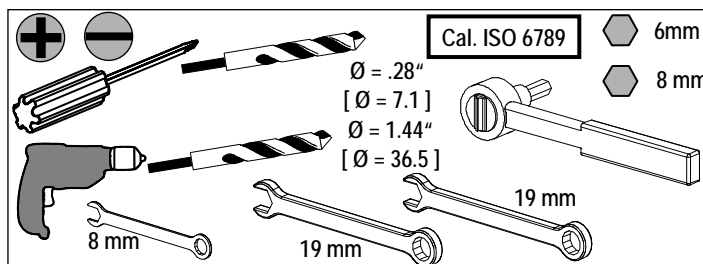
U.S. Cat. No.	Euro Order No.	U.S. Cat. No.	Euro Order No.	U.S. Cat. No.	Euro Order No.
Item: RTLJLR	3VL9400-4RB01	SRTJF3	3VL9400-4RM31	RLLLLF	3VL9460-4RP01
RTLJSR	3VL9400-4RA01	SRTJF4	3VL9400-4RN41	RTLLSF	3VL9460-4RG01
RTLJLF	3VL9400-4RL01	SRTJR3	3VL9400-4RC31	SRTLFF3	3VL9460-4RH31
RTLJSF	3VL9400-4RK01	SRTJR4	3VL9400-4RF41	SRTLFF4	3VL9460-4RH41

For Use With Frame JG, LG
Para Usar Con Caja Base JG, LG

Installation Instructions / Instructivo de Instalación

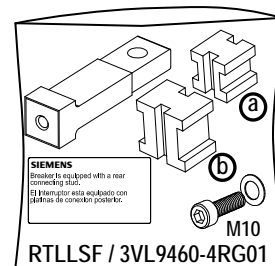
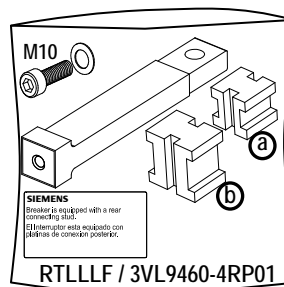
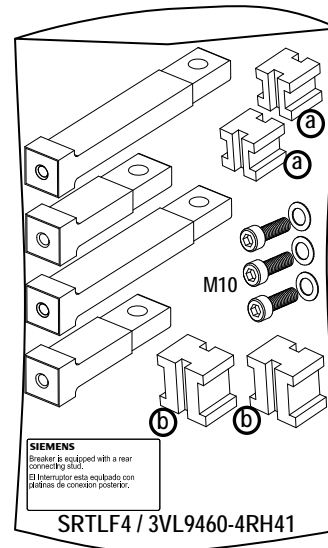
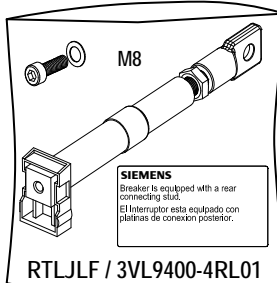
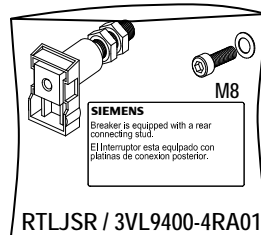
	 Danger	 Peligro	 Danger!
	Hazardous Voltage Will cause death or serious injury	Tensión peligrosa. Puede causar la muerte o lesiones graves.	Tension dangereuse. Danger de mort ou risque de blessures graves.
	Turn off and lock out all power supplying this device before working on this device. Replace all covers before power supplying this device is turned on.	Desenergice totalmente antes de instalar o darle servicio. Reemplace todas las barreras y cubiertas antes de energizar el interruptor.	Couper l'alimentation de l'appareil et barrer avant de travailler. Remplacez tous les couverts avant que l'alimentation de pouvoir soit alimentée.

Use only with Siemens certified Components.
Utilizar únicamente con componentes certificados de Siemens.
A utiliser uniquement avec les composants certifiés Siemens.



NOTE - These instructions do not purport to cover all details or variations in equipment, or to provide for every possible contingency to be met in connection with installation, operation or maintenance. Should further information be desired or should particular problems arise, which are not covered sufficiently for the purchaser's purposes, the matter should be referred to the local Siemens sales office. The contents of this instruction manual shall not become part of or modify any prior or existing agreement, commitment or relationship. The sales contract contains the entire obligation of Siemens. The warranty contained in the contract between the parties is the sole warranty of Siemens. Any statements contained herein do not create new warranties or modify the existing warranty.

Trademarks - Unless otherwise noted, all names identified by ® are registered trademarks of Siemens AG or Siemens Industry, Inc. The remaining trademarks in this publication may be trademarks whose use by third parties for their own purposes could violate the rights of the owner.





Danger

Hazardous Voltage
Will cause death or serious injury

Turn off and lock out all power supplying this device before working on this device.
Replace all covers before power supplying this device is turned on.



Peligro

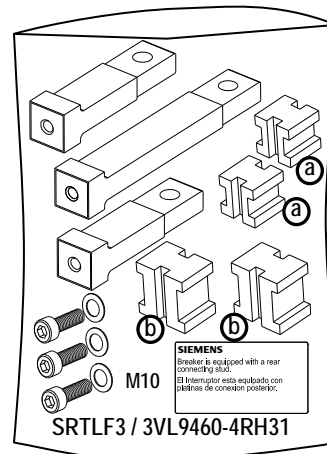
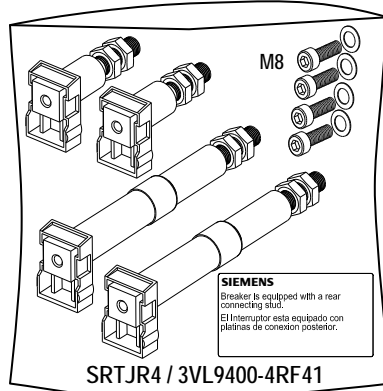
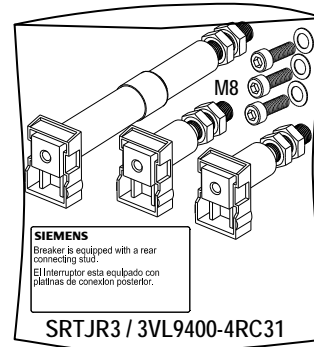
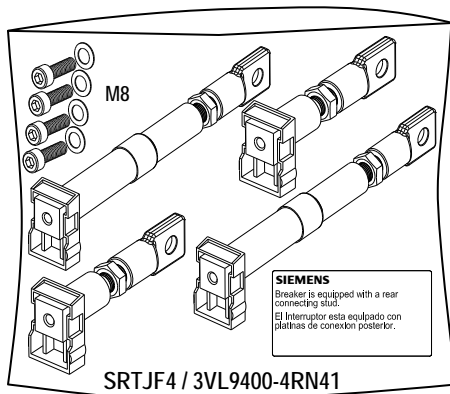
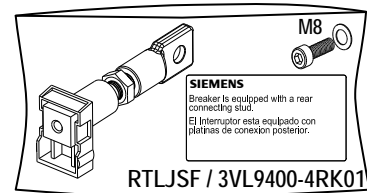
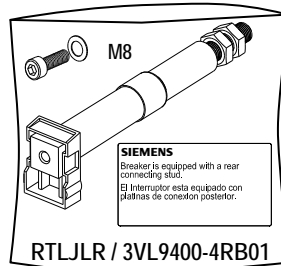
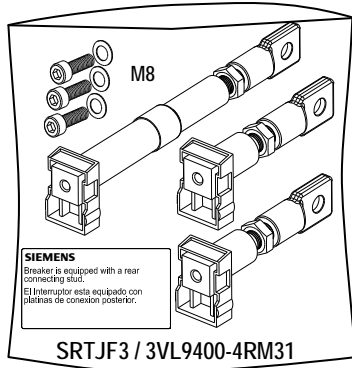
Tensión peligrosa.
Puede causar la muerte o lesiones graves.

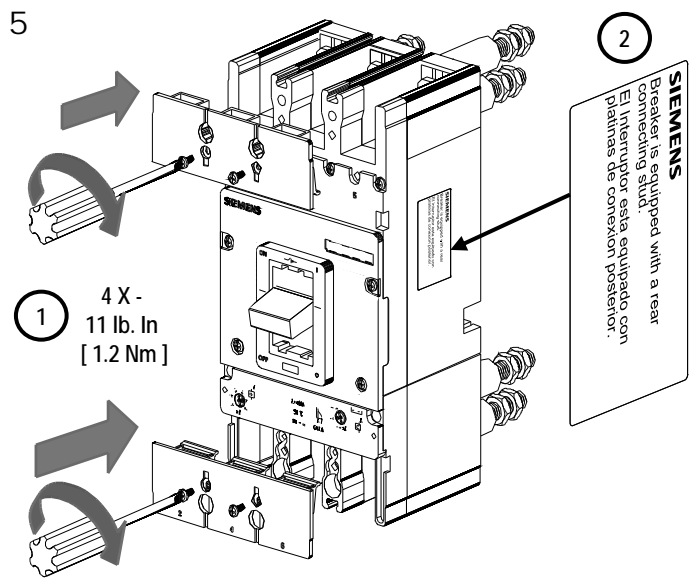
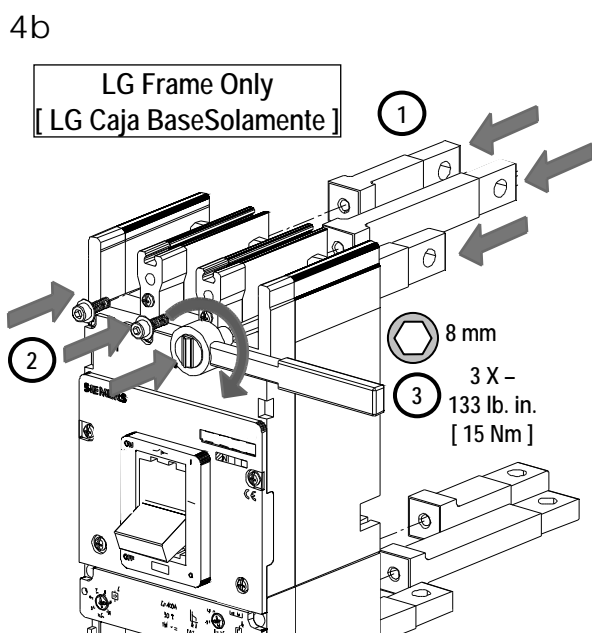
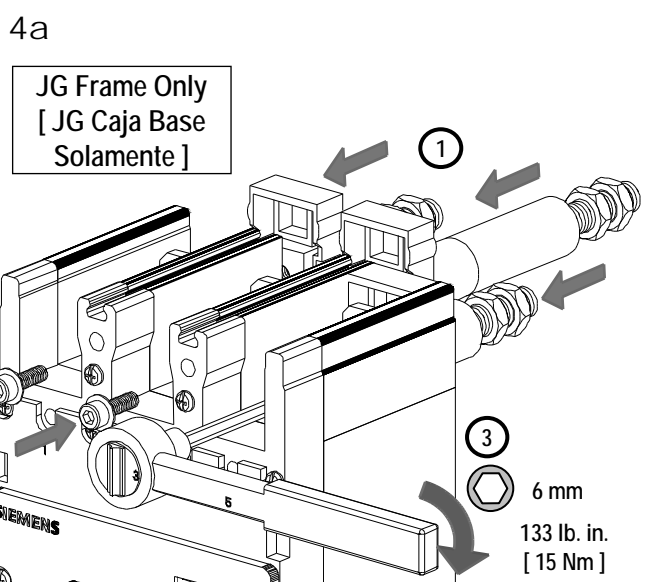
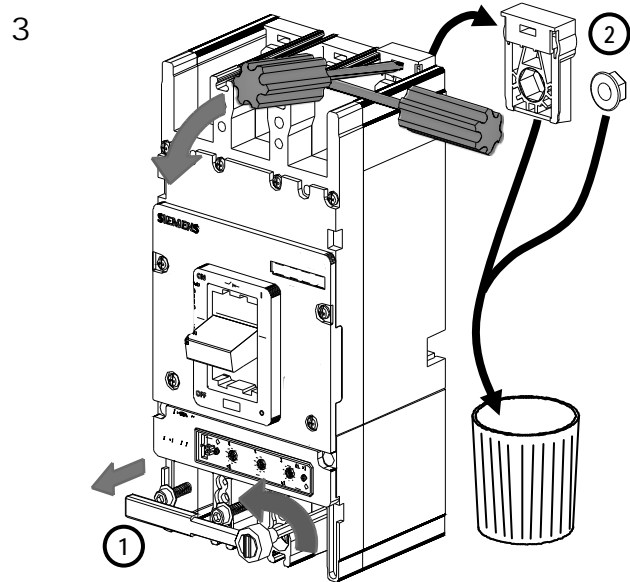
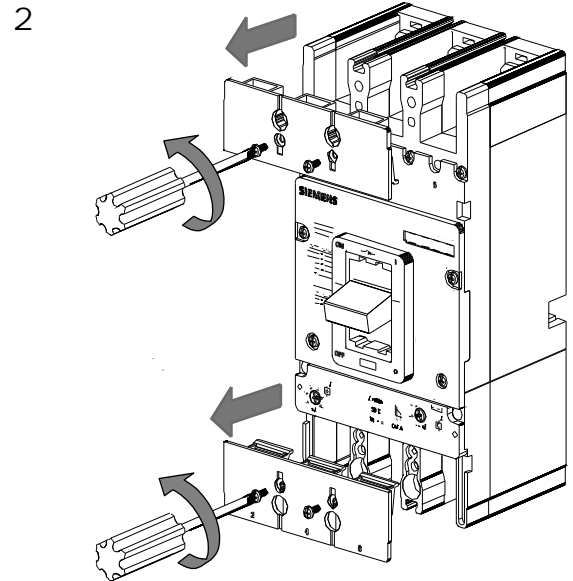
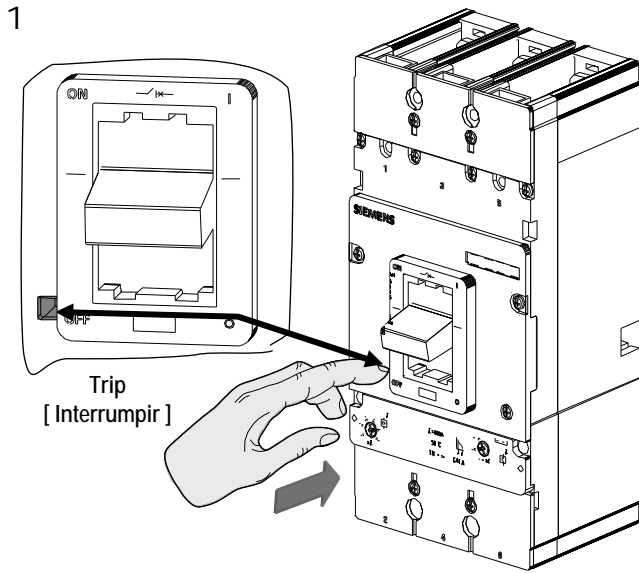
Desenergice totalmente antes de instalar o darle servicio.
Reemplace todas las barreras y cubiertas antes de energizar el interruptor.

Danger!

Tension dangereuse.
Danger de mort ou risque de blessures graves.

Couper l'alimentation de l'appareil et barrer avant de travailler.
Remplacez tous les couverts avant que l'alimentation de pouvoir soit alimenté.







Danger

Hazardous Voltage
Will cause death or serious injury
 Turn off and lock out all power supplying this device before working on this device.
 Replace all covers before power supplying this device is turned on.

Peligro

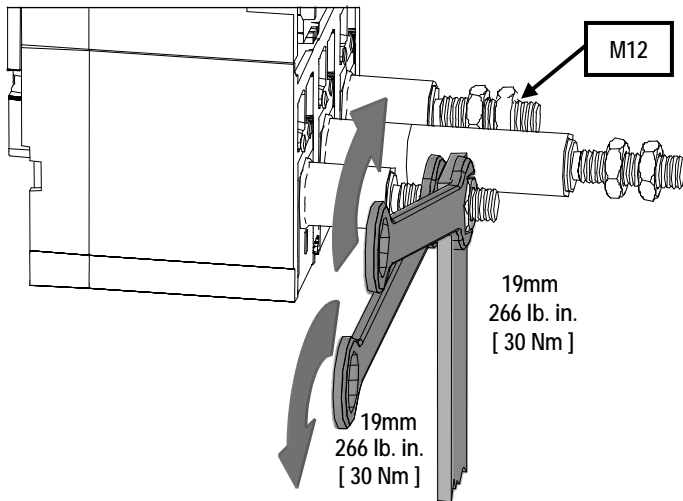
Tensión peligrosa.
Puede causar la muerte o lesiones graves.
 Desenergice totalmente antes de instalar o darle servicio.
 Reemplace todas las barreras y cubiertas antes de energizar el interruptor.

Danger!

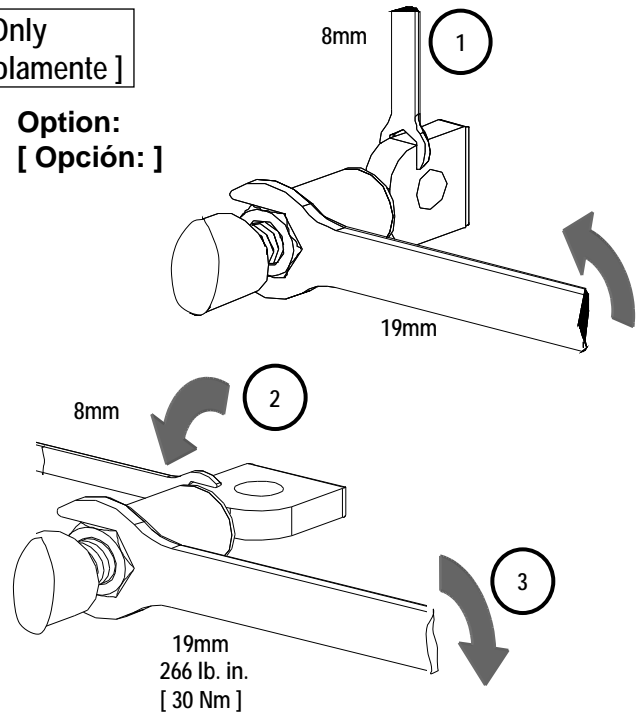
Tension dangereuse.
Danger de mort ou risque de blessures graves.
 Couper l'alimentation de l'appareil et barrer avant de travailler.
 Remplacez tous les couverts avant que l'alimentation de pouvoir soit alimenté.

JG Frame Only [JG Caja Base Solamente]

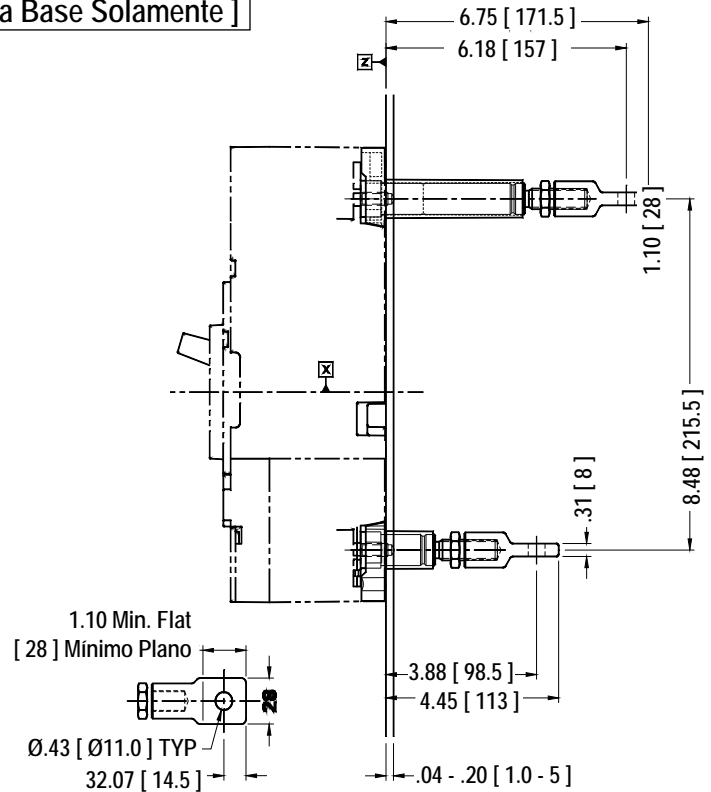
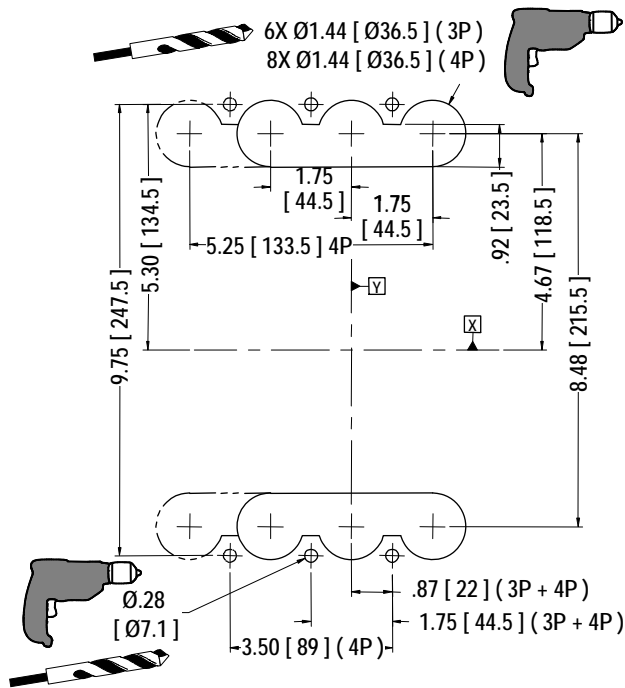
6



Option:
[Opción:]

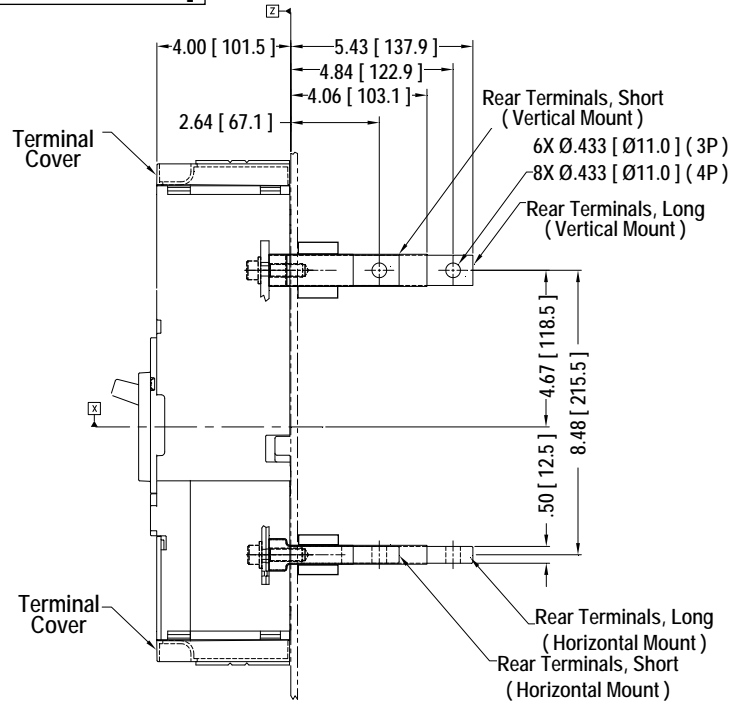
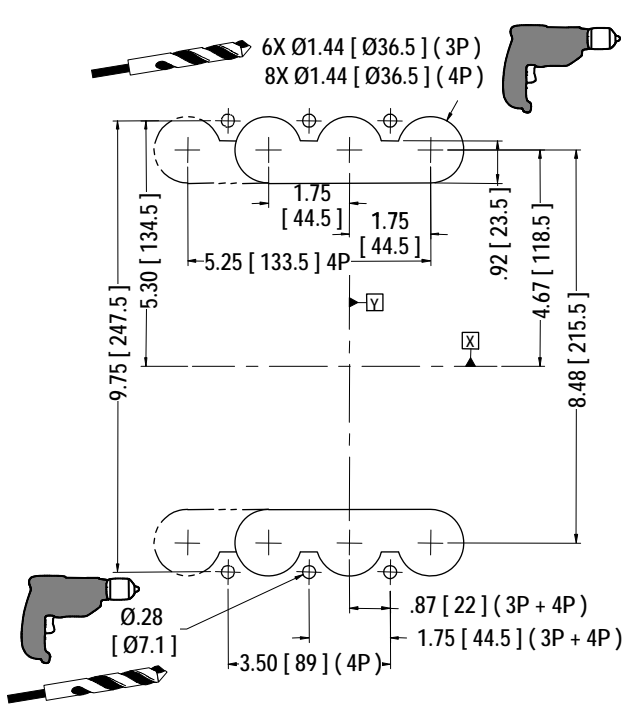


JG Frame Only [JG Caja Base Solamente]

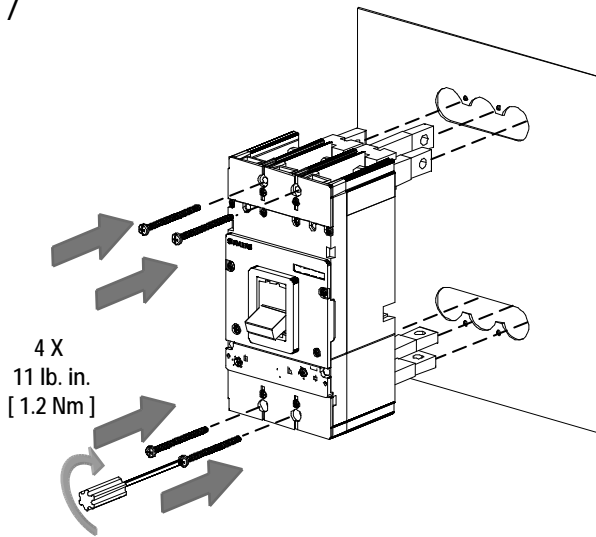


Option:
[Opción:]

LG Frame Only
[LG Caja Base Solamente]

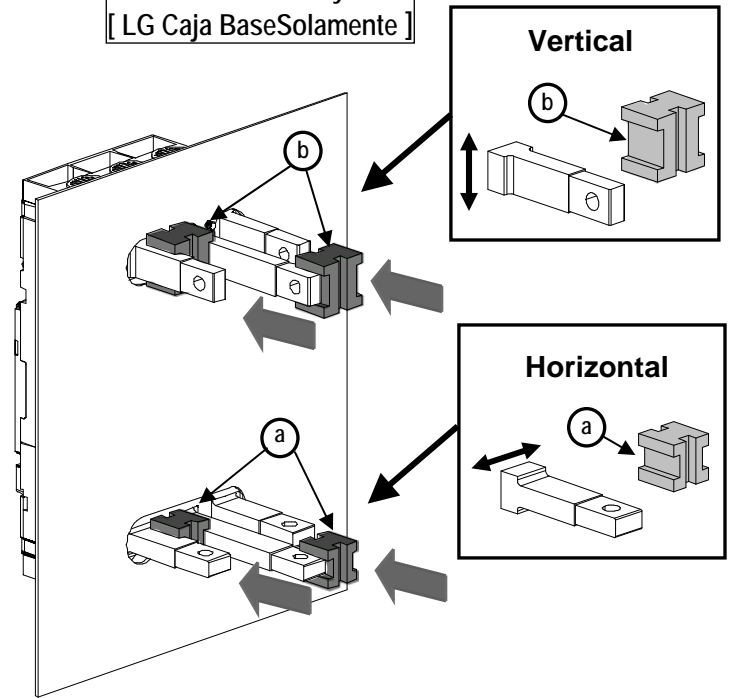


7



8

LG Frame Only
[LG Caja Base Solamente]



Bestell-Nr. / Order No.: 3ZX1012-0VL68-4AA7 Internet: www.siemens.de/lowvoltage/technical-assistance GWA 4NEB 179 6867-10 DS 04

Technical Support: Toll Free: 1-800-241-4453 Internet: www.usa.siemens.com/powerdistribution