

Thermal Magnetic Trip Unit Disparador por sobreintensidad magnetotérmico Déclencheur magnétothermique

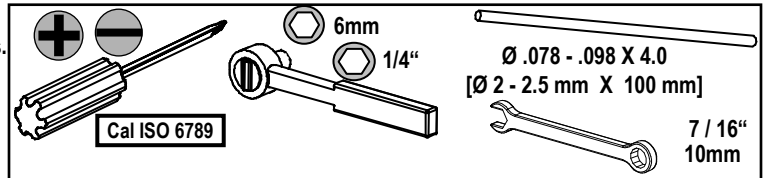
	U.S. Cat. No.	Euro Order No.
Item:	CNT2B ___	3VL97 ___ - 7KN28
	CNT3B ___	3VL97 ___ - 7KN38
	CPT3B ___	3VL98 ___ - 7KN38

For Use With Frame NG, PG
Para Usar Con Caja Base NG, PG

Installation Instructions / Instructivo de Instalación

 Danger	 Peligro	 Danger!
Hazardous Voltage Will cause death or serious injury Turn off and lock out all power supplying this device before working on this device. Replace all covers before power supplying this device is turned on.	Tensión peligrosa. Puede causar la muerte o lesiones graves. Desenergice totalmente antes de instalar o darle servicio. Reemplace todas las barreras y cubiertas antes de energizar el interruptor.	Tension dangereuse. Danger de mort ou risque de blessures graves. Couper l'alimentation de l'appareil et barrer avant de travailler. Remplacez tous les couverts avant que l'alimentation de pouvoir soit alimenté.

Use only with Siemens certified Components.
Utilizar únicamente con componentes certificados de Siemens.
A utiliser uniquement avec les composants certifiés Siemens.



NOTE - These instructions do not purport to cover all details or variations in equipment, or to provide for every possible contingency to be met in connection with installation, operation or maintenance. Should further information be desired or should particular problems arise, which are not covered sufficiently for the purchaser's purposes, the matter should be referred to the local Siemens sales office. The contents of this instruction manual shall not become part of or modify any prior or existing agreement, commitment or relationship. The sales contract contains the entire obligation of Siemens. The warranty contained in the contract between the parties is the sole warranty of Siemens. Any statements contained herein do not create new warranties or modify the existing warranty.

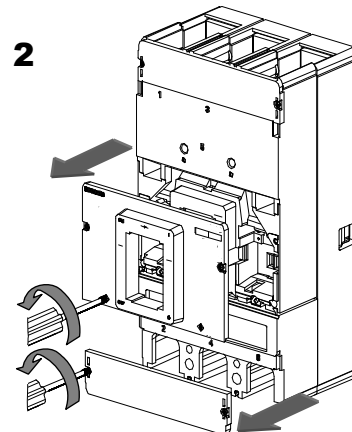
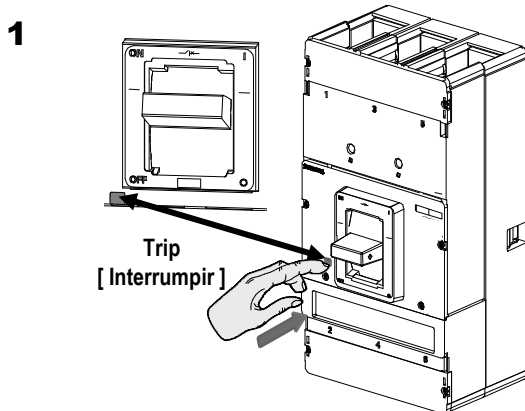
Trademarks - Unless otherwise noted, all names identified by ® are registered trademarks of Siemens AG or Siemens Industry, Inc. The remaining trademarks in this publication may be trademarks whose use by third parties for their own purposes could violate the rights of the owner.

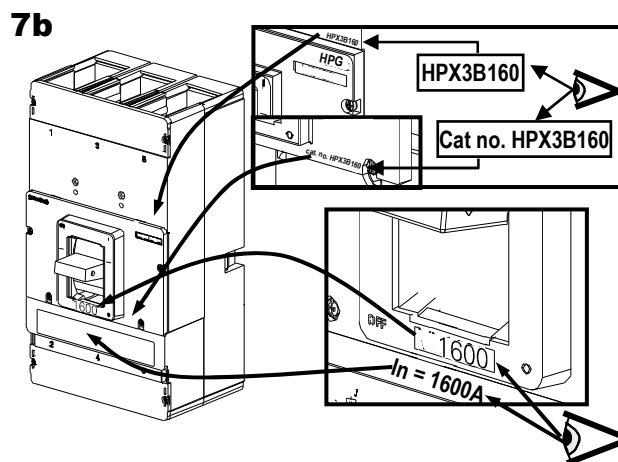
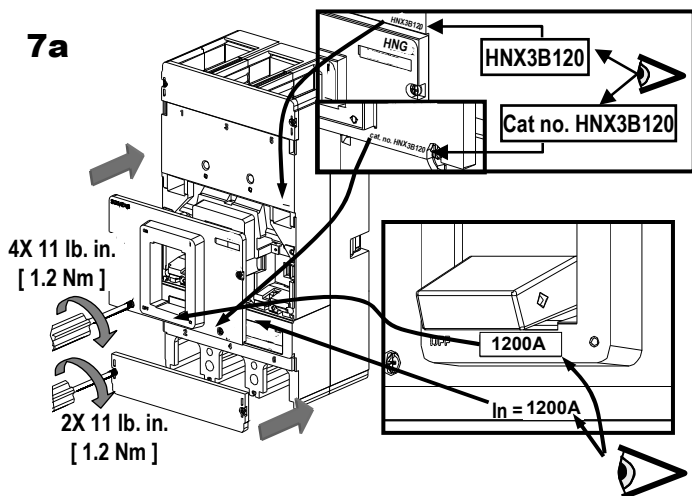
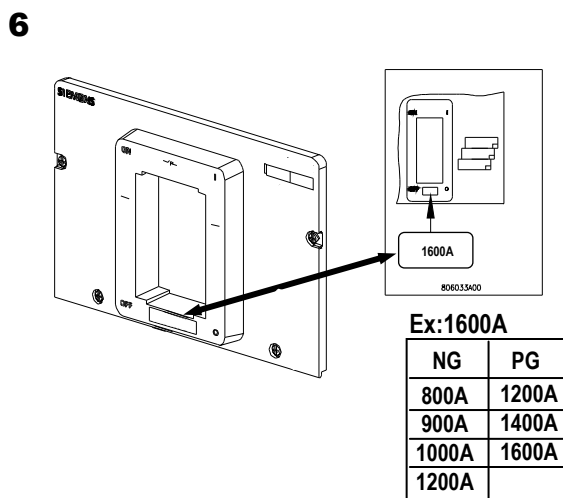
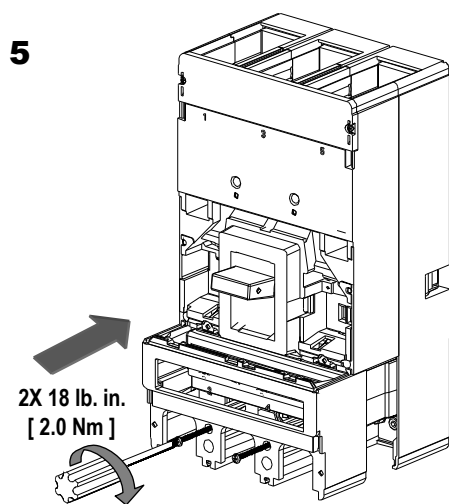
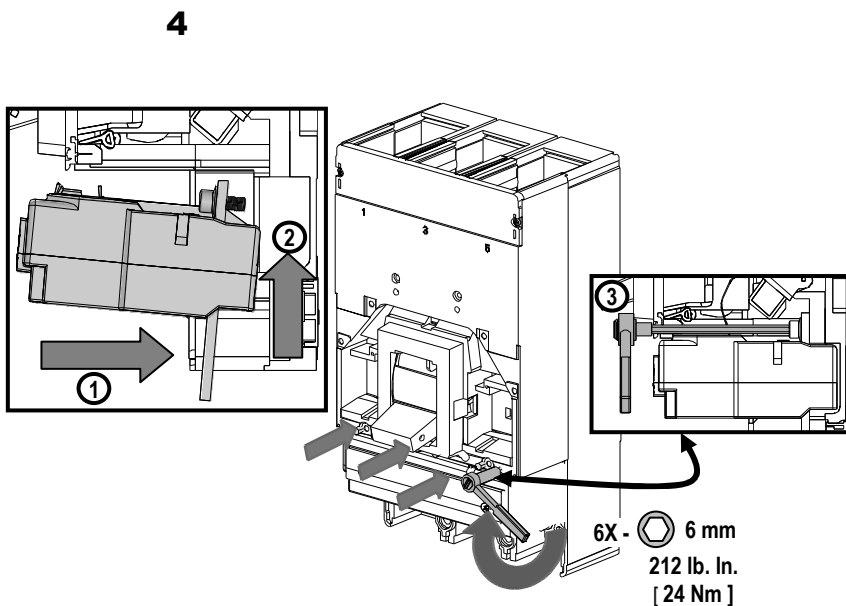
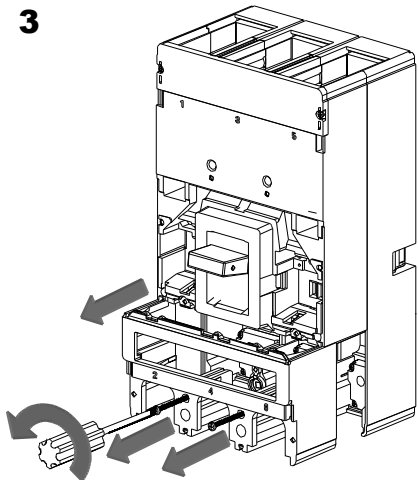
3 Pole / Polos

CNT3B800	3VL9780-7KN38
CNT3B900	3VL9790-7KN38
CNT3B100	3VL9710-7KN38
CNT3B120	3VL9712-7KN38
CPT3B120	3VL9812-7KN38
CPT3B140	3VL9814-7KN38
CPT3B160	3VL9816-7KN38

2 Pole / Polos

CNT2B800	3VL9780-7KN28
CNT2B900	3VL9790-7KN28
CNT2B100	3VL9710-7KN28
CNT2B120	3VL9712-7KN28







Danger

Hazardous Voltage
Will cause death or serious injury



Turn off and lock out all power supplying this device before working on this device.
Replace all covers before power supplying this device is turned on.

Peligro

Tensión peligrosa.
Puede causar la muerte o lesiones graves.

Desenergice totalmente antes de instalar o darle servicio.
Reemplace todas las barreras y cubiertas antes de energizar el interruptor.

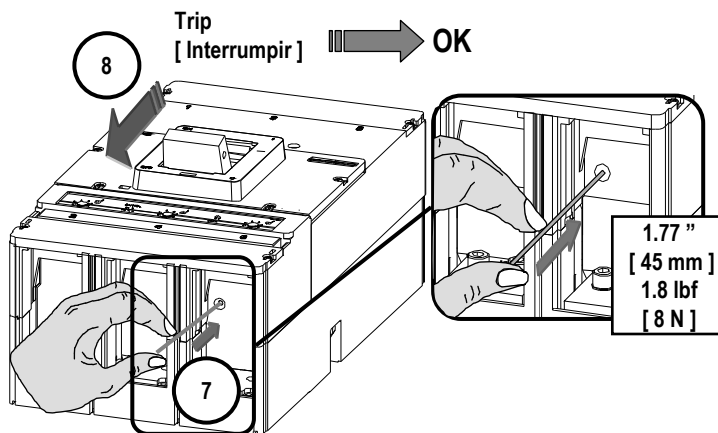
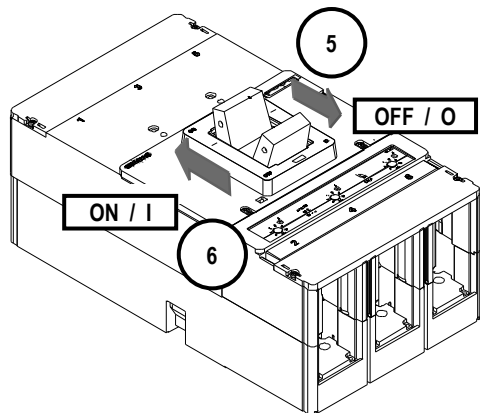
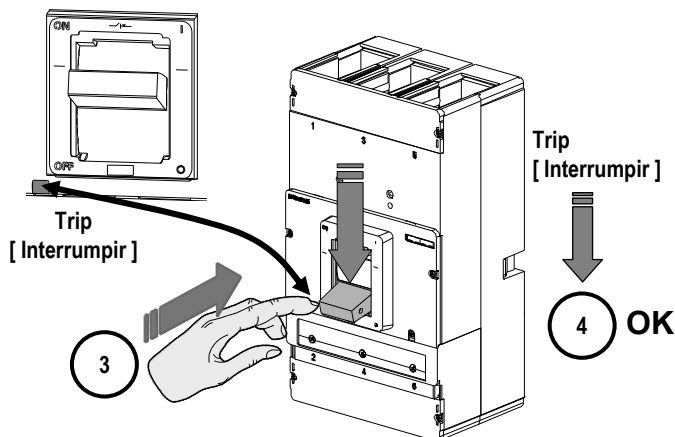
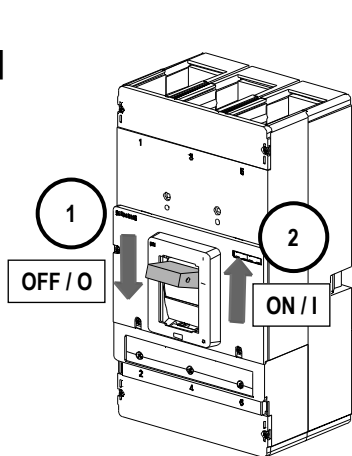
Danger!

Tension dangereuse.
Danger de mort ou risque de blessures graves.

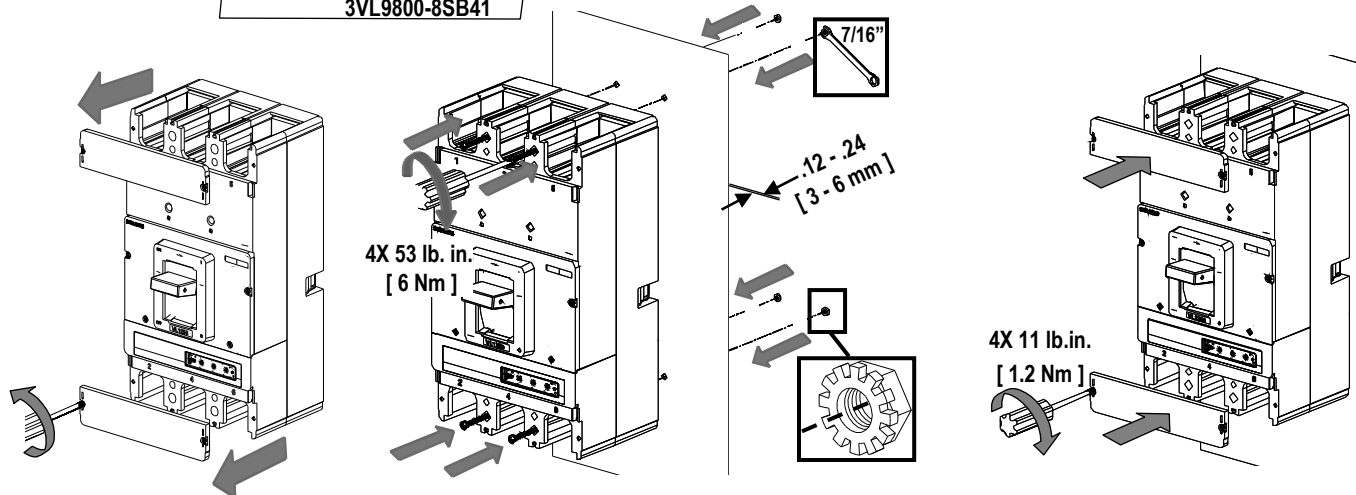
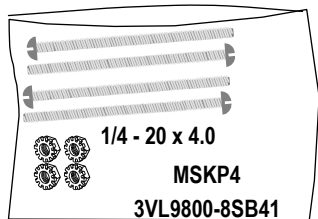
Couper l'alimentation de l'appareil et barrer avant de travailler.
Remplacez tous les couverts avant que l'approvisionnement de pouvoir soit alimenté.

Test: **[Prueba:]**

8



Accessory **[Accesorio]**





Danger

Hazardous Voltage
Will cause death or serious injury



Turn off and lock out all power supplying this device before working on this device.
Replace all covers before power supplying this device is turned on.

Peligro

Tensión peligrosa.
Puede causar la muerte o lesiones graves.

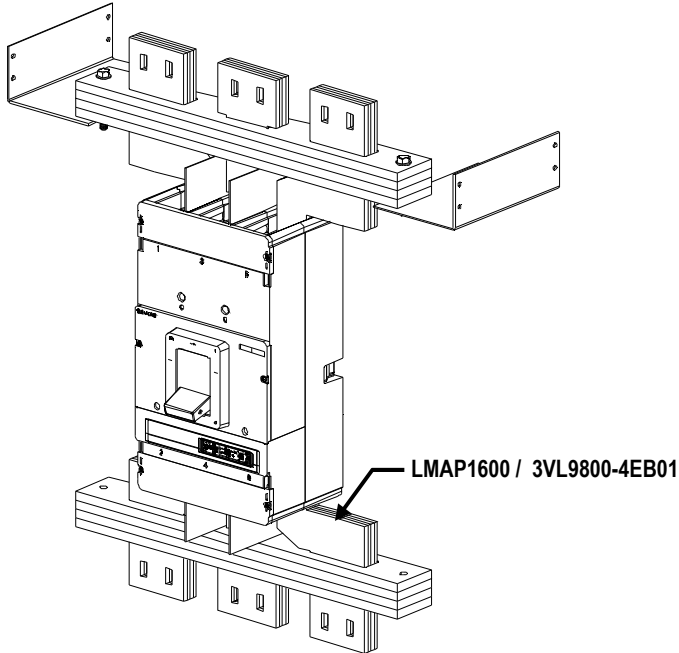
Desenergice totalmente antes de instalar o darle servicio.
Reemplace todas las barreras y cubiertas antes de energizar el interruptor.

Danger!

Tension dangereuse.
Danger de mort ou risque de blessures graves.

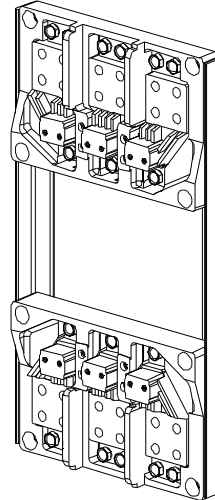
Couper l'alimentation de l'appareil et barrer avant de travailler.
Remplacez tous les couverts avant que l'alimentation de pouvoir soit alimenté.

Accessory [Accesorio]

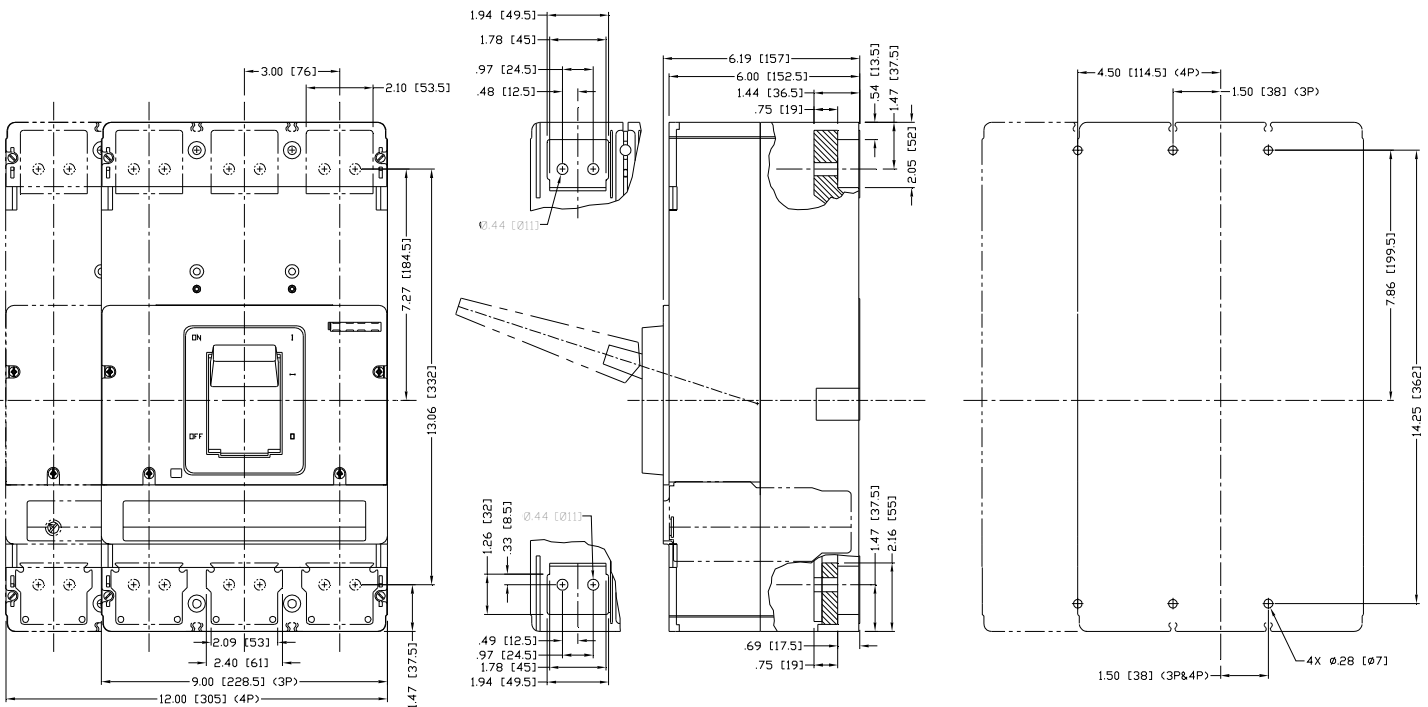


LMAP1600 / 3VL9800-4EB01

Accessory [Accesorio]



MBPG1600
3VL9800-4TU31



For Support in Europe refer to :

Bestell-Nr. / Order No.: 3ZX1012-0VL22-0AA3

Internet: www.siemens.de/lowvoltage/technical-assistance

GWA 4NEB 178 6810-10 DS 04

Technical Support:

Toll Free: 1-800-241-4453

Internet: www.usa.siemens.com/powerdistribution

Subject to change without prior notice
Siemens Industry, Inc., Norcross, GA 30092 U.S.A.