

# SIEMENS

Undervoltage Release  
Bobina de mínima tensión  
Déclencheur mini de tension

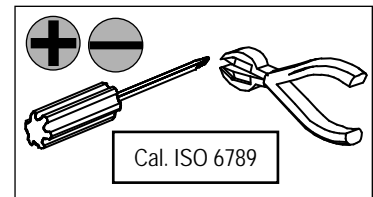
	U.S. Cat. No.	Euro Order No.	U.S. Cat. No.	Euro Order No.
Item:	UVRPA12DC	3VL9800-1UN01	UVRPN120	3VL9800-1UG01
	UVRPB24DC	3VL9800-1UP01	UVRPR240	3VL9800-1UH01
	UVRPC48DC	3VL9800-1UU01	UVRPP208	3VL9800-1UM01
	UVRPG60DC	3VL9800-1UV01	UVRPS277	3VL9800-1UQ01
	UVRPD125DC	3VL9800-1UR01	UVRPT415	3VL9800-1UJ01
	UVRPE250DC	3VL9800-1US01	UVRPU480	3VL9800-1UK01

For Use With Frame MG, NG, PG  
Para Usar Con Caja Base MG, NG, PG

Installation Instructions / Instructivo de Instalación

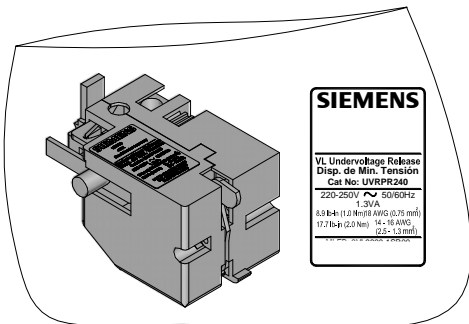
	 <b>Danger</b>	 <b>Peligro</b>	 <b>Danger</b>
	<b>Hazardous Voltage.</b> Will cause death or serious injury.	<b>Tensión peligrosa.</b> Puede causar la muerte o lesiones graves.	<b>Tension dangereuse.</b> Danger de mort ou risque de blessures graves.
	Turn off and lock out all power supplying this device before working on this device. Replace all covers before power supplying this device is turned on.	Desenergice totalmente antes de instalar o darle servicio. Reemplace todas las barreras y cubiertas antes de energizar el interruptor.	Couper l'alimentation de l'appareil et barrer avant de travailler. Remplacez tous les couverts avant que l'approvisionnement de pouvoir soit alimenté.

Use only with Siemens certified Components.  
Utilizar únicamente con componentes certificados de Siemens.  
A utiliser uniquement avec les composants certifiés Siemens.



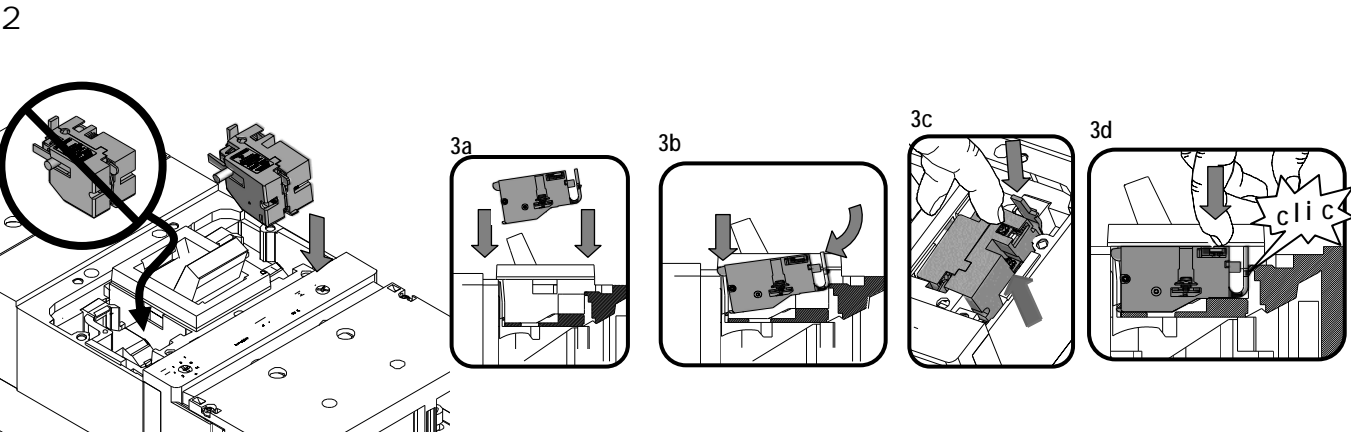
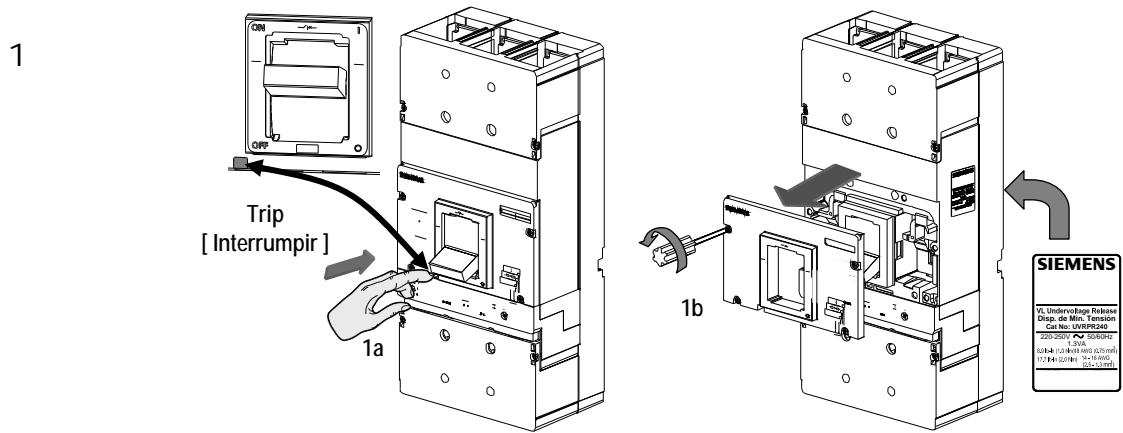
NOTE - These instructions do not purport to cover all details or variations in equipment, or to provide for every possible contingency to be met in connection with installation, operation or maintenance. Should further information be desired or should particular problems arise, which are not covered sufficiently for the purchaser's purposes, the matter should be referred to the local Siemens sales office. The contents of this instruction manual shall not become part of or modify any prior or existing agreement, commitment or relationship. The sales contract contains the entire obligation of Siemens. The warranty contained in the contract between the parties is the sole warranty of Siemens. Any statements contained herein do not create new warranties or modify the existing warranty.

Trademarks - Unless otherwise noted, all names identified by ® are registered trademarks of Siemens AG or Siemens Industry, Inc. The remaining trademarks in this publication may be trademarks whose use by third parties for their own purposes could violate the rights of the owner.



UVRPA12DC	3VL9800-1UN01 = 12V	} V ---
UVRPB24DC	3VL9800-1UP01 = 24V	
UVRPC48DC	3VL9800-1UU01 = 48V	
UVRPG60DC	3VL9800-1UV01 = 60V	
UVRPD125DC	3VL9800-1UR01 = 110-127V	
UVRPE250DC	3VL9800-1US01 = 220-250V	
UVRPN120	3VL9800-1UG01 = 110-127V	} V ~ 50 / 60 HZ
UVRPR240	3VL9800-1UH01 = 220-250V	
UVRPP208	3VL9800-1UM01 = 208V	
UVRPS277	3VL9800-1UQ01 = 277V	
UVRPT415	3VL9800-1UJ01 = 380-415V	
UVRPU480	3VL9800-1UK01 = 440-480V	





3

Option A  
[ Opción A ]

Option B  
[ Opción B ]

Torque [ Esfuerzo de Torsión ]	Wire Size [ Medida Cable ]
9 lb. in. [ 1.0 Nm ]	18 AWG [ 0.75mm <sup>2</sup> ]
18 lb. in. [ 2.0 Nm ]	16 - 14 AWG [ 1.3 - 2.5mm <sup>2</sup> ]
X	UVRPU480 = 440-480V



### **Danger**

**Hazardous Voltage.**  
Will cause death or serious injury.  
Turn off and lock out all power supplying this device before working on this device.  
Replace all covers before power supplying this device is turned on.

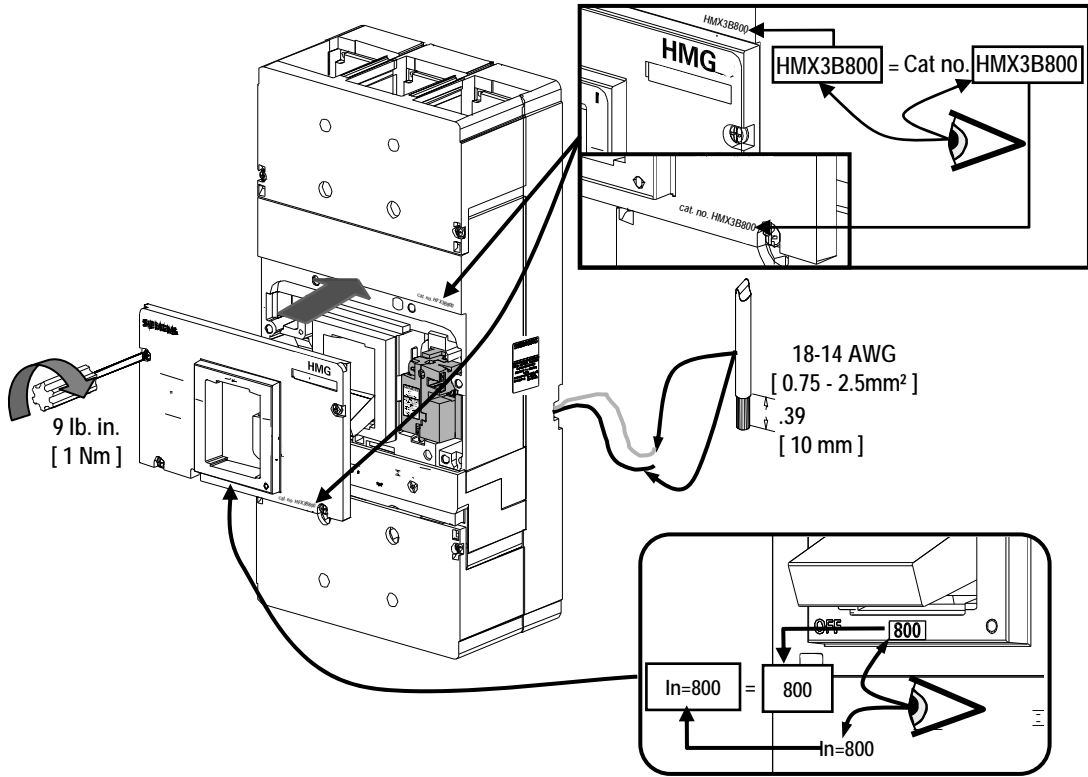
### **Peligro**

**Tensión peligrosa.**  
Puede causar la muerte o lesiones graves.  
Desenergice totalmente antes de instalar o darle servicio.  
Reemplace todas las barreras y cubiertas antes de energizar el interruptor.

### **Danger**

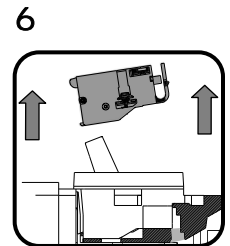
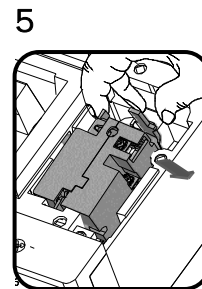
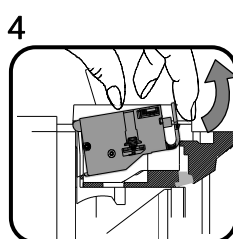
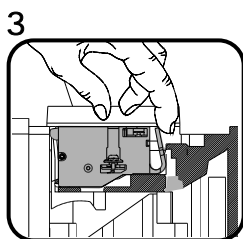
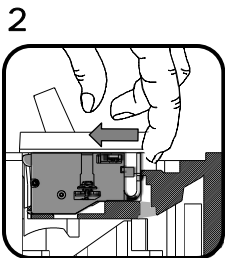
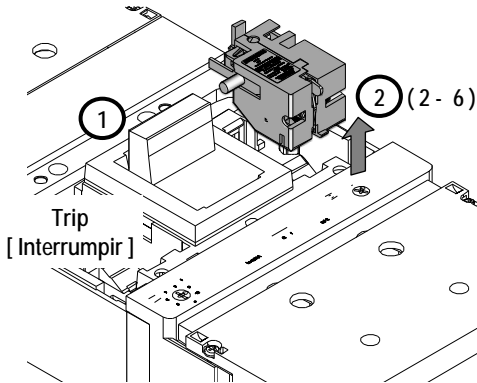
**Tension dangereuse.**  
Danger de mort ou risque de blessures graves.  
Couper l'alimentation de l'appareil et barrer avant de travailler.  
Remplacez tous les couverts avant que l'alprovisionnement de pouvoir soit alimenté.

4

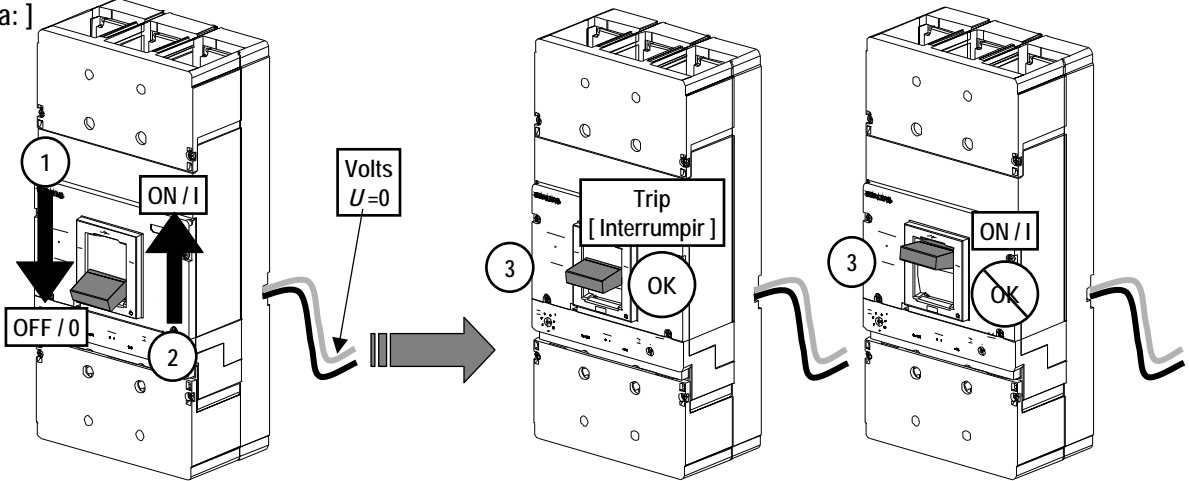


1

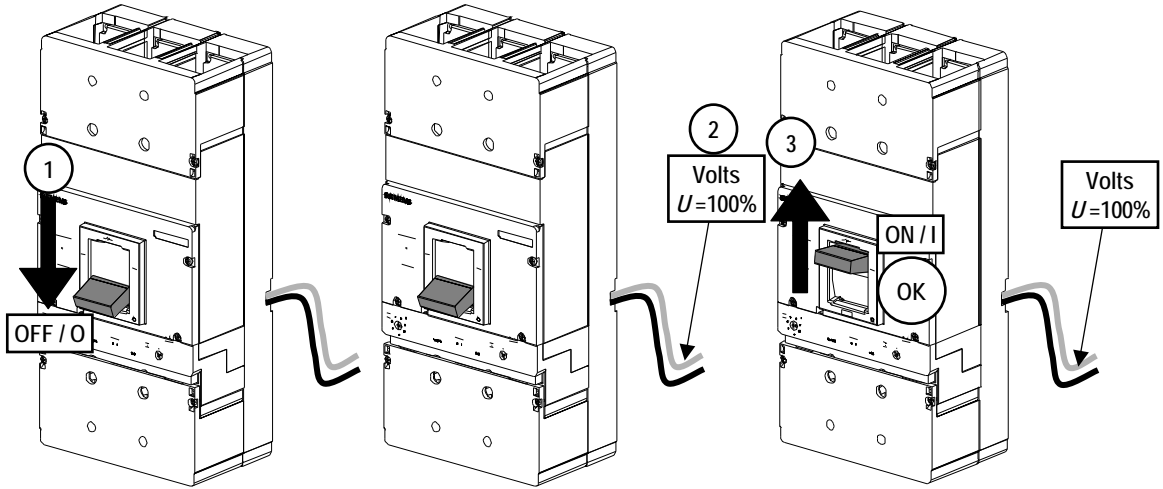
### Removal [ Remover ]



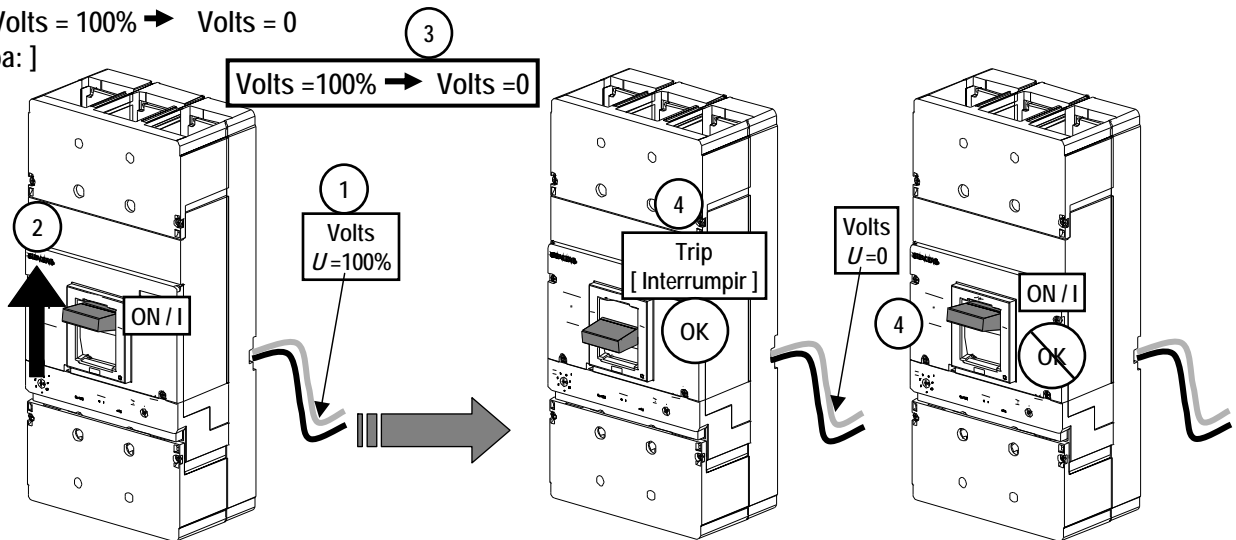
1 Test: Volts = 0  
[ Prueba: ]



2 Test: Volts = 100%  
[ Prueba: ]



3 Test: Volts = 100% → Volts = 0  
[ Prueba: ]



For Support in Europe refer to :

Bestell-Nr. / Order No.: 3ZX1012-0VL68-1AA5

Internet: [www.siemens.de/lowvoltage/technical-assistance](http://www.siemens.de/lowvoltage/technical-assistance)

GWA 4NEB 179 6824-10 DS 03

Technical Support:

Toll Free: 1-800-241-4453

Internet: [www.usa.siemens.com/powerdistribution](http://www.usa.siemens.com/powerdistribution)

Subject to change without prior notice  
Siemens Industry, Inc. , Norcross, GA 30092 U.S.A.