

Shunt Trip

Bobina de Apertura

Déclencheur à émission de courant

U.S. Cat. No.	Euro Order No.	U.S. Cat. No.	Euro Order No.
Item: STRPB24DC	3VL9800-1SC01	STRPM60	3VL9800-1SM01
STRPC60DC	3VL9800-1SJ01	STRPN120	3VL9800-1SR01
STRPD125DC	3VL9800-1SK01	STRPS277	3VL9800-1ST01
STRPE250DC	3VL9800-1SQ01	STRPV600	3VL9800-1SV01

For Use With Frame MG, NG, PG
Para Usar Con Caja Base MG, NG, PG

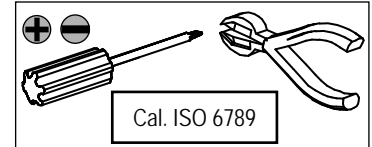
Installation Instructions / Instructivo de Instalación

	Danger	Peligro	Danger
	Hazardous Voltage. Will cause death or serious injury.	Tensión peligrosa. Puede causar la muerte o lesiones graves.	Tension dangereuse. Danger de mort ou risque de blessures graves.
	Turn off and lock out all power supplying this device before working on this device. Replace all covers before power supplying this device is turned on.	Desenergice totalmente antes de instalar o darle servicio. Reemplace todas las barreras y cubiertas antes de energizar el interruptor.	Couper l'alimentation de l'appareil et barrer avant de travailler. Remplacez tous les couverts avant que l'alimentation de pouvoir soit alimenté.

Use only with Siemens certified Components.

Utilizar únicamente con componentes certificados de Siemens.

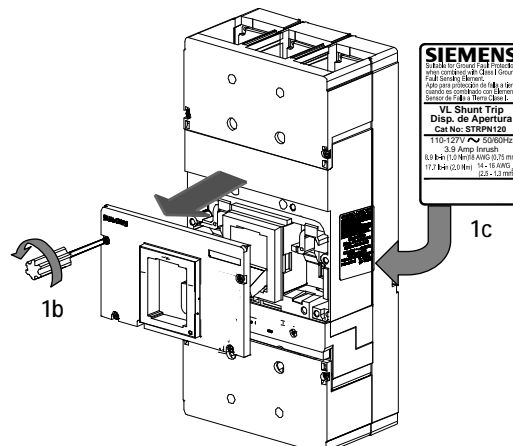
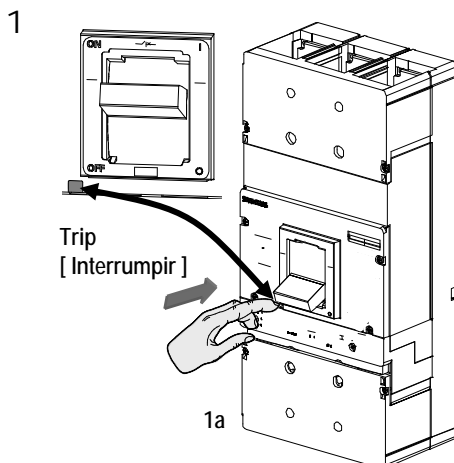
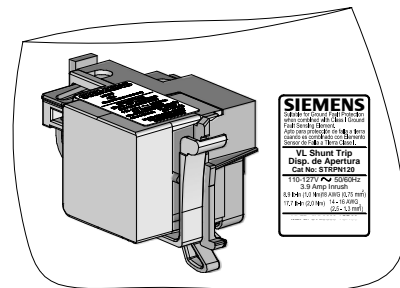
A utiliser uniquement avec les composants certifiés Siemens.



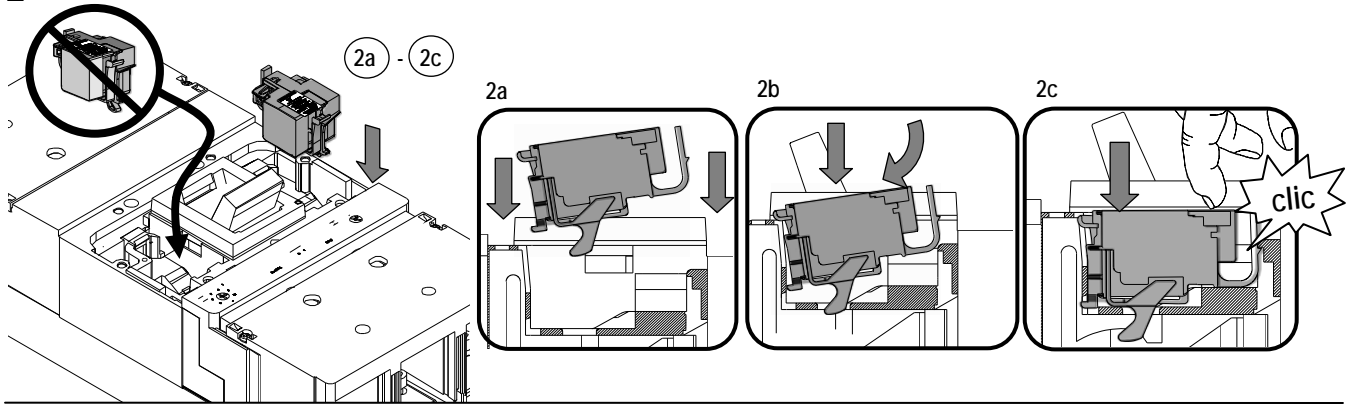
NOTE - These instructions do not purport to cover all details or variations in equipment, or to provide for every possible contingency to be met in connection with installation, operation or maintenance. Should further information be desired or should particular problems arise, which are not covered sufficiently for the purchaser's purposes, the matter should be referred to the local Siemens sales office. The contents of this instruction manual shall not become part of or modify any prior or existing agreement, commitment or relationship. The sales contract contains the entire obligation of Siemens. The warranty contained in the contract between the parties is the sole warranty of Siemens. Any statements contained herein do not create new warranties or modify the existing warranty.

STRPB24DC	3VL9800-1SC01 = 24V	} V ---
STRPC60DC	3VL9800-1SJ01 = 48 - 60V	
STRPD125DC	3VL9800-1SK01 = 110-127V	
STRPE250DC	3VL9800-1SQ01 = 220-250V	
STRPM60	3VL9800-1SM01 = 48-60V	} V ~ 50 / 60 HZ
STRPN120	3VL9800-1SR01 = 110-127V	
STRPS277	3VL9800-1ST01 = 208-277V	
STRPV600	3VL9800-1SV01 = 380-600V	

Trademarks - Unless otherwise noted, all names identified by ® are registered trademarks of Siemens AG or Siemens Industry, Inc. The remaining trademarks in this publication may be trademarks whose use by third parties for their own purposes could violate the rights of the owner.

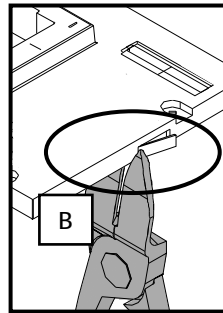
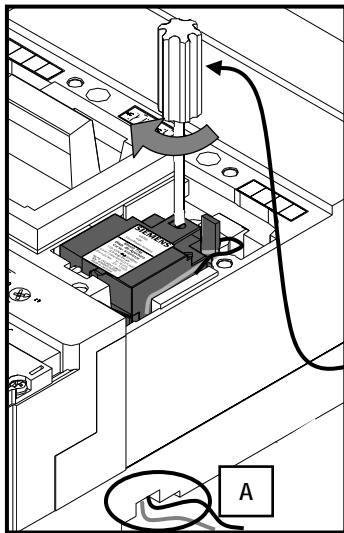


2

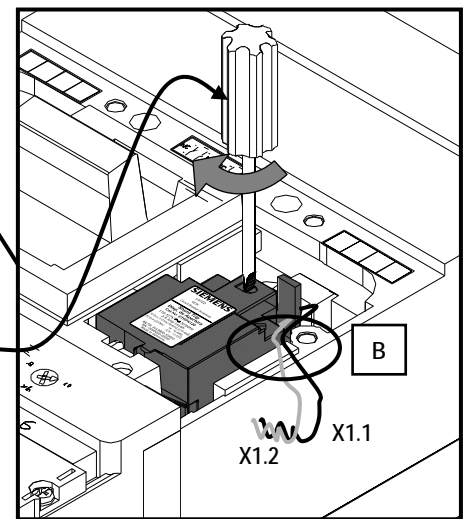


3 Option A
[Opción A]

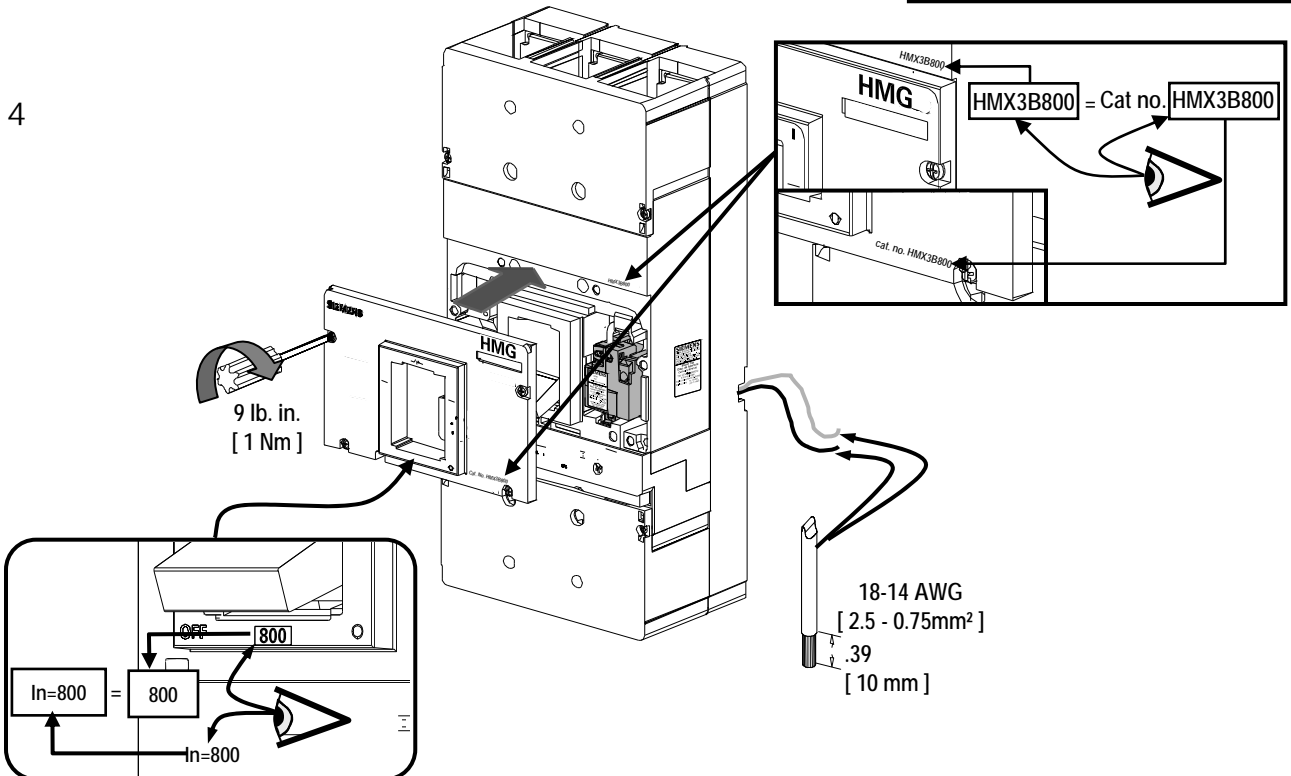
Option B
[Opción B]



Torque [Esfuerzo de Torsión]	Wire Size [Medida Cable]
9 lb. in. [1.0 Nm]	18 AWG [0.75mm ²]
18 lb. in. [2.0 Nm]	16 - 14 AWG [1.3 - 2.5mm ²]



4





Danger

Hazardous Voltage.
Will cause death or serious injury.
Turn off and lock out all power supplying this device before working on this device.
Replace all covers before power supplying this device is turned on.



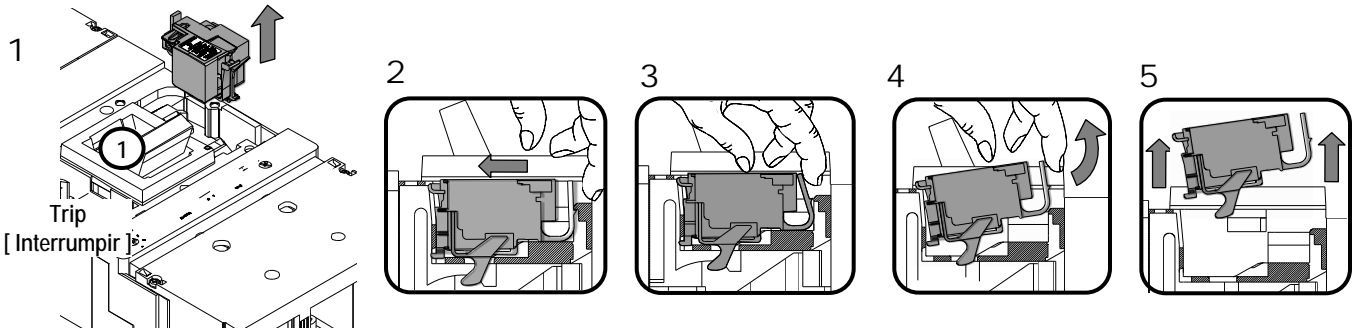
Peligro

Tensión peligrosa.
Puede causar la muerte o lesiones graves.
Desenergice totalmente antes de instalar o darle servicio.
Reemplace todas las barreras y cubiertas antes de energizar el interruptor.

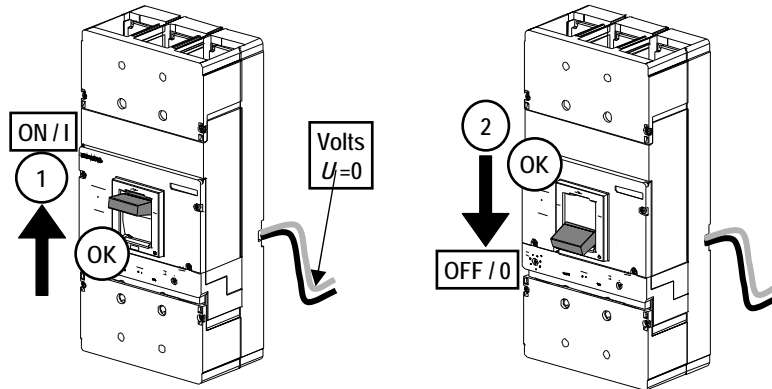
Danger

Tension dangereuse.
Danger de mort ou risque de blessures graves.
Couper l'alimentation de l'appareil et barrer avant de travailler.
Remplacez tous les couverts avant que l'alprovisionnement de pouvoir soit alimenté.

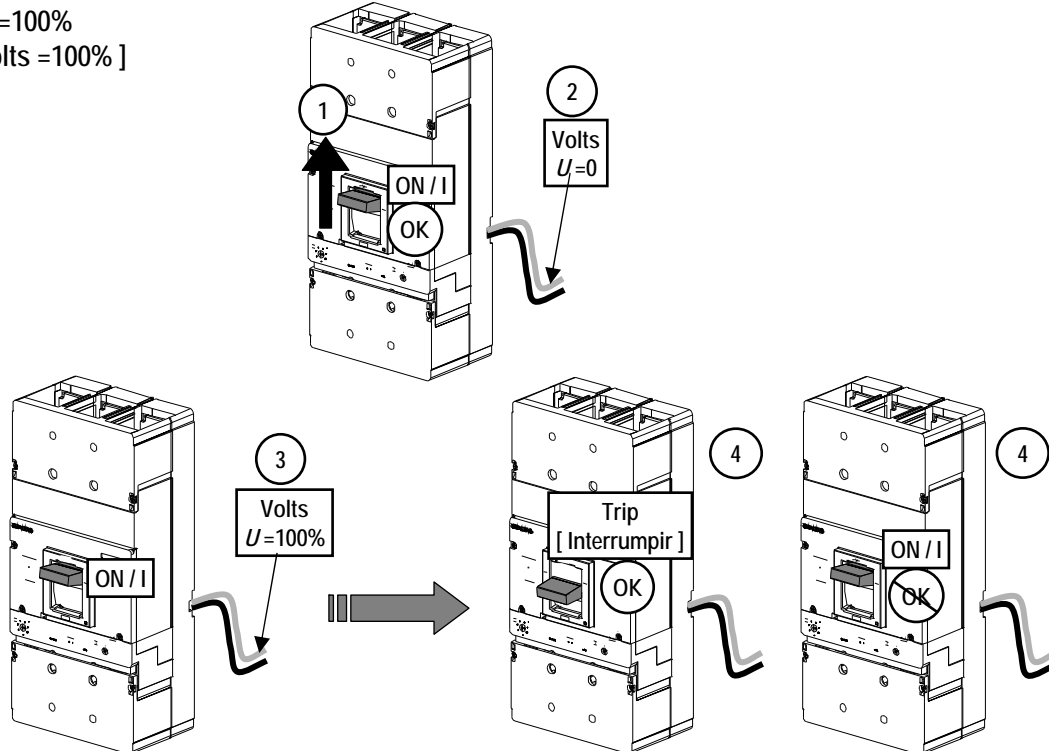
Removal [Remover]



1 Test: Volts = 0
[Prueba: Volts = 0]



2 Test: Volts =100%
[Prueba: Volts =100%]



For Support in Europe refer to :

Bestell-Nr. / Order No.: 3ZX1012-0VL68-1AA3

Internet: www.siemens.de/lowvoltage/technical-assistance

GWA 4NEB 179 6822-10 DS 03

Technical Support:

Toll Free: 1-800-241-4453

Internet: www.usa.siemens.com/powerdistribution

Subject to change without prior notice
Siemens Industry, Inc. , Norcross, GA 30092 U.S.A.