

Rear Terminals
 Conexión posterior
 Prises arrières

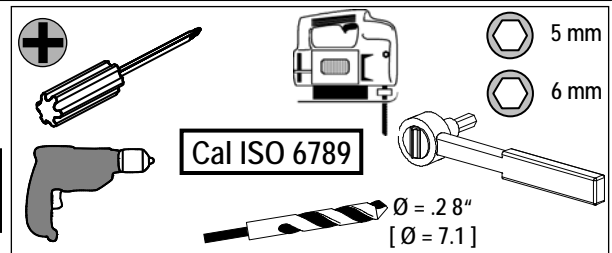
	U.S. Cat. No.	Euro Order No.
Item:	RTLMSF	3VL9600-4RG01
	RTLMLF	3VL9600-4RP01
	SRTMF3	3VL9600-4RH31
	SRTMF4	3VL9600-4RH41
	RTLNSF	3VL9700-4RG01
	SRTNF3	3VL9700-4RH31
	SRTNF4	3VL9700-4RJ41
	For Use With Frame MG, NG	
	Para Usar Con Caja Base MG, NG	

Installation Instructions / Instructivo de Instalación

	Danger	Peligro	Danger!
	Hazardous Voltage Will cause death or serious injury Turn off and lock out all power supplying this device before working on this device. Replace all covers before power supplying this device is turned on.	Tensión peligrosa. Puede causar la muerte o lesiones graves. Desenergice totalmente antes de instalar o darle servicio. Reemplace todas las barreras y cubiertas antes de energizar el interruptor.	Tension dangereuse. Danger de mort ou risque de blessures graves. Couper l'alimentation de l'appareil et barrer avant de travailler. Remplacez tous les couverts avant que l'approvisionnement de pouvoir soit alimenté.

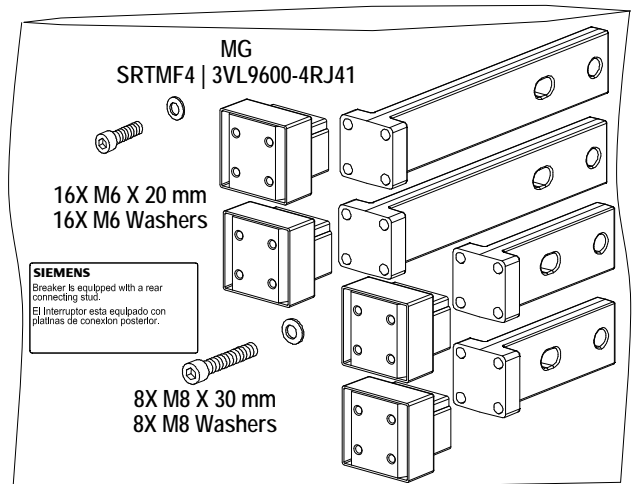
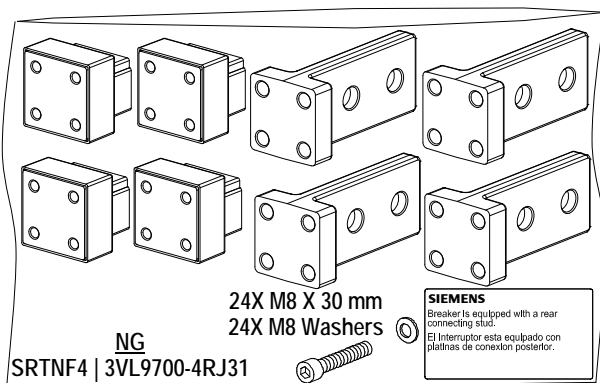
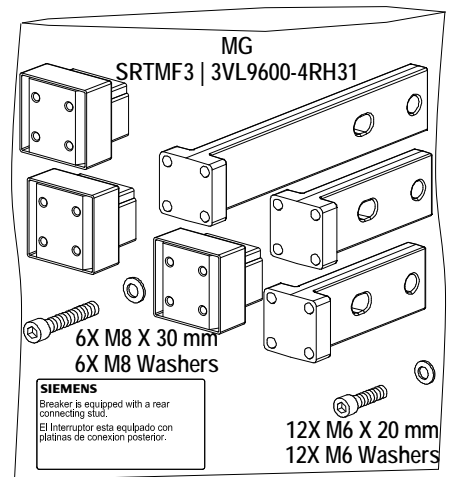
Use only with Siemens certified Components.
 Utilizar únicamente con componentes certificados de Siemens.
 A utiliser uniquement avec les composants certifiés Siemens.

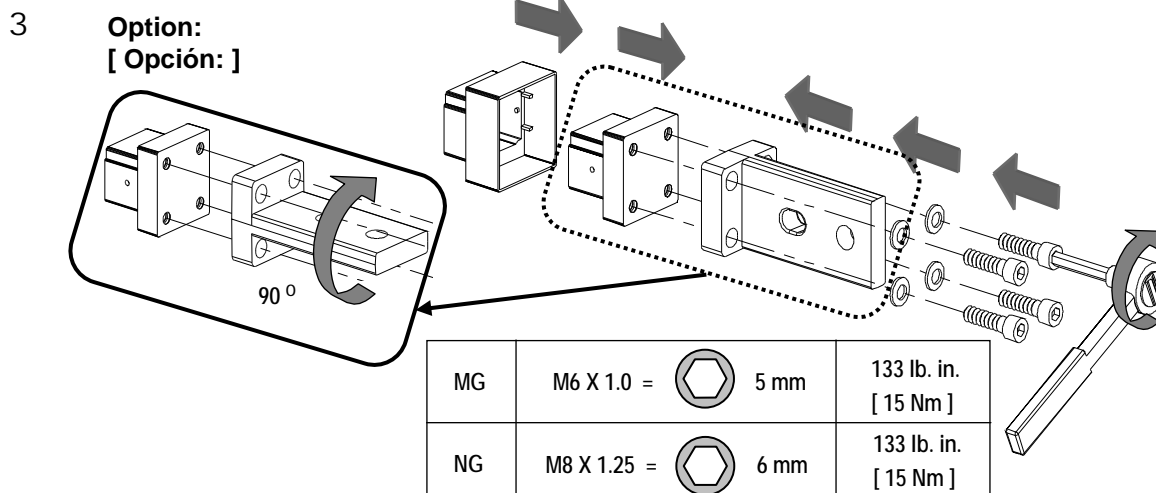
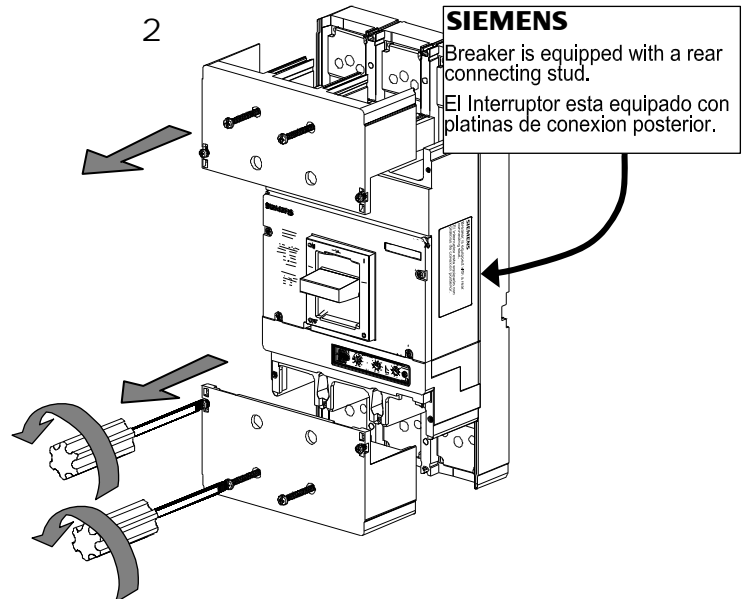
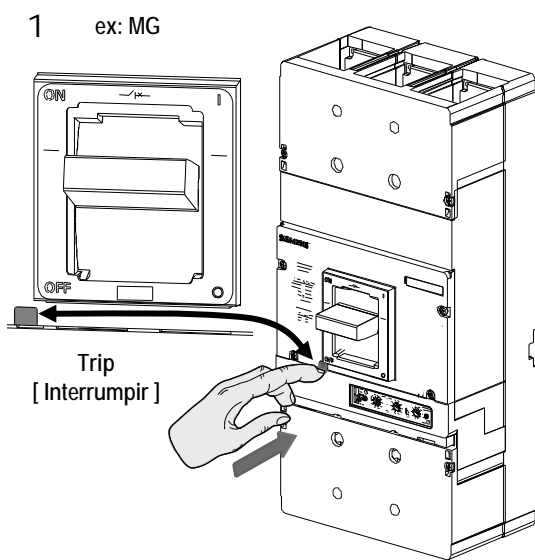
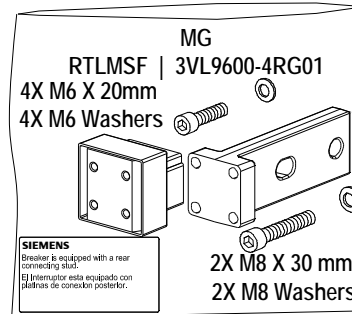
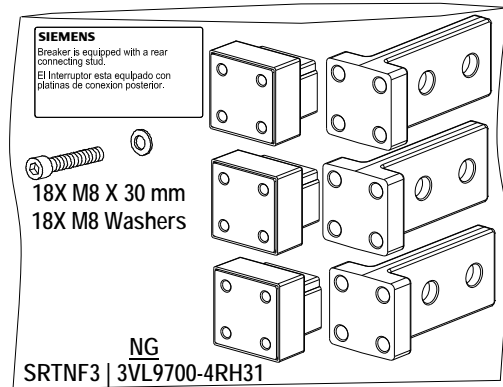
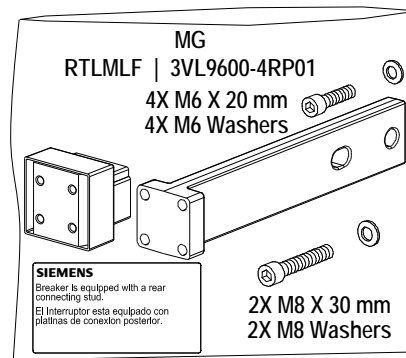
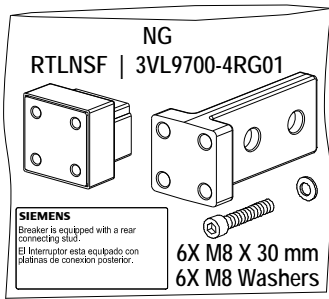
NOT suitable for use with 100% rated circuit breakers.
[NO para uso con interruptores a 100% intensidad continua.]



NOTE - These instructions do not purport to cover all details or variations in equipment, or to provide for every possible contingency to be met in connection with installation, operation or maintenance. Should further information be desired or should particular problems arise, which are not covered sufficiently for the purchaser's purposes, the matter should be referred to the local Siemens sales office. The contents of this instruction manual shall not become part of or modify any prior or existing agreement, commitment or relationship. The sales contract contains the entire obligation of Siemens. The warranty contained in the contract between the parties is the sole warranty of Siemens. Any statements contained herein do not create new warranties or modify the existing warranty.

Trademarks - Unless otherwise noted, all names identified by ® are registered trademarks of Siemens AG or Siemens Industry, Inc. The remaining trademarks in this publication may be trademarks whose use by third parties for their own purposes could violate the rights of the owner.







Danger

Hazardous Voltage
Will cause death or serious injury



Turn off and lock out all power supplying this device before working on this device.
Replace all covers before power supplying this device is turned on.

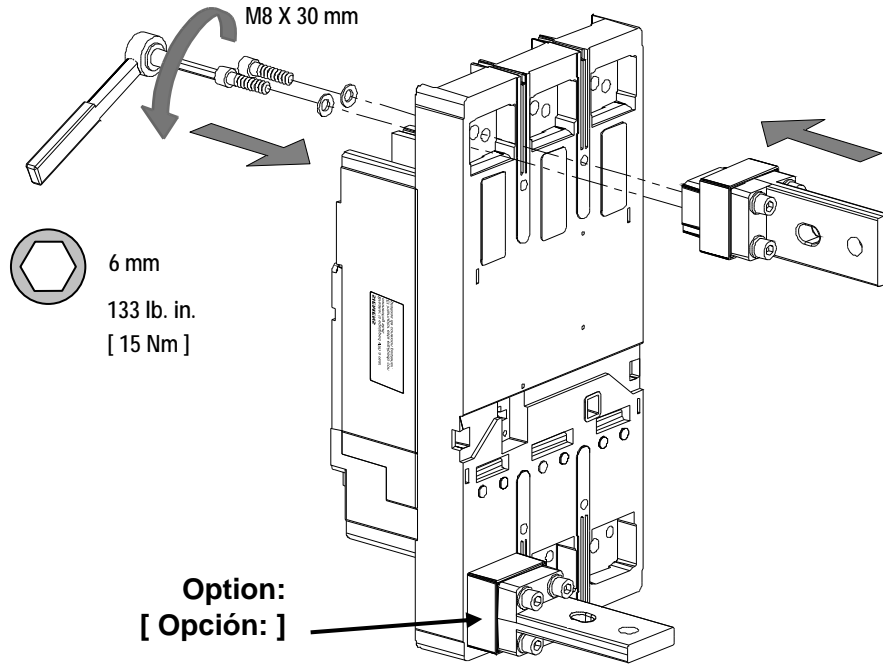
Peligro

Tensión peligrosa.
Puede causar la muerte o lesiones graves.
Desenergice totalmente antes de instalar o darle servicio.
Reemplace todas las barreras y cubiertas antes de energizar el interruptor.

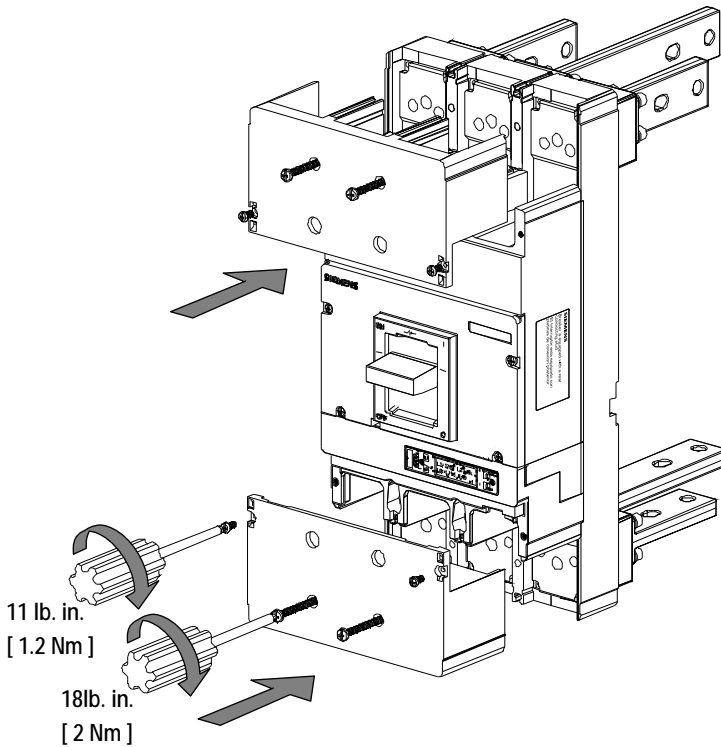
Danger!

Tension dangereuse.
Danger de mort ou risque de blessures graves.
Couper l'alimentation de l'appareil et barrer avant de travailler.
Remplacez tous les couverts avant que l'alprovisionnement de pouvoir soit alimenté.

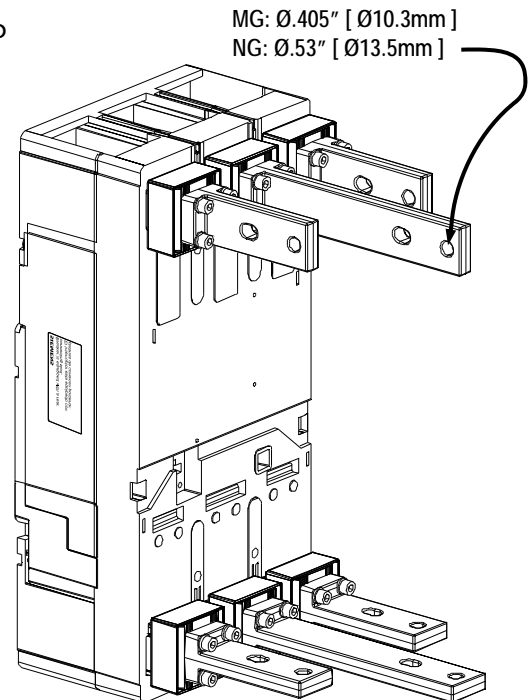
4



5

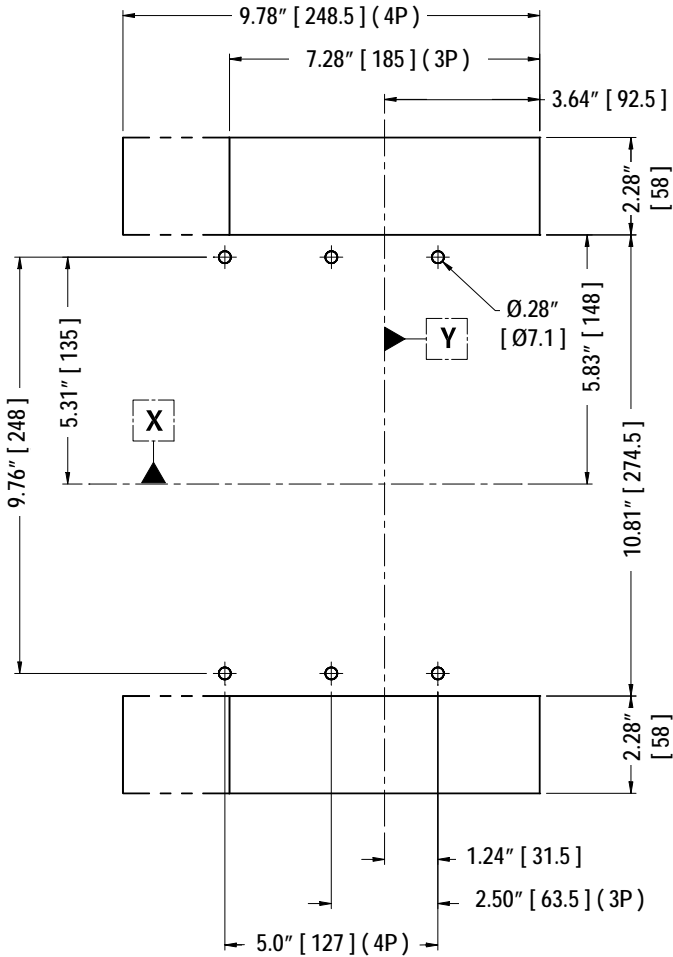


6



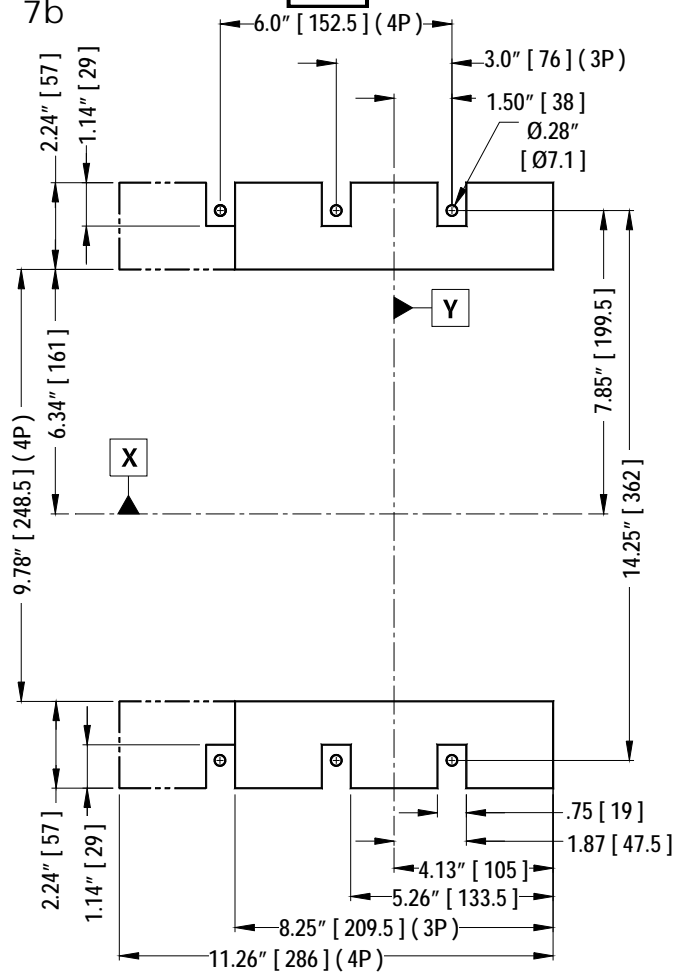
7a

MG



7b

NG



For Support in Europe refer to :

Bestell-Nr. / Order No.: 3ZX1012-0VL68-4AA8

Internet: www.siemens.de/lowvoltage/technical-assistance

GWA 4NEB 179 6869-10 DS 03

Technical Support:

Toll Free: 1-800-241-4453

Internet: www.usa.siemens.com/powerdistribution

Subject to change without prior notice
Siemens Industry, Inc., Norcross, GA 30092 U.S.A.