

	U.S. Cat. No.	Euro Order No.
Item:	TW1JG600	3VL9460-4TC01
	3TW1JG600	3VL9460-4TC31
	4TW1JG600	3VL9460-4TC41

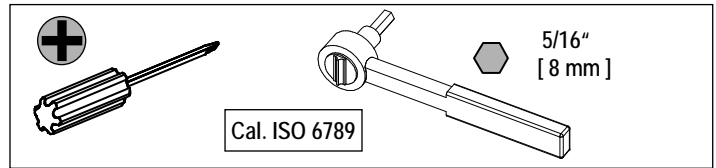
Wrap-Around Terminals for Cu
 Bornes de conexión tipo marco para Cu
 Boite à bornes pour raccordement de cable Cu

For Use With Frame JG
 Para Usar Con Caja Base JG

Installation Instructions / Instructivo de Instalación

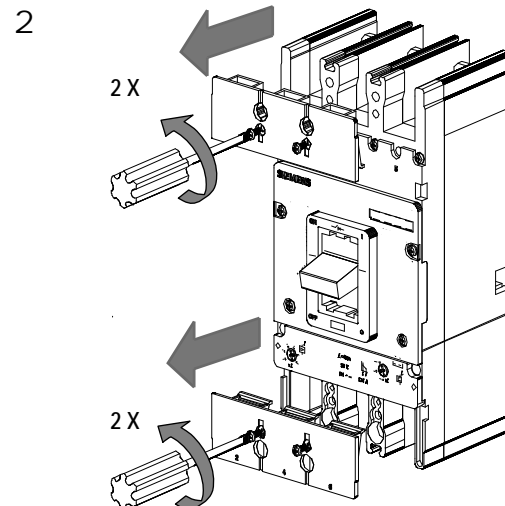
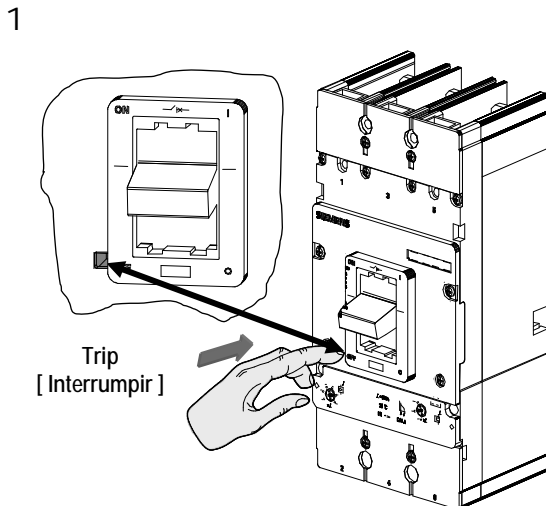
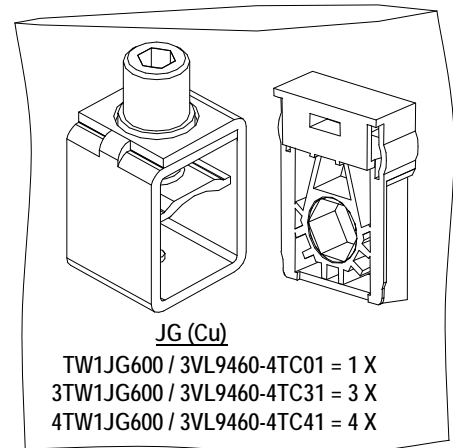
	 Danger	 Peligro	 Danger
	Hazardous Voltage. Will cause death or serious injury. Turn off and lock out all power supplying this device before working on this device. Replace all covers before power supplying this device is turned on.	Tensión peligrosa. Puede causar la muerte o lesiones graves. Desenergice totalmente antes de instalar o darle servicio. Reemplace todas las barreras y cubiertas antes de energizar el interruptor.	Tension dangereuse. Danger de mort ou risque de blessures graves. Couper l'alimentation de l'appareil et barrer avant de travailler. Remplacez tous les couverts avant que l'alimentation de pouvoir soit alimenté.

Use only with Siemens certified Components.
 Utilizar únicamente con componentes certificados de Siemens.
 A utiliser uniquement avec les composants certifiés Siemens.

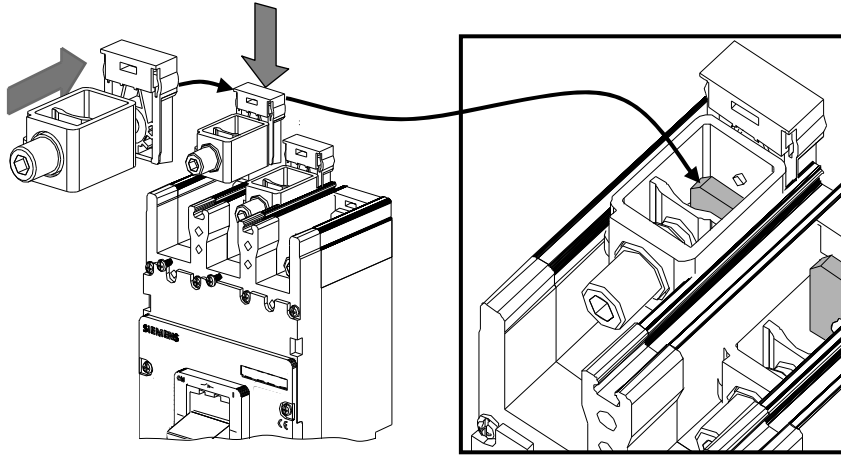


NOTE - These instructions do not purport to cover all details or variations in equipment, or to provide for every possible contingency to be met in connection with installation, operation or maintenance. Should further information be desired or should particular problems arise, which are not covered sufficiently for the purchaser's purposes, the matter should be referred to the local Siemens sales office. The contents of this instruction manual shall not become part of or modify any prior or existing agreement, commitment or relationship. The sales contract contains the entire obligation of Siemens. The warranty contained in the contract between the parties is the sole warranty of Siemens. Any statements contained herein do not create new warranties or modify the existing warranty.

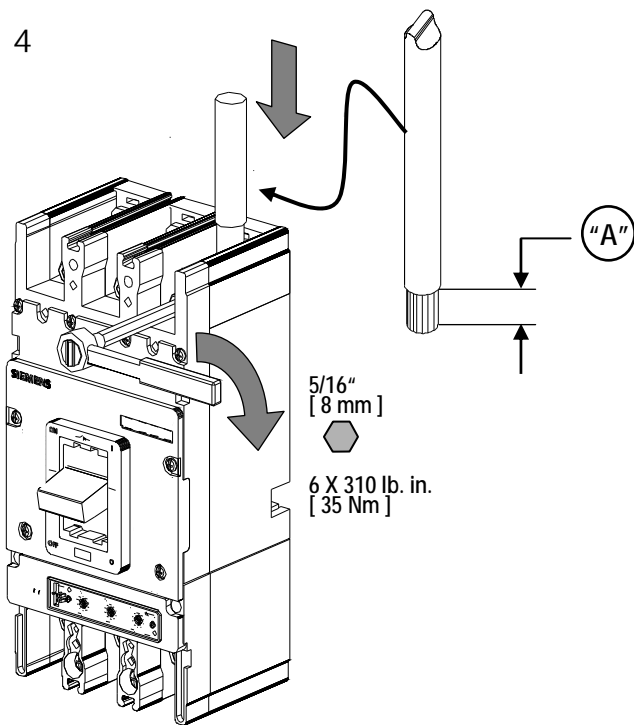
Trademarks - Unless otherwise noted, all names identified by ® are registered trademarks of Siemens AG or Siemens Industry, Inc. The remaining trademarks in this publication may be trademarks whose use by third parties for their own purposes could violate the rights of the owner.



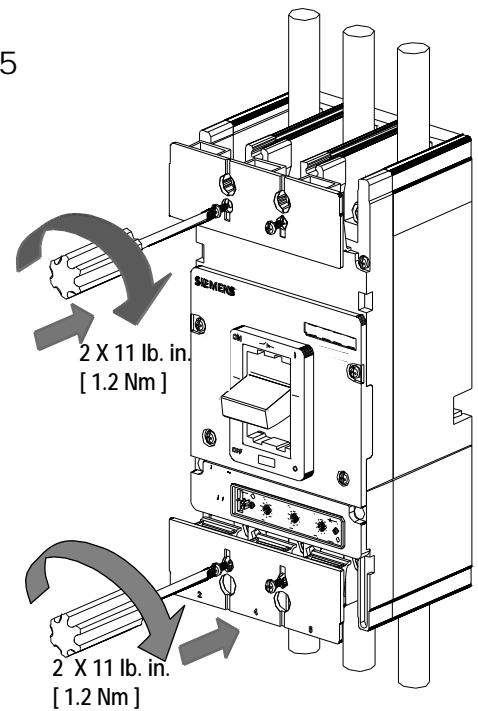
3

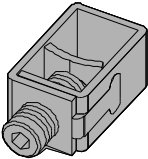


4



5



Wire Connector [Conexión del cable]	Wire Size [Rango Cable]	UL 486A - 486B Req. Wire Stranding (Cable)		Torque [esfuerzo de torsión]	Wire Strip Length [Quitar]
		CU only Class B	CU only Class C		"A"
 5/16" OR [8 mm]	Cu Only 1/0 AWG – 600 kcmil [70 – 300 mm ²]	1/0 – 4/0 AWG [70 – 95 mm ²]	1/0 – 4/0 AWG [70 – 95 mm ²]	310 lb.in. [35 Nm]	1.40" [36 mm]
		19 STRANDS	37 STRANDS		
		250 - 600 kcmil [150 – 300 mm ²]	250 - 600 kcmil [150 – 300 mm ²]		
		37 STRANDS	61 STRANDS		

For Support in Europe refer to :

Bestell-Nr. / Order No.: 3ZX1012-0VL68-5AA3

Internet: www.siemens.de/lowvoltage/technical-assistance

GWA 4NEB 179 6873-10 DS 03

Technical Support:

Toll Free: 1-800-241-4453

Internet: www.usa.siemens.com/powerdistribution

Subject to change without prior notice
Siemens Industry, Inc. , Norcross, GA 30092 U.S.A.