

# SIEMENS

Compression Lugs  
Bornes de Compresión  
Connexion Compression

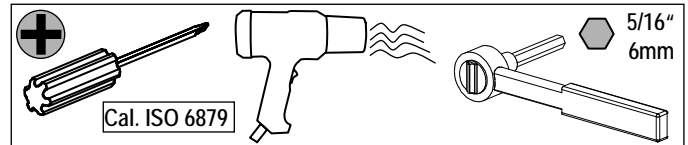
|       | U.S. Cat. No. | Euro Order No. |
|-------|---------------|----------------|
| item: | 3CLJ350       | 3VL9435-4TM31  |
|       | 3CLJ600       | 3VL9460-4TM31  |
|       | 3CLJ750       | 3VL9475-4TM31  |
|       | 6CLL350       | 3VL9435-4TM61  |
|       | 6CLL600       | 3VL9460-4TM61  |
|       | 6CLL750       | 3VL9475-4TM31  |

For Use With Frame JG, LG  
Para Usar Con Caja Base JG, LG

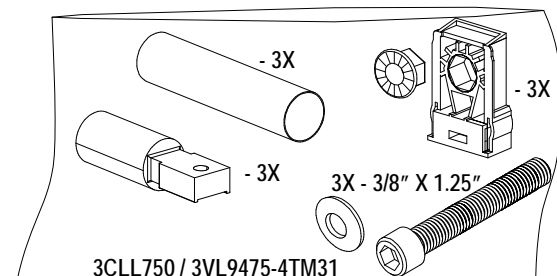
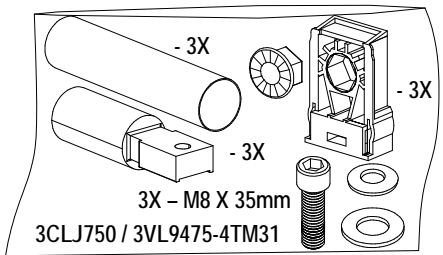
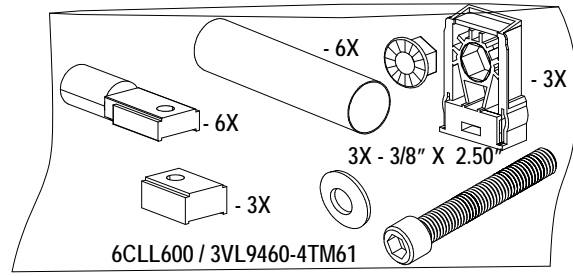
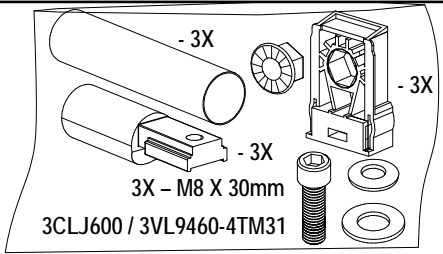
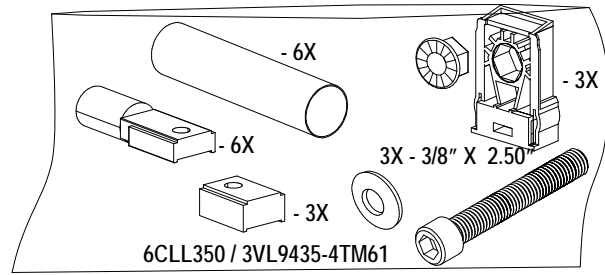
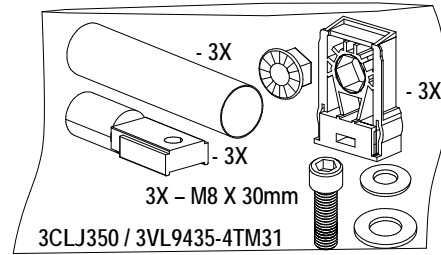
Installation Instructions / Instructivo de Instalación

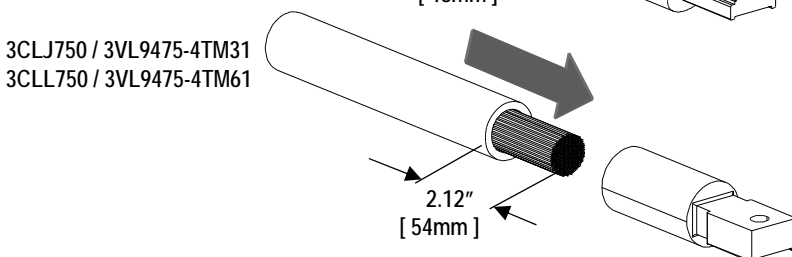
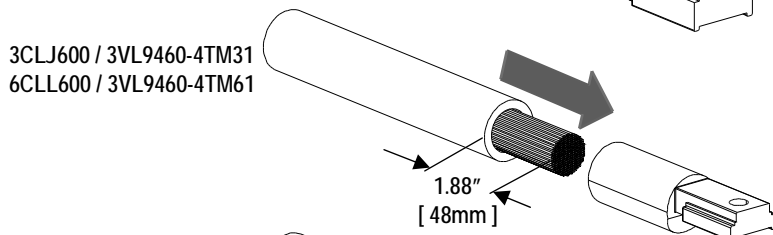
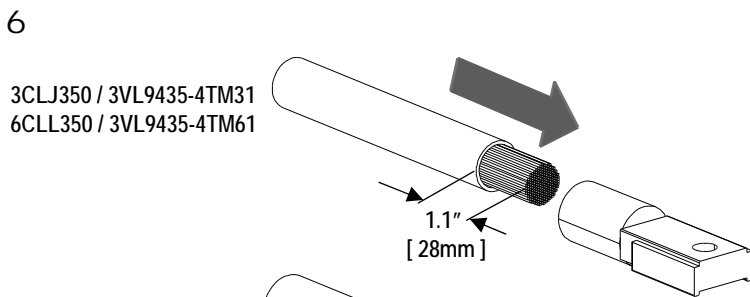
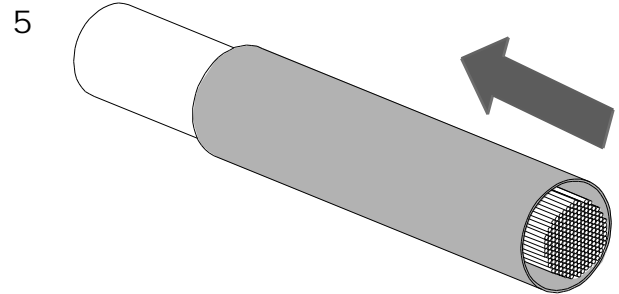
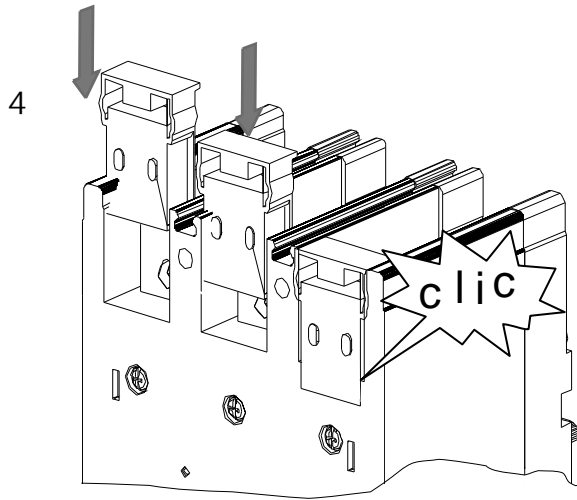
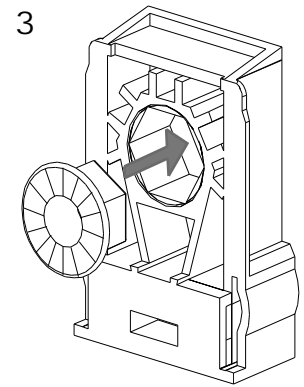
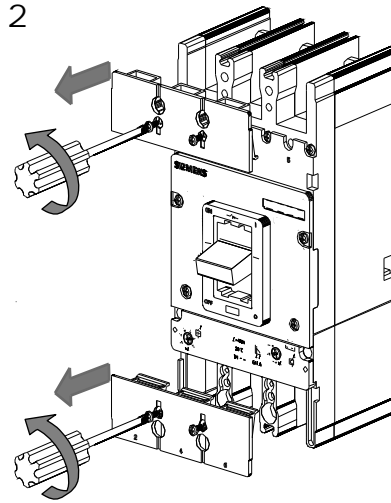
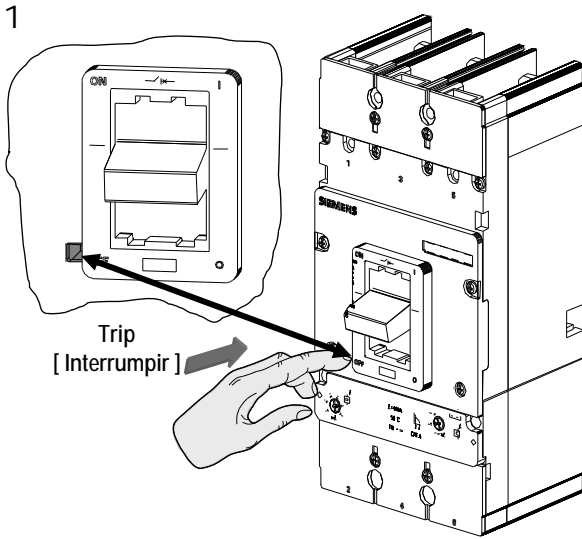
|  | <b>Danger</b>                                                                                                                                               | <b>Peligro</b>                                                                                                                            | <b>Danger</b>                                                                                                                                             |
|-----------------------------------------------------------------------------------|-------------------------------------------------------------------------------------------------------------------------------------------------------------|-------------------------------------------------------------------------------------------------------------------------------------------|-----------------------------------------------------------------------------------------------------------------------------------------------------------|
|                                                                                   | <b>Hazardous Voltage.</b><br>Will cause death or serious injury.                                                                                            | <b>Tensión peligrosa.</b><br>Puede causar la muerte o lesiones graves.                                                                    | <b>Tension dangereuse.</b><br>Danger de mort ou risque de blessures graves.                                                                               |
|  | Turn off and lock out all power supplying this device before working on this device.<br>Replace all covers before power supplying this device is turned on. | Desenergice totalmente antes de instalar o darle servicio.<br>Reemplace todas las barreras y cubiertas antes de energizar el interruptor. | Couper l'alimentation de l'appareil et barrer avant de travailler.<br>Remplacez tous les couverts avant que l'alprovisionnement de pouvoir soit alimenté. |

Use only with Siemens certified Components.  
Utilizar únicamente con componentes certificados de Siemens.  
A utiliser uniquement avec les composants certifiés Siemens.



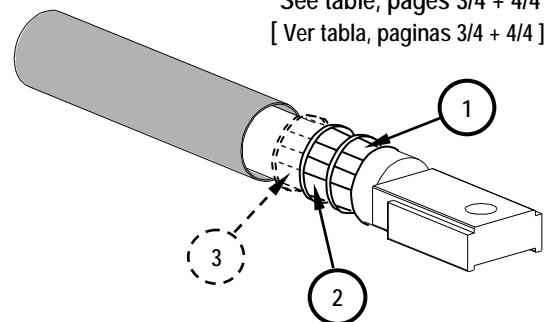
NOTE - These instructions do not purport to cover all details or variations in equipment, or to provide for every possible contingency to be met in connection with installation, operation or maintenance. Should further information be desired or should particular problems arise, which are not covered sufficiently for the purchaser's purposes, the matter should be referred to the local Siemens sales office. The contents of this instruction manual shall not become part of or modify any prior or existing agreement, commitment or relationship. The sales contract contains the entire obligation of Siemens. The warranty contained in the contract between the parties is the sole warranty of Siemens. Any statements contained herein do not create new warranties or modify the existing warranty.  
Trademarks - Unless otherwise noted, all names identified by ® are registered trademarks of Siemens AG or Siemens Industry, Inc. The remaining trademarks in this publication may be trademarks whose use by third parties for their own purposes could violate the rights of the owner.





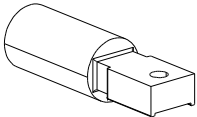
7 No. of Crimps [ Cantidad de Compresiones ]

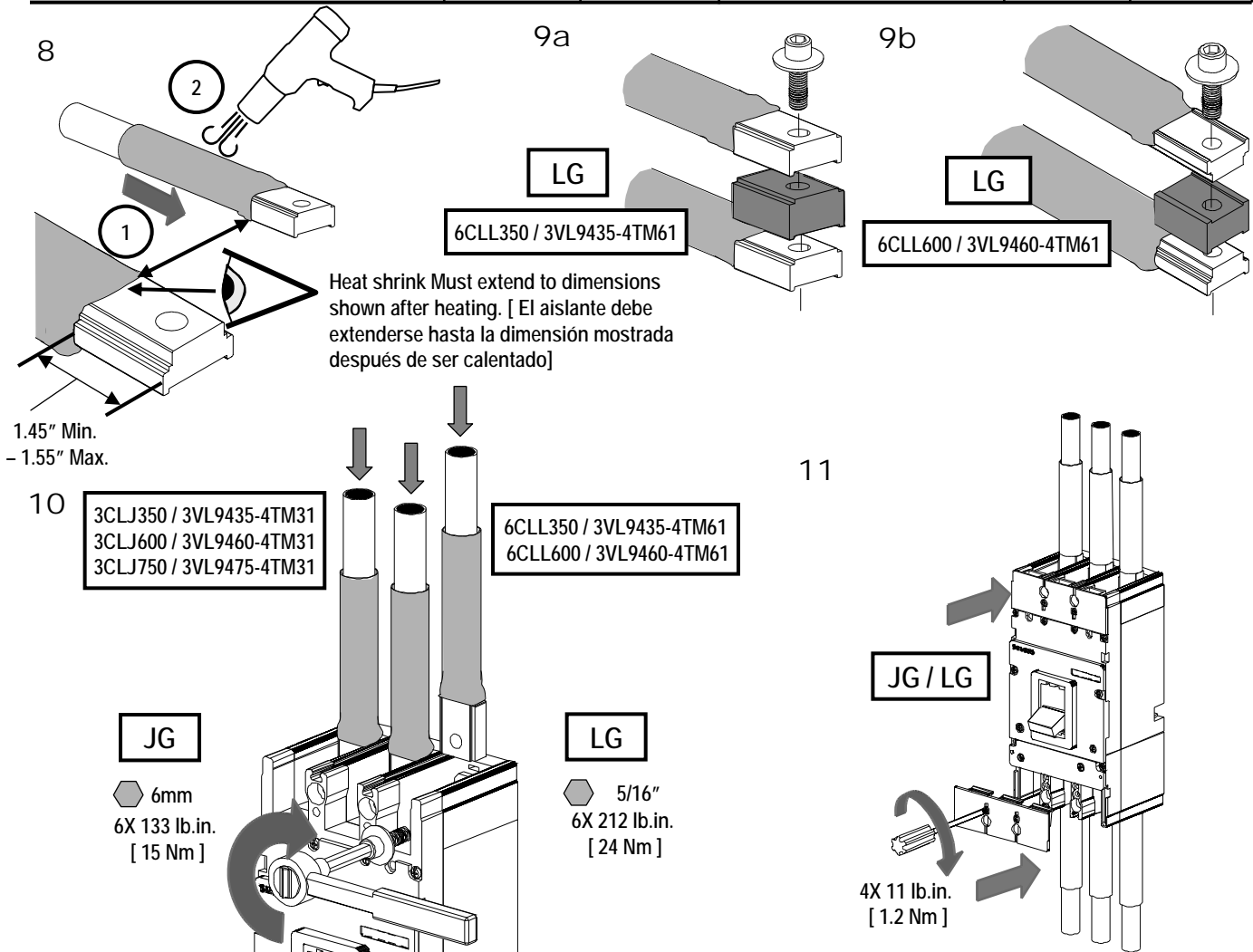
See table, pages 3/4 + 4/4  
[ Ver tabla, paginas 3/4 + 4/4 ]



|  |                                                                                                                                                                                                                                 |                                                                                                                                                                                                                     |                                                                                                                                                                                                                                     |
|--|---------------------------------------------------------------------------------------------------------------------------------------------------------------------------------------------------------------------------------|---------------------------------------------------------------------------------------------------------------------------------------------------------------------------------------------------------------------|-------------------------------------------------------------------------------------------------------------------------------------------------------------------------------------------------------------------------------------|
|  | <b>⚠ Danger</b>                                                                                                                                                                                                                 | <b>⚠ Peligro</b>                                                                                                                                                                                                    | <b>⚠ Danger</b>                                                                                                                                                                                                                     |
|  | <b>Hazardous Voltage.</b><br>Will cause death or serious injury.<br>Turn off and lock out all power supplying this device before working on this device.<br>Replace all covers before power supplying this device is turned on. | <b>Tensión peligrosa.</b><br>Puede causar la muerte o lesiones graves.<br>Desenergice totalmente antes de instalar o darle servicio.<br>Reemplace todas las barreras y cubiertas antes de energizar el interruptor. | <b>Tension dangereuse.</b><br>Danger de mort ou risque de blessures graves.<br>Couper l'alimentation de l'appareil et barrer avant de travailler.<br>Remplacez tous les couverts avant que l'alimentation de pouvoir soit alimenté. |

| Compression Tool and Die chart for copper and aluminum conductors<br>[ Tabla de herramienta y molde para conductores de aluminio y cobre ] |                                                  |                                          |                                                 |                                  |                                               | UL 486A - 486B<br>Req. Wire Stranding<br>[ Cable ] |                  |
|--------------------------------------------------------------------------------------------------------------------------------------------|--------------------------------------------------|------------------------------------------|-------------------------------------------------|----------------------------------|-----------------------------------------------|----------------------------------------------------|------------------|
|                                                                                                                                            | Wire Size<br>[ Rango Cable ]                     | Tool Mfg.<br>[ Suplidor de Herramienta ] | Tool No.<br>[ Número de Herramienta ]           | Die No.<br>[ Troquel Número de ] | No. of Crimps<br>[ Cantidad de Compresiones ] | CU / AL<br>Class<br>B                              | CU<br>Class<br>C |
| 3CLJ350 / 3VL9435-4TM31<br>6CLL350 / 3VL9435-4TM61<br>                                                                                     | 350 kcmil                                        | Homac                                    | UT - 15                                         | 76                               | 2                                             | 37                                                 | 61               |
|                                                                                                                                            |                                                  | T & B                                    | TMB-15                                          |                                  |                                               |                                                    |                  |
|                                                                                                                                            |                                                  | Burndy                                   | Y - 35                                          | 249                              | 1                                             |                                                    |                  |
|                                                                                                                                            |                                                  |                                          |                                                 | 324<br>658                       | 2                                             |                                                    |                  |
|                                                                                                                                            | Kearny                                           | WH - 2                                   | 840                                             | 4                                |                                               |                                                    |                  |
|                                                                                                                                            | 6 - 2 kcmil<br>[ 16 - 35 mm <sup>2</sup> ]       | Hubbell -<br>Anderson                    | VC - 6                                          | -----                            | 1                                             | 7                                                  | 19               |
|                                                                                                                                            | 1 - 4 / 0 kcmil<br>[ 50 - 95 mm <sup>2</sup> ]   |                                          |                                                 |                                  |                                               | 19                                                 | 37               |
| 250 - 350 kcmil<br>[ 120 - 150 mm <sup>2</sup> ]                                                                                           | 37                                               |                                          |                                                 |                                  |                                               | 61                                                 |                  |
| Compression Tool and Die chart for copper and aluminum conductors<br>[ Tabla de herramienta y molde para conductores de aluminio y cobre ] |                                                  |                                          |                                                 |                                  |                                               | UL 486A - 486B Req.<br>Wire Stranding [ Cable ]    |                  |
|                                                                                                                                            | Wire Size<br>[ Rango Cable ]                     | Tool Mfg.<br>[ Suplidor de Herramienta ] | Tool No.<br>[ Número de Herramienta ]           | Die No.<br>[ Troquel Número de ] | No. of Crimps<br>[ Cantidad de Compresiones ] | CU / AL<br>Class<br>B                              | CU<br>Class<br>C |
| 3CLJ600 / 3VL9460-4TM31<br>6CLL600 / 3VL9460-4TM61<br>                                                                                     | 600 kcmil                                        | Homac                                    | UT - 15                                         | 160A                             | 3                                             | 61                                                 | 91               |
|                                                                                                                                            |                                                  | Burndy                                   | Y - 35<br>Y - 39<br>Y - 750<br>Y - 45<br>Y - 46 | 300<br>317                       | 3                                             |                                                    |                  |
|                                                                                                                                            |                                                  |                                          |                                                 | Kearny                           | WH - 2                                        |                                                    |                  |
|                                                                                                                                            | 250 - 500 kcmil<br>[ 150 - 240 mm <sup>2</sup> ] | Hubbell -<br>Anderson                    | VC - 6 - FT                                     | -----                            | 3                                             | 37<br>AL - ONLY                                    |                  |
|                                                                                                                                            | 600 kcmil<br>[ 300 mm <sup>2</sup> ]             |                                          |                                                 |                                  |                                               | 61<br>AL - ONLY                                    |                  |

| Compression Tool and Die chart for copper and aluminum conductors<br>[ Tabla de herramienta y molde para conductores de aluminio y cobre ] |                                                  |                                          |                                                 |                                  |                                               | UL 486A - 486B<br>Req. Wire Stranding<br>( Cable ) |                  |
|--------------------------------------------------------------------------------------------------------------------------------------------|--------------------------------------------------|------------------------------------------|-------------------------------------------------|----------------------------------|-----------------------------------------------|----------------------------------------------------|------------------|
|                                                                                                                                            | Wire Size<br>[ Rango Cable ]                     | Tool Mfg.<br>[ Suplidor de Herramienta ] | Tool No.<br>[ Número de Herramienta ]           | Die No.<br>[ Troquel Número de ] | No. of Crimps<br>[ Cantidad de Compresiones ] | CU / AL<br>Class<br>B                              | CU<br>Class<br>C |
| 3CLJ750 / 3VL9475-4TM31<br>3CLL750 / 3VL9475-4TM31<br>    | 750 kcmil                                        | Homac                                    | UT - 15                                         | 115H                             | 3                                             | 61                                                 | 91               |
|                                                                                                                                            |                                                  | Burndy                                   | Y - 35<br>Y - 39<br>Y - 750<br>Y - 45<br>Y - 46 | 473<br>786<br>936                | 3                                             |                                                    |                  |
|                                                                                                                                            |                                                  | Kearny                                   | WH - 2                                          | 1 5/16                           | 3                                             |                                                    |                  |
|                                                                                                                                            | 250 - 500 kcmil<br>[ 150 - 185 mm <sup>2</sup> ] | Hubbell -<br>Anderson                    | VC - 6 - FT                                     | -----                            | 3                                             | 37                                                 | 61               |
|                                                                                                                                            | 600 - 750 kcmil<br>[ 240 - 300 mm <sup>2</sup> ] |                                          |                                                 |                                  |                                               | 61                                                 | 91               |



**For Support in Europe refer to :**

Bestell-Nr. / Order No.: 3ZX1012-0VL68-3AA5      Internet: [www.siemens.de/lowvoltage/technical-assistance](http://www.siemens.de/lowvoltage/technical-assistance)      GWA 4NEB 179 6855-10 DS 05

Technical Support:      Toll Free: 1-800-241-4453      Internet: [www.usa.siemens.com/powerdistribution](http://www.usa.siemens.com/powerdistribution)