

Circuit Breaker, 600VDC
 Interruptor, Caja Base 600VDC
 Disjoncteur, de base 600VDC

U.S. Cat. No.	Euro Order No.
HJC3B_0	3VL46_-2KN30-0AA0
HLC3B_0	3VL48_0-2KN30-0AA0

Frame: JG, LG - Type HJGD, HLGD
 Caja Base: JG, LG - Tipo HJGD, HLGD

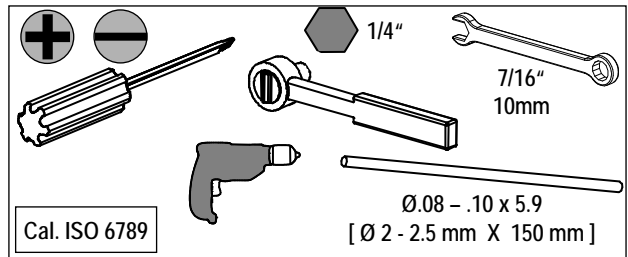
Installation Instructions / Instructivo de Instalación

 Danger	 Peligro	 Danger!
Hazardous Voltage Will cause death or serious injury Turn off and lock out all power supplying this device before working on this device. Replace all covers before power supplying this device is turned on.	Tensión peligrosa. Puede causar la muerte o lesiones graves. Desenergice totalmente antes de instalar o darle servicio. Reemplace todas las barreras y cubiertas antes de energizar el interruptor.	Tension dangereuse. Danger de mort ou risque de blessures graves. Couper l'alimentation de l'appareil et barrer avant de travailler. Remplacez tous les couverts avant que l'alprovisionnement de pouvoir soit alimenté.

Use only with Siemens certified Components.
 Utilizar únicamente con componentes certificados de Siemens.
 A utiliser uniquement avec les composants certifiés Siemens .

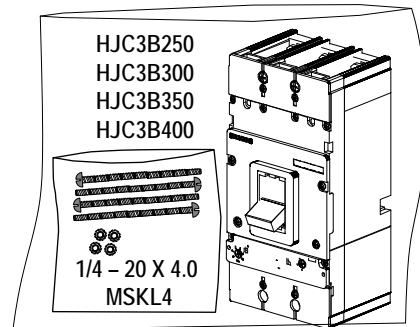
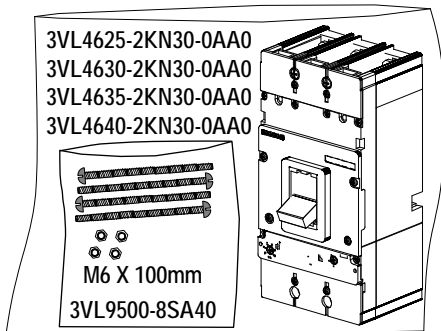
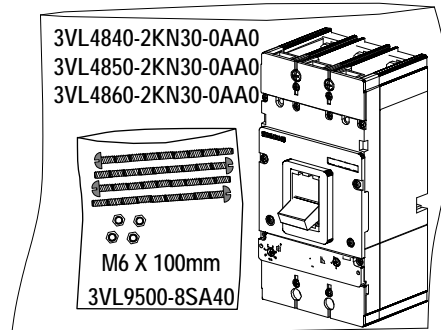
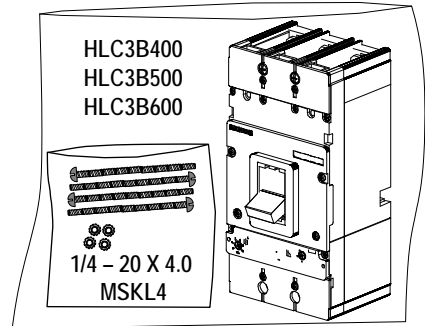
NOTICE:
[AVISO:]

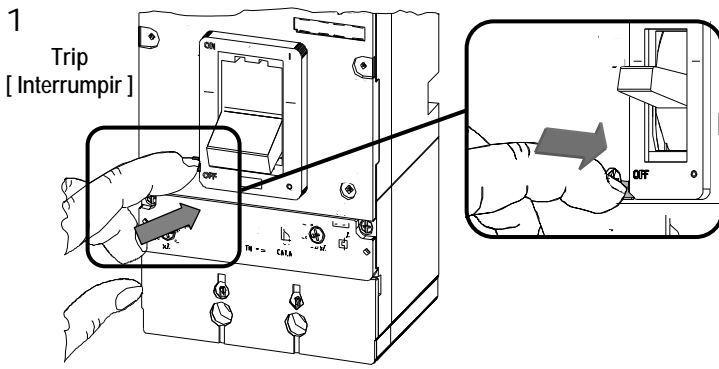
Only Qualified Personnel should work on this equipment, after becoming thoroughly familiar with all warnings, safety notices and maintenance procedures contained here in and on the devices.
 A Qualified person is one as defined in NFPA 70.
 [Solamente personal calificado debe trabajar en este equipo, después de familiarizarse a fondo con todas las advertencias, avisos de seguridad, y procedimientos de mantenimiento contenidas aquí y en los dispositivos.
 Una persona calificada es una como se define en el NFPA 70.]



NOTE - These instructions do not purport to cover all details or variations in equipment, or to provide for every possible contingency to be met in connection with installation, operation or maintenance. Should further information be desired or should particular problems arise, which are not covered sufficiently for the purchaser's purposes, the matter should be referred to the local Siemens sales office. The contents of this instruction manual shall not become part of or modify any prior or existing agreement, commitment or relationship. The sales contract contains the entire obligation of Siemens. The warranty contained in the contract between the parties is the sole warranty of Siemens. Any statements contained herein do not create new warranties or modify the existing warranty.

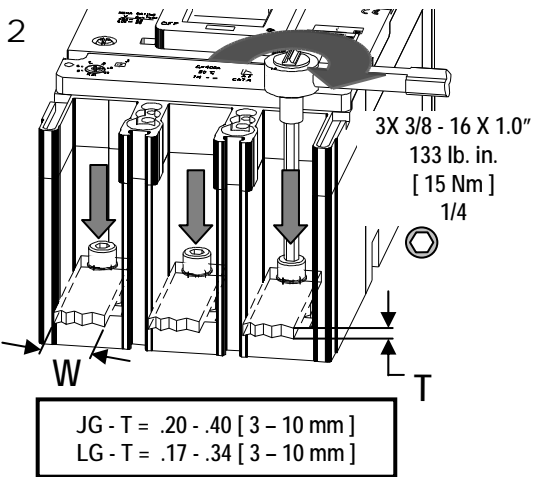
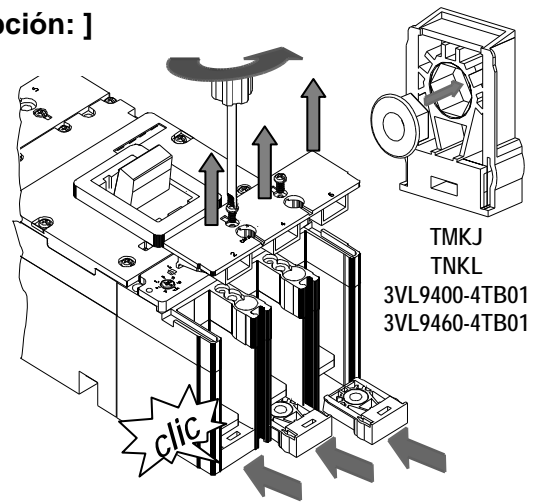
Trademarks - Unless otherwise noted, all names identified by ® are registered trademarks of Siemens AG or Siemens Industry, Inc. The remaining trademarks in this publication may be trademarks whose use by third parties for their own purposes could violate the rights of the owner.





Option:
[Opción:]

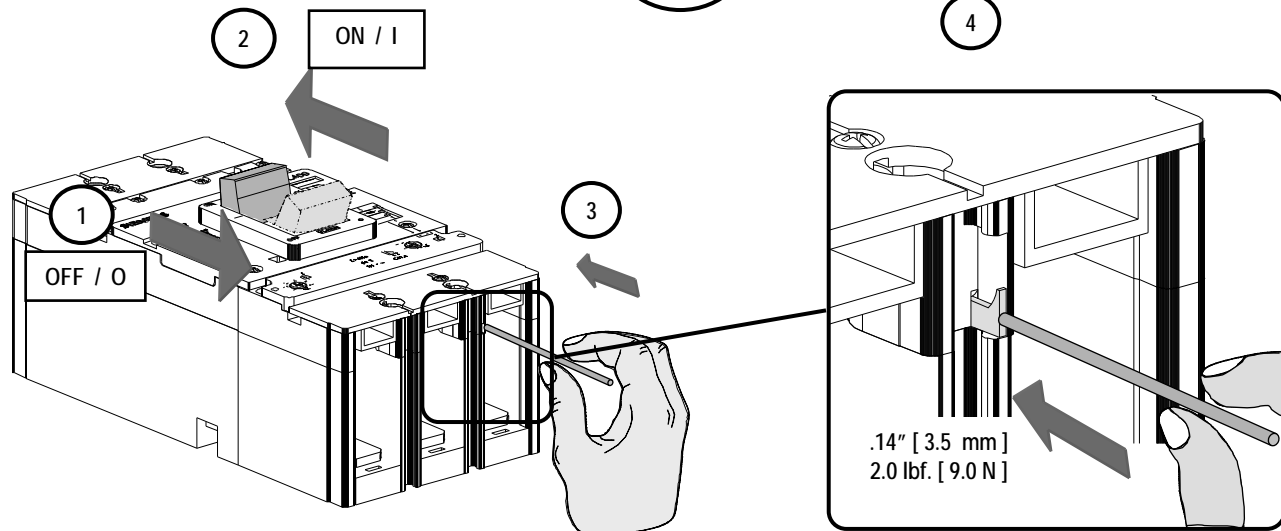
3 Pole / Polos = 6X



JG	T = .20 - .27 [5 - 7 mm]	→	
	T = .27 - .40 [7 - 10 mm]	→	
"W" = ≤ 1.26 [32 mm]			
LG	T = .17 - .23 [4 - 6 mm]	→	
	T = .23 - .34 [6 - 9 mm]	→	
"W" = ≤ 1.26 [32 mm]			

Trip Unit - 525- Test
[Disparador - 525 - Prueba]

3 Test:
[Prueba:]





Danger

Hazardous Voltage

Will cause death or serious injury

Turn off and lock out all power supplying this device before working on this device.

Replace all covers before power supplying this device is turned on.



Peligro

Tensión peligrosa.

Puede causar la muerte o lesiones graves.

Desenergice totalmente antes de instalar o darle servicio.

Reemplace todas las barreras y cubiertas antes de energizar el interruptor.

Danger!

Tension dangereuse.

Danger de mort ou risque de blessures graves.

Couper l'alimentation de l'appareil et barrer avant de travailler.

Remplacez tous les couverts avant que l'alimentation de pouvoir soit alimenté.

4

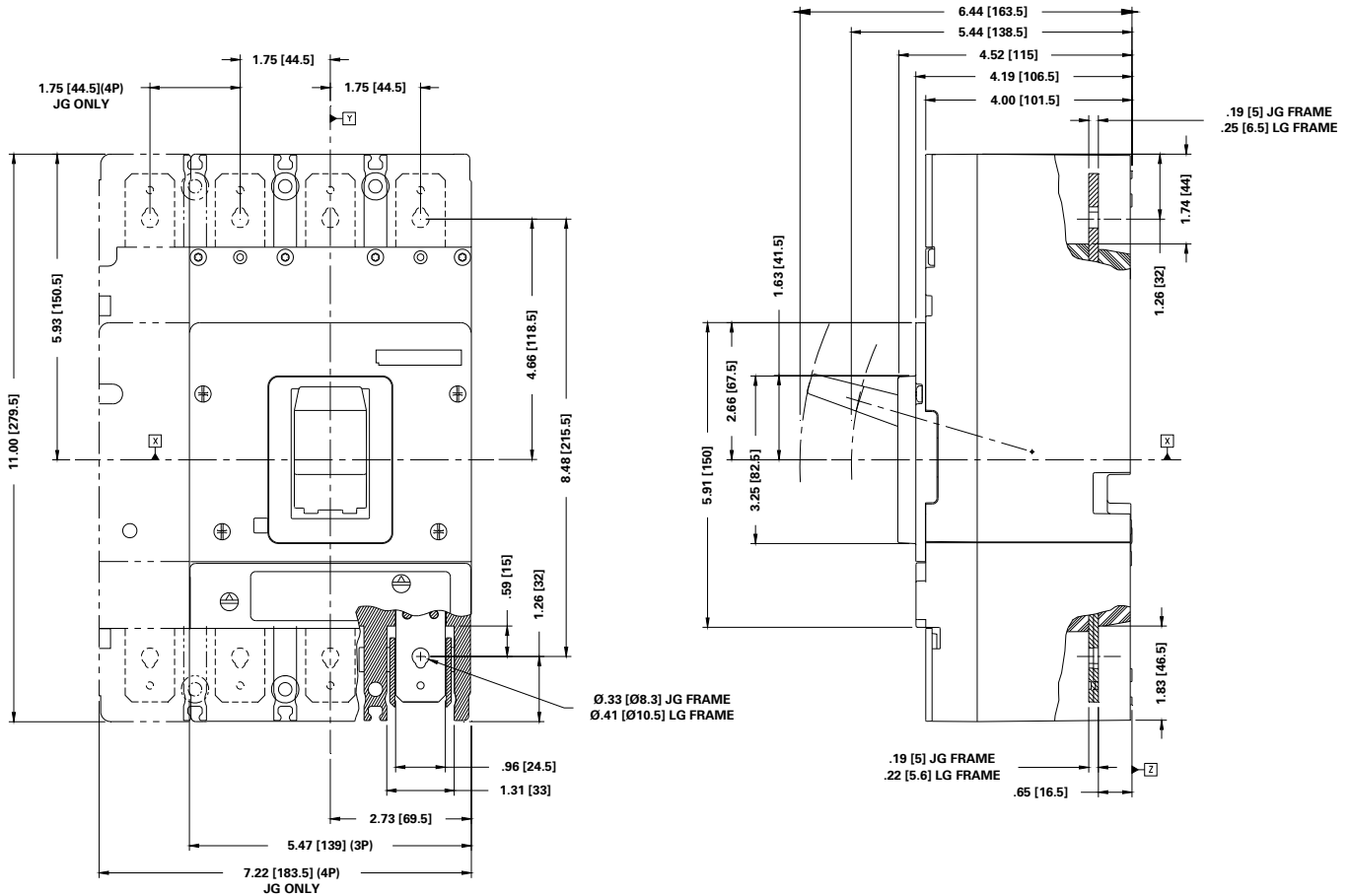
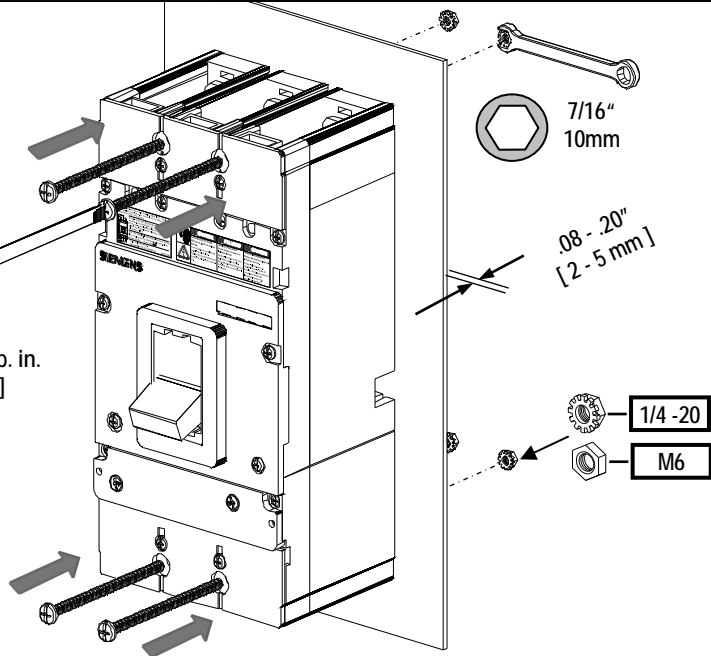


U.S. Cat. No.
1/4 - 20 X 4.0
MSKL4

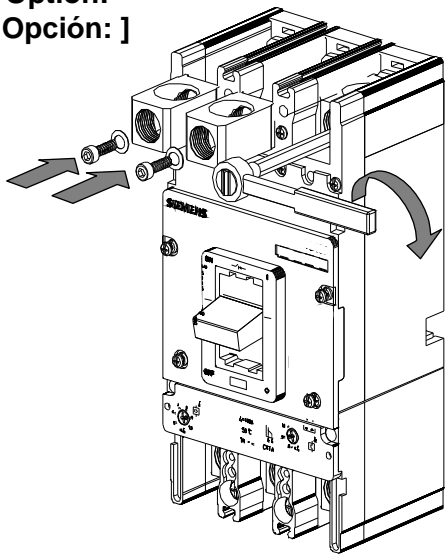


Euro Order No.
[M6 X 100mm]
3VL9500-8SA40

4X 35 lb. in.
[4 Nm]

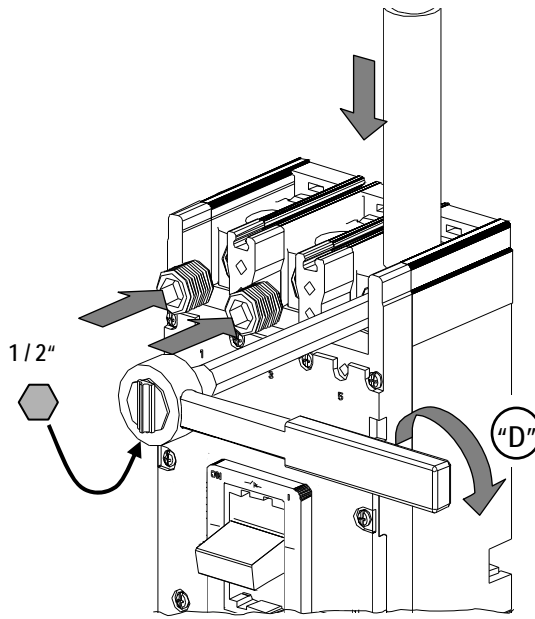


Option:
[Opción:]

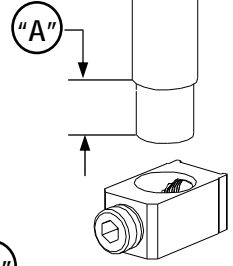


6 mm
6 X
133 lb. In.
[15 Nm]

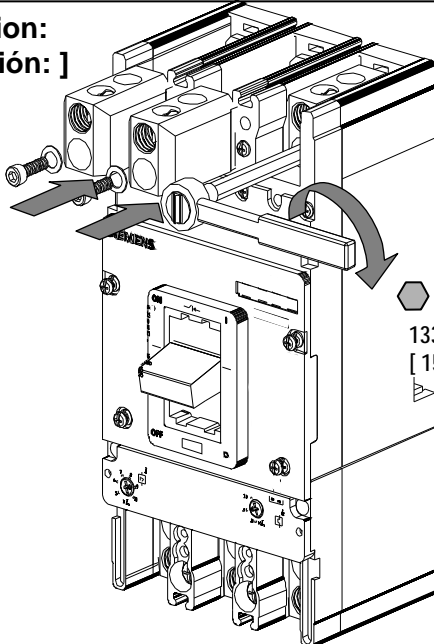
1/2"



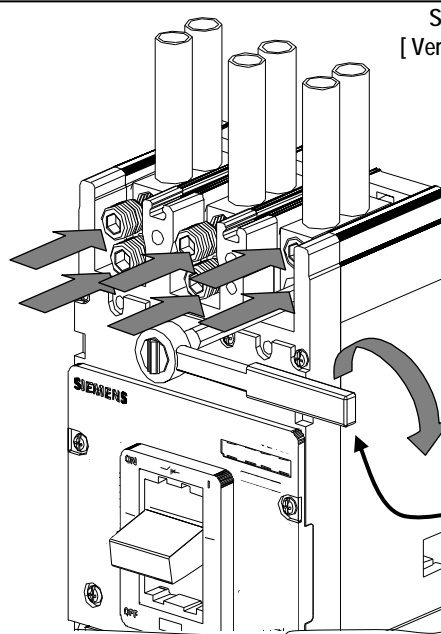
See page 5
[Ver la página 5]



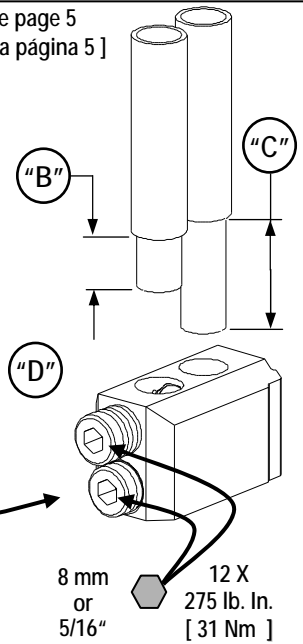
Option:
[Opción:]



6 X
6 mm
133 lb. In.
[15 Nm]

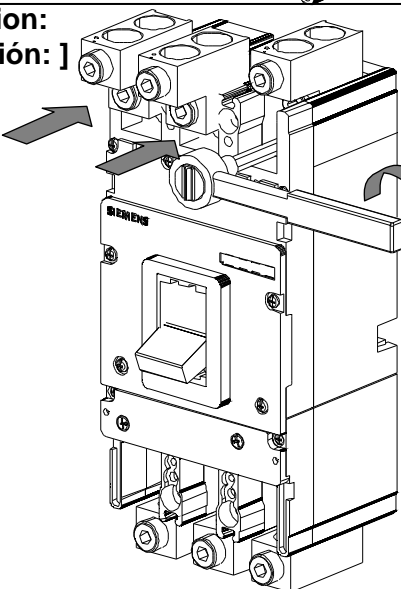


See page 5
[Ver la página 5]

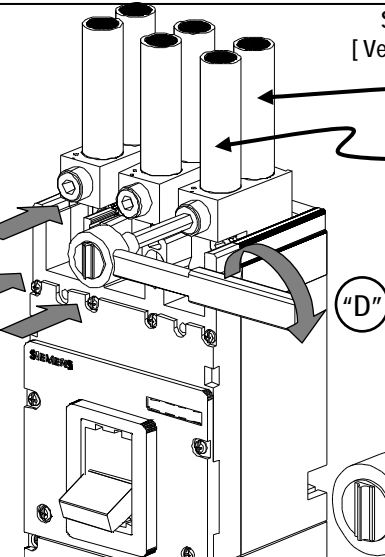


8 mm
or
5/16" 12 X
275 lb. In.
[31 Nm]

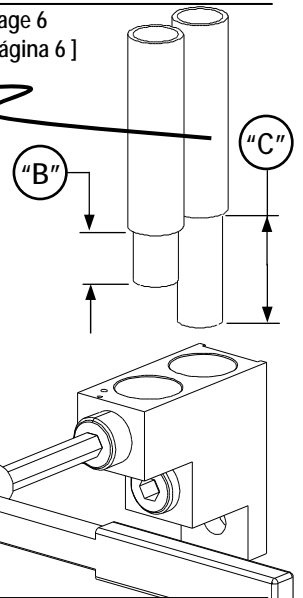
Option:
[Opción:]



8 mm or
5/16" 6 X
212 lb. In.
[24 Nm]



See page 6
[Ver la página 6]





Danger

Hazardous Voltage
Will cause death or serious injury

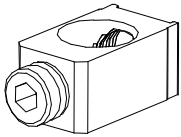
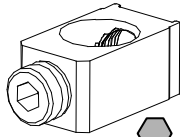
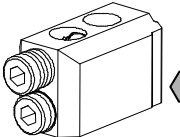
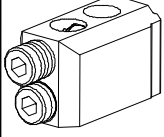
Turn off and lock out all power supplying this device before working on this device.
Replace all covers before power supplying this device is turned on.

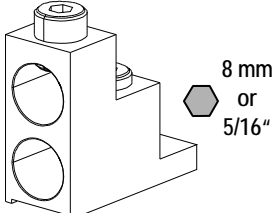
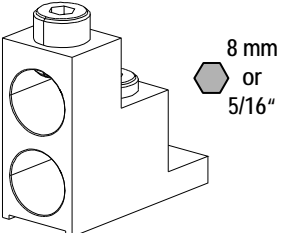
Peligro

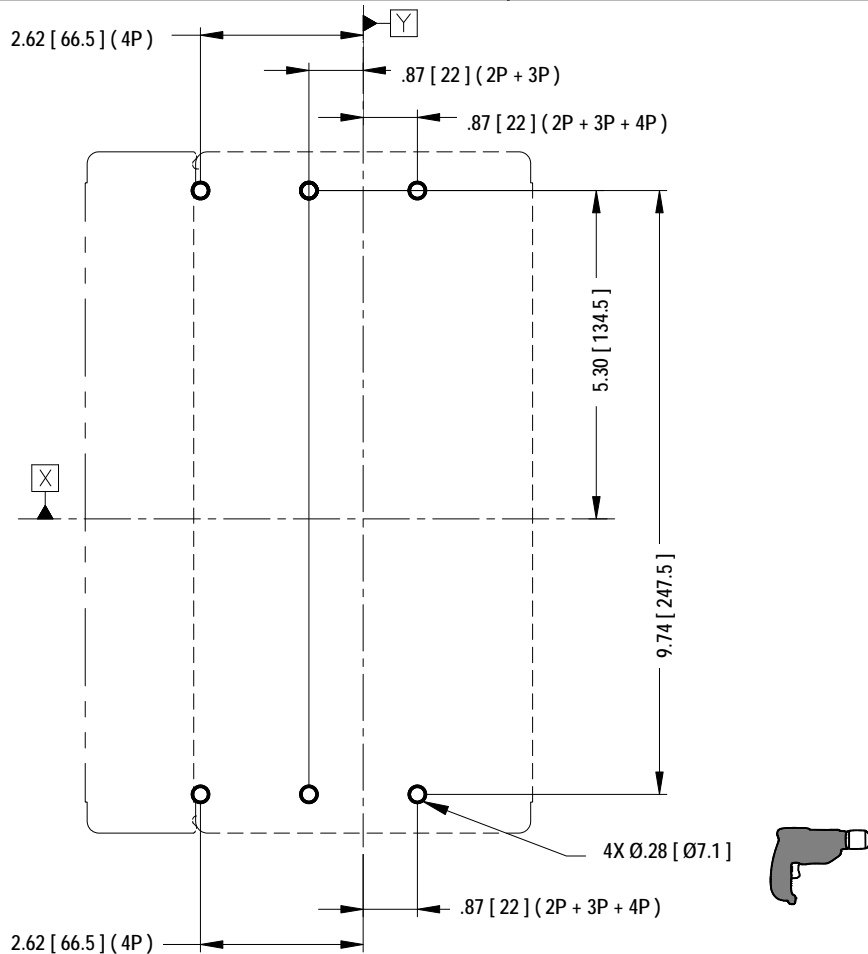
Tensión peligrosa.
Puede causar la muerte o lesiones graves.
Desenergice totalmente antes de instalar o darle servicio.
Reemplace todas las barreras y cubiertas antes de energizar el interruptor.

Danger!

Tension dangereuse.
Danger de mort ou risque de blessures graves.
Couper l'alimentation de l'appareil et barrer avant de travailler.
Remplacez tous les couverts avant que l'alimentation de pouvoir soit alimenté.

Wire Connector [Conexión del cable]	Wire Size [Rango Cable]	Req. UL 486A - 486B Wire Stranding [Hebras]		Torque [esfuerzo de torsión] "D"	Wire Strip Length [Quitar]
		CU / AL Class B	CU Class C		
 TA1JG750 / 3VL9475-4TD01 3TA1JG750 / 3VL9475-4TD31 4TA1JG750 / 3VL9475-4TD41	Cu 3/0 - 4/0 AWG [95 mm ²]	19 Strands [Filamentos]	37 Strands [Filamentos]	275 lb. in. [31 Nm]	"A" 1.06" [27 mm]
	Al 250 kcmil [120mm ²]	37 Strands [Filamentos]	-		
	Cu 250 kcmil [120 mm ²]	37 Strands [Filamentos]	61 Strands [Filamentos]	500 lb. in. [56 Nm]	
	Al 300 - 500 kcmil [185 mm ²]	37 Strands [Filamentos]	-		
	Cu 300 - 500 kcmil [185 mm ²]	37 Strands [Filamentos]	61 Strands [Filamentos]		
	Al 600 - 750 kcmil [240 - 300 mm ²]	61 Strands [Filamentos]	-		
Cu 600 kcmil [240 - 300 mm ²]	61 Strands [Filamentos]	91 Strands [Filamentos]			
 TC1JG750 / 3VL9475-4TD11	Cu Only 3/0 - 4/0 AWG [95 mm ²]	19 Strands [Filamentos]	37 Strands [Filamentos]	275 lb. in. [31 Nm]	
	Cu Only 250 kcmil [120 mm ²]	37 Strands [Filamentos]	61 Strands [Filamentos]	500 lb. in. [56 Nm]	
	Cu Only 300 - 500 kcmil [150 - 185 mm ²]	37 Strands [Filamentos]	61 Strands [Filamentos]		
	Cu Only 600 kcmil [240 - 300 mm ²]	61 Strands [Filamentos]	91 Strands [Filamentos]		
 TA2JG250 / 3VL9425-4TF01 3TA2JG250 / 3VL9425-4TF31 4TA2JG250 / 3VL9425-4TF41	Cu / Al 3/0 - 4/0 AWG [95 mm ²]	19 Strands [Filamentos]	37 Strands [Filamentos]	275 lb. in. [31 Nm]	"B" .71" [18 mm]
	Cu / Al 250 kcmil [120 mm ²]	37 Strands [Filamentos]	61 Strands [Filamentos]		
 TC2JG250 / 3VL9425-4TF11	Cu Only 3/0 - 4/0 AWG [95 mm ²]	19 Strands [Filamentos]	37 Strands [Filamentos]	275 lb. in. [31 Nm]	"C" 1.46" [37 mm]
	Cu Only 250 kcmil [120 mm ²]	37 Strands [Filamentos]	61 Strands [Filamentos]		

Wire Connector [Conexión del cable]	Wire Size [Rango Cable]	Req. UL 486A - 486B Wire Stranding [Hebras]		Torque [esfuerzo de torsión] "D"	Wire Strip Length [Quitar]
		CU / AL Class B	CU Class C		
 <p>2TA2LG600LD / 3VL9460-4TY21 3TA2LG600LD / 3VL9460-4TY31 2TA2LG600LN / 3VL9460-4TX21 3TA2LG600LN / 3VL9460-4TX31</p>	Cu / Al 2 AWG [35 mm ²]	7 Strands [Filamentos]	19 Strands [Filamentos]	375 lb. in. [42.4Nm]	"B" 1.0" [25.4 mm]
	Cu / Al 1 - 4/0 AWG [50 - 95 mm ²]	19 Strands [Filamentos]	37 Strands [Filamentos]		
	Cu / Al 250 - 500 kcmil [120 - 185 mm ²]	37 Strands [Filamentos]	61 Strands [Filamentos]		
	Cu / Al 600 kcmil [240 - 300 mm ²]	61 Strands [Filamentos]	91 Strands [Filamentos]		
 <p>3TC2LG600LD / 3VL9460-4TY61 3TC2LG600LN / 3VL9460-4TX61</p>	Cu Only 2 AWG [35 mm ²]	7 Strands [Filamentos]	19 Strands [Filamentos]		"C" 1.97" [50 mm]
	Cu Only 1 - 4/0 AWG [50 - 95 mm ²]	19 Strands [Filamentos]	37 Strands [Filamentos]		
	Cu Only 250 - 500 kcmil [120 - 185 mm ²]	37 Strands [Filamentos]	61 Strands [Filamentos]		
	Cu Only 600 kcmil [240 - 300 mm ²]	61 Strands [Filamentos]	91 Strands [Filamentos]		





Danger

Hazardous Voltage

Will cause death or serious injury

Turn off and lock out all power supplying this device before working on this device.

Replace all covers before power supplying this device is turned on.



Peligro

Tensión peligrosa.

Puede causar la muerte o lesiones graves.

Desenergice totalmente antes de instalar o darle servicio.

Reemplace todas las barreras y cubiertas antes de energizar el interruptor.



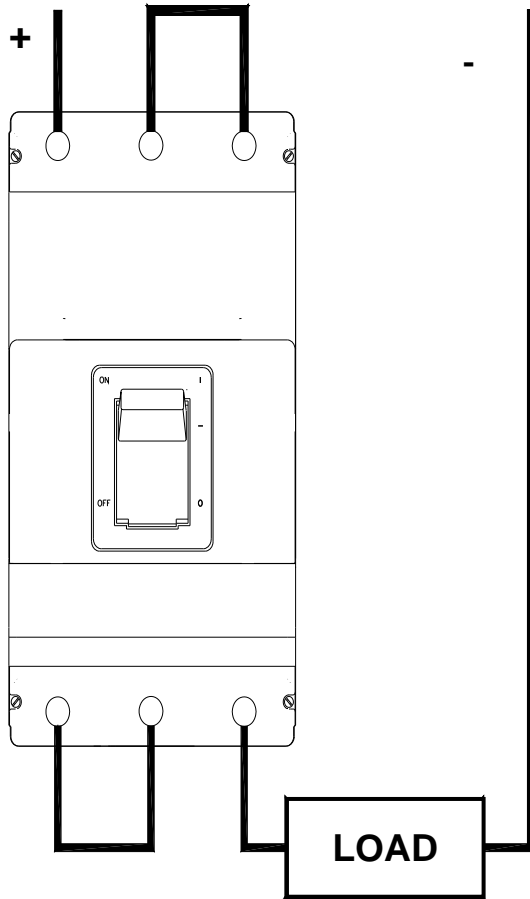
Danger!

Tension dangereuse.

Danger de mort ou risque de blessures graves.

Couper l'alimentation de l'appareil et barrer avant de travailler.

Remplacez tous les couverts avant que l'alimentation de pouvoir soit alimenté.



**600 VDC
Maximum
[Máximo]**

**Wire only as it is shown
[Alambre solamente como es mostrado]**

For Support in Europe refer to :

Bestell-Nr. / Order No.: 3ZX1012-0VL68-5DA1

Internet: www.siemens.de/lowvoltage/technical-assistance

GWA 4NEB 1796962-10 DS 03

Technical Support:

Toll Free: 1-800-241-4453

Internet: www.usa.siemens.com/powerdistribution

Subject to change without prior notice
Siemens Industry, Inc. , Norcross, GA 30092 U.S.A.

© Siemens Industry Inc. 2010