


## Walking Beam Interlock with SEO / Remote Operator

Accionamiento motor con acumulador de energía

Commande motorisée à accumulation d'énergie (avec déclencheur électrique et mécanique)

For Use With Frame DG, FG, JG, LG, MG, NG, PG  
 Para Usar Con Caja Base DG, FG, JG, LG, MG, NG, PG

### Installation Instructions / Instructivo de Instalación

	 <b>Danger</b>	 <b>Peligro</b>	 <b>Danger</b>
	<b>Hazardous Voltage.</b> Will cause death or serious injury.	<b>Tensión peligrosa.</b> Puede causar la muerte o lesiones graves.	<b>Tension dangereuse.</b> Danger de mort ou risque de blessures graves.
	Turn off and lock out all power supplying this device before working on this device. Replace all covers before power supplying this device is turned on.	Desenergice totalmente antes de instalar o darle servicio. Reemplace todas las barreras y cubiertas antes de energizar el interruptor.	Couper l'alimentation de l'appareil et barrer avant de travailler. Remplacez tous les couverts avant que l'alimentation de pouvoir soit alimenté.

Use only with Siemens certified Components.

Utilizar únicamente con componentes certificados de Siemens.

A utiliser uniquement avec les composants certifiés Siemens.

NOTE - These instructions do not purport to cover all details or variations in equipment, or to provide for every possible contingency to be met in connection with installation, operation or maintenance. Should further information be desired or should particular problems arise, which are not covered sufficiently for the purchaser's purposes, the matter should be referred to the local Siemens sales office. The contents of this instruction manual shall not become part of or modify any prior or existing agreement, commitment or relationship. The sales contract contains the entire obligation of Siemens. The warranty contained in the contract between the parties is the sole warranty of Siemens. Any statements contained herein do not create new warranties or modify the existing warranty.

Trademarks - Unless otherwise noted, all names identified by ® are registered trademarks of Siemens AG or Siemens Industry, Inc. The remaining trademarks in this publication may be trademarks whose use by third parties for their own purposes could violate the rights of the owner.

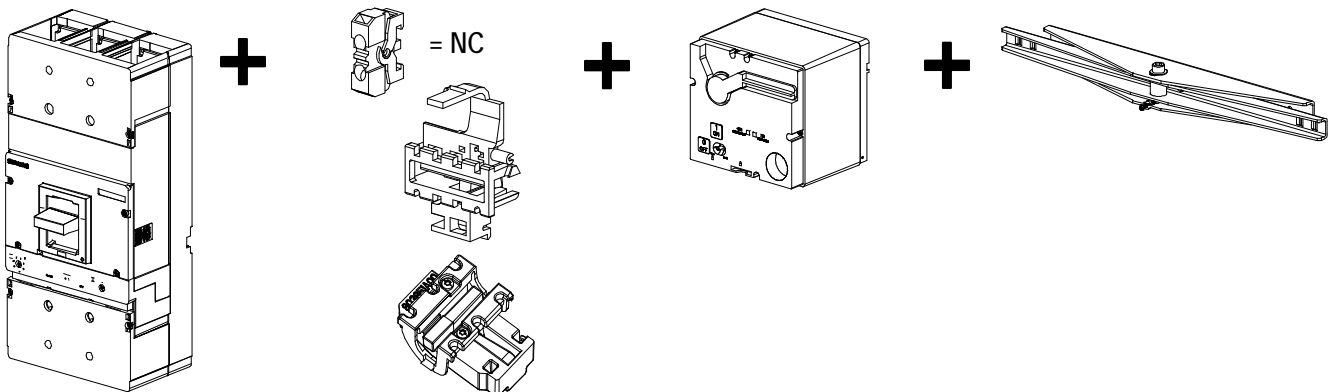
SEA_B	3VL9_00-3MJ01
SEA_M	3VL9_00-3ML01
SEA_Y	3VL9_00-3MS01
SEA_N	3VL9_00-3MN01
SEA_R	3VL9_00-3MQ01

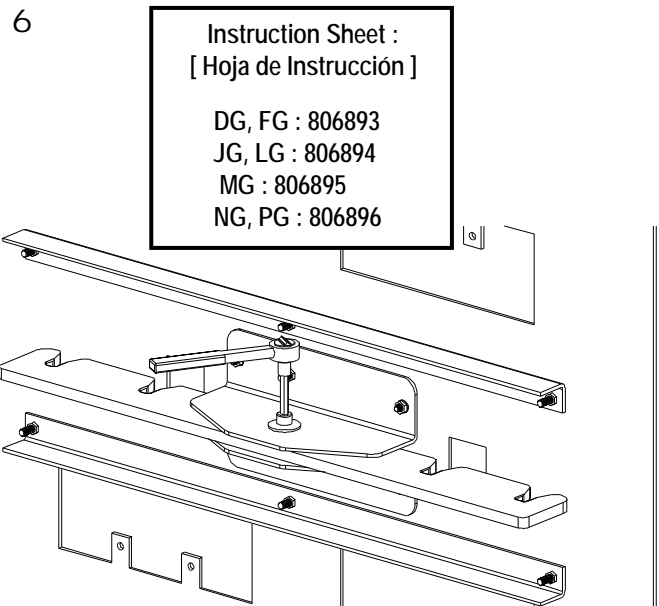
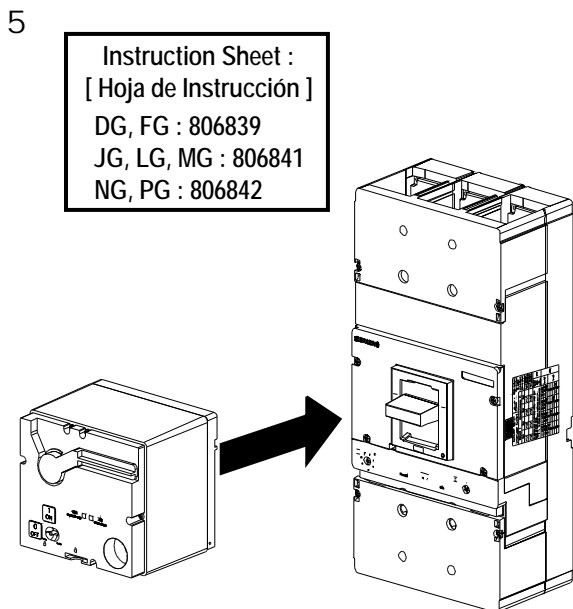
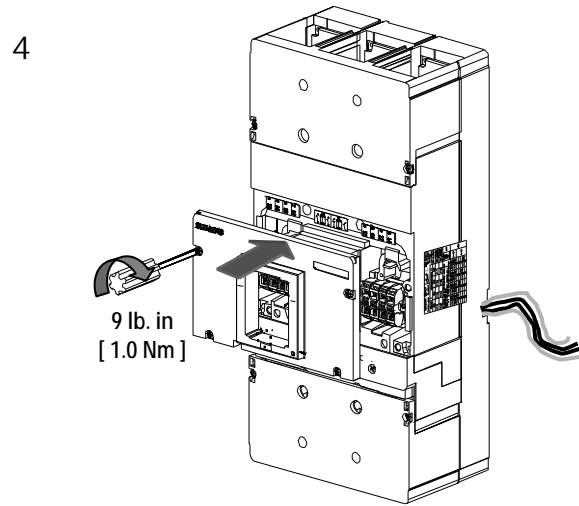
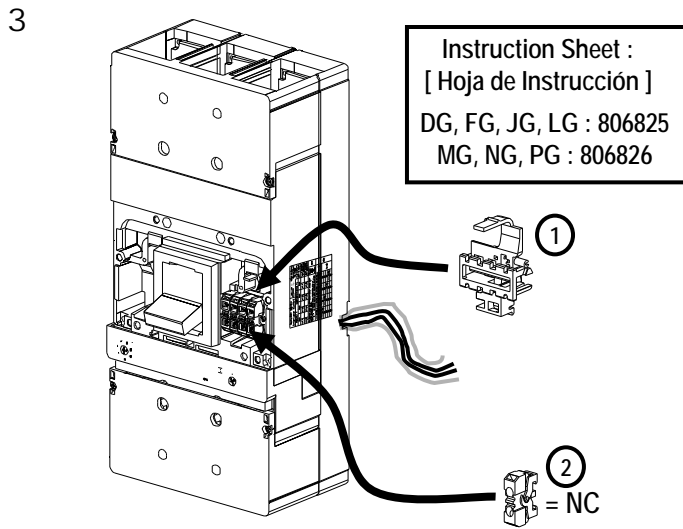
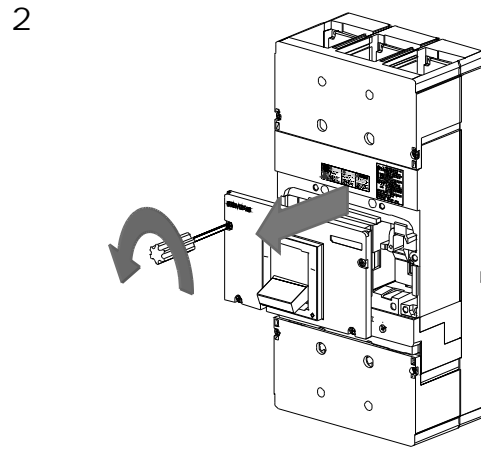
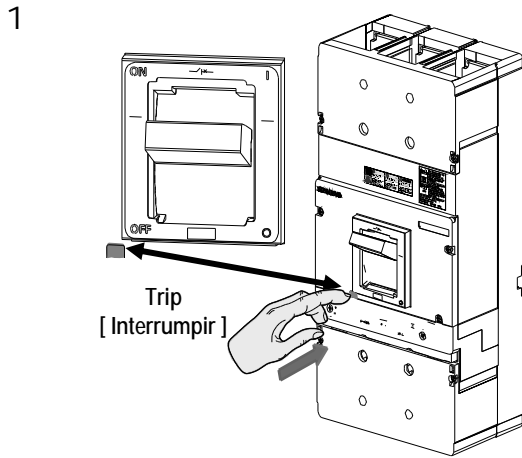
MTRPB	3VL9800-3MJ01
MTRPM	3VL9800-3ML01
MTRPY	3VL9800-3MS01
MTRPN	3VL9800-3MN01
MTRPR	3VL9800-3MQ01

DG, FG, JG, LG,  
MG, NG & PG

ASKL2 / 3VL9\_002AB01  
ASKP4 / 3VL9\_002AC01

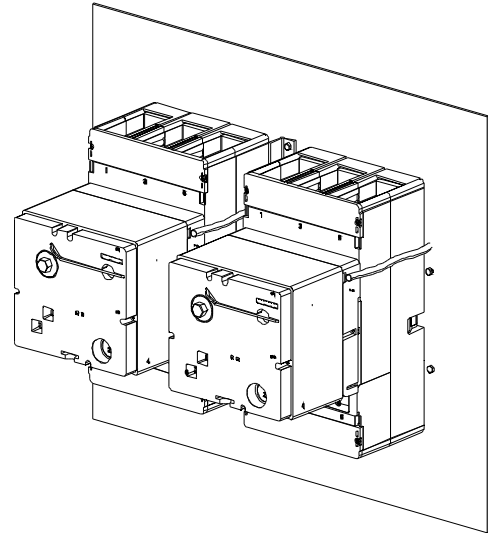
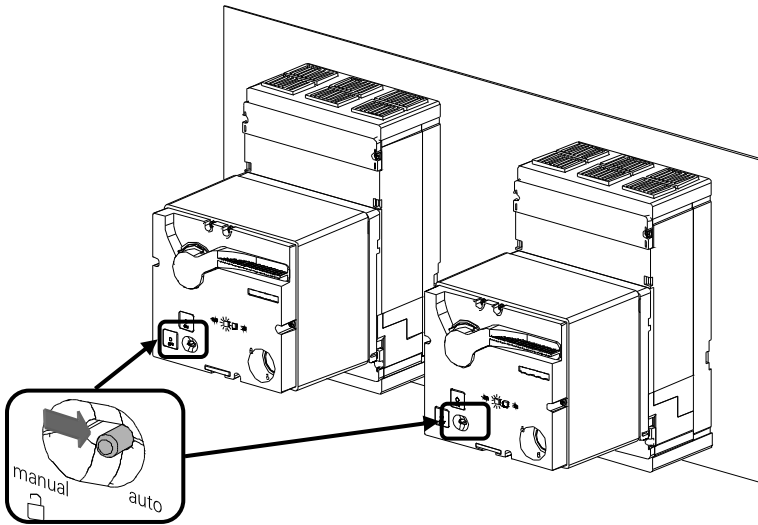
WBM\_FM / 3VL9\_008LC01





DG, FG, JG, LG, MG

NG, PG

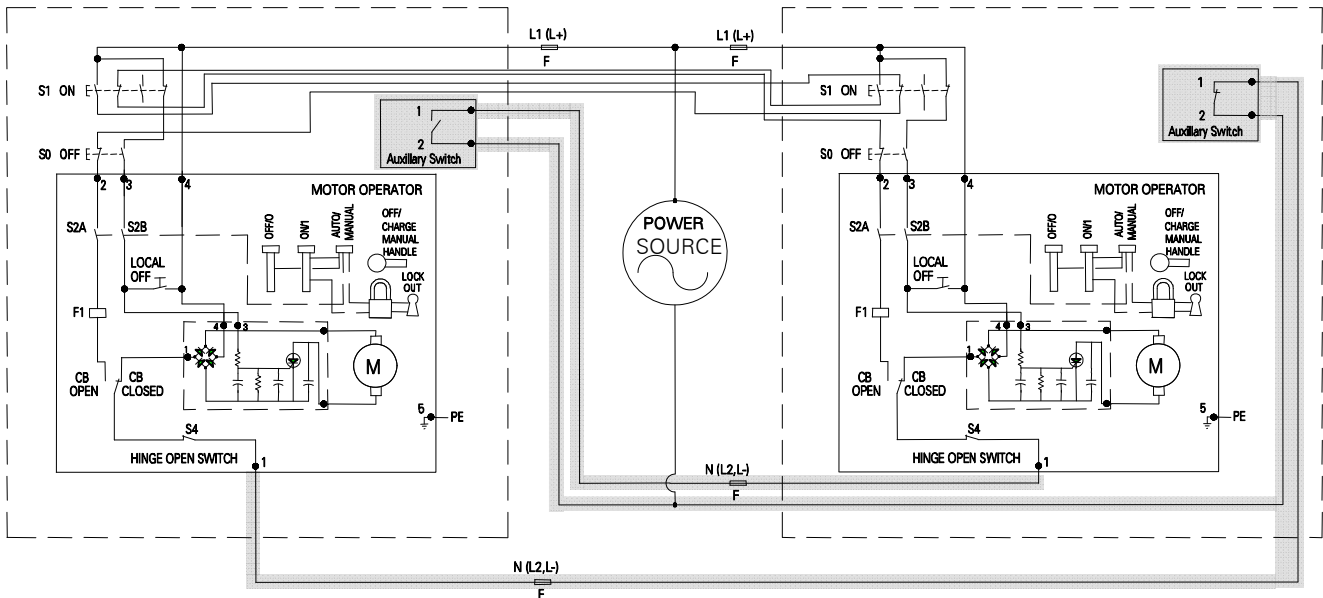


ON / I

Circuit Breaker No. 1- Motor Operator

OFF / 0

Circuit Breaker No. 2- Motor Operator



Bestell-Nr. / Order No.: 3ZX1012-0VL68-7AA1

For Support in Europe refer to :

Internet: [www.siemens.de/lowvoltage/technical-assistance](http://www.siemens.de/lowvoltage/technical-assistance)

GWA 4NEB 179 6892-10 DS 02

Technical Support:

Toll Free: 1-800-241-4453

Internet: [www.usa.siemens.com/powerdistribution](http://www.usa.siemens.com/powerdistribution)

Subject to change without prior notice  
Siemens Industry, Inc., Norcross, GA 30092 U.S.A.

© Siemens Industry Inc. 2010

806892A01