

Neutral Current Transformer






Transformador de intensidad para el conductor

Transformateur de courant du neutre pour déclencheur électronique

	U.S. Cat. No.	Euro Order No.	U.S. Cat. No.	Euro Order No.
Item:	NGSD060	3VL9206-8TT01	NGSL400	3VL9440-8TT01
	NGSF100	3VL9310-8TT01	NGSM600	3VL9660-8TT01
	NGSF150	3VL9315-8TT01	NGSN800	3VL9780-8TT01
	NGSJ250	3VL9425-8TT01	NGSP120	3VL9812-8TT01
			NGSP160	3VL9816-8TT01

For Use With Frame DG - PG
Para Usar Con Caja Base DG - PG

Installation Instructions / Instructivo de Instalación

	 Danger	 Peligro	 Danger
	Hazardous Voltage. Will cause death or serious injury.	Tensión peligrosa. Puede causar la muerte o lesiones graves.	Tension dangereuse. Danger de mort ou risque de blessures graves.
	Turn off and lock out all power supplying this device before working on this device. Replace all covers before power supplying this device is turned on.	Desenergice totalmente antes de instalar o darle servicio. Reemplace todas las barreras y cubiertas antes de energizar el interruptor.	Couper l'alimentation de l'appareil et barrer avant de travailler. Remplacez tous les couverts avant que l'alimentation de pouvoir soit alimenté.

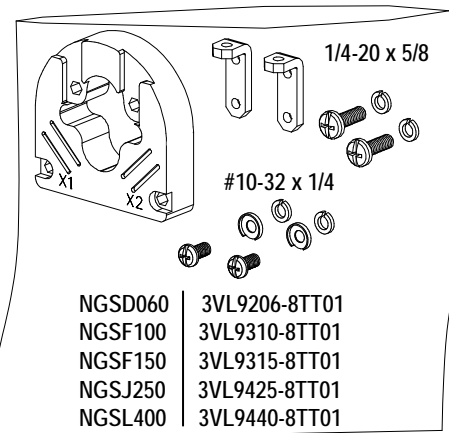
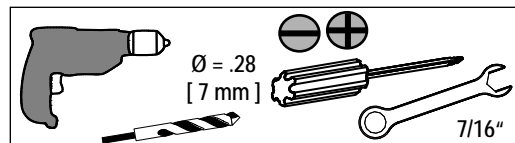
Use only with Siemens certified Components.

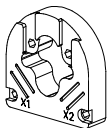
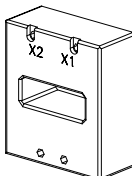
Utilizar únicamente con componentes certificados de Siemens.

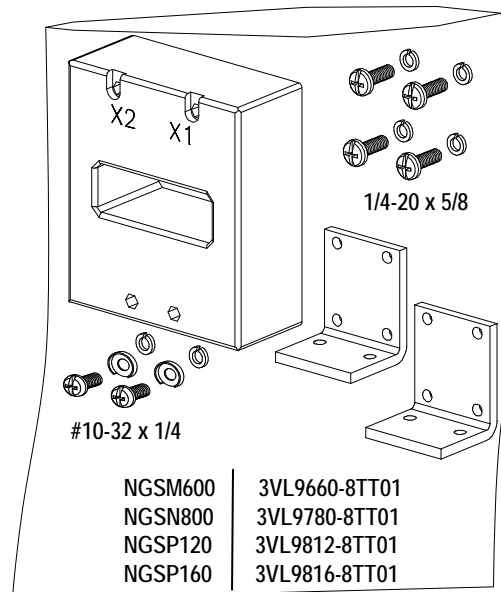
A utiliser uniquement avec les composants certifiés Siemens.

NOTE - These instructions do not purport to cover all details or variations in equipment, or to provide for every possible contingency to be met in connection with installation, operation or maintenance. Should further information be desired or should particular problems arise, which are not covered sufficiently for the purchaser's purposes, the matter should be referred to the local Siemens sales office. The contents of this Instruction manual shall not become part of or modify any prior or existing agreement, commitment or relationship. The sales contract contains the entire obligation of Siemens. The warranty contained in the contract between the parties is the sole warranty of Siemens. Any statements contained herein do not create new warranties or modify the existing warranty.

Trademarks - Unless otherwise noted, all names identified by ® are registered trademarks of Siemens AG or Siemens Industry, Inc. The remaining trademarks in this publication may be trademarks whose use by third parties for their own purposes could violate the rights of the owner.



Neutral Sensor [Sensor Neutral]	Frame [Caja Base]	Trip Unit Rating [Rango de unidad de disparo]	Neutral Catalog No. [Numero de catalogo del neutral]	MLFB No. [Numero de MLFB]
	DG	60A	NGSD060	3VL9206-8TT01
		100A	NGSF100	3VL9310-8TT01
		150A	NGSF150	3VL9315-8TT01
	FG	100A	NGSF100	3VL9310-8TT01
150A		NGSF150	3VL9315-8TT01	
250		NGSJ250	3VL9425-8TT01	
JG	250A	NGSJ250	3VL9425-8TT01	
	400A	NGSL400	3VL9440-8TT01	
LG	400A	NGSL400	3VL9440-8TT01	
	600A	NGSM600	3VL9660-8TT01	
	MG	600A	NGSM600	3VL9660-8TT01
		800A	NGSN800	3VL9780-8TT01
	NG	800A	NGSN800	3VL9780-8TT01
		1000A	NGSP120	3VL9812-8TT01
PG	1200A	NGSP120	3VL9812-8TT01	
	1600A	NGSP160	3VL9816-8TT01	

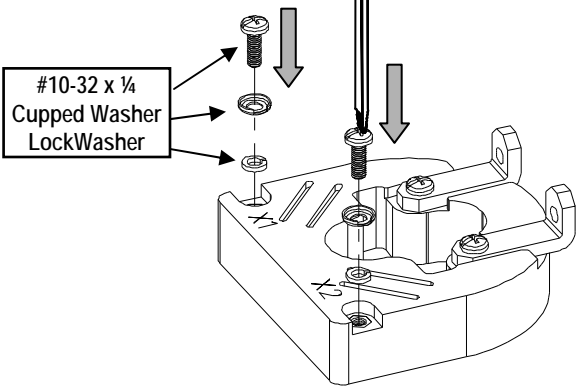


Option 1
[Opción]

NGSD060	3VL9206-8TT01
NGSF100	3VL9310-8TT01
NGSF150	3VL9315-8TT01
NGSJ250	3VL9425-8TT01
NGSL400	3VL9440-8TT01

1

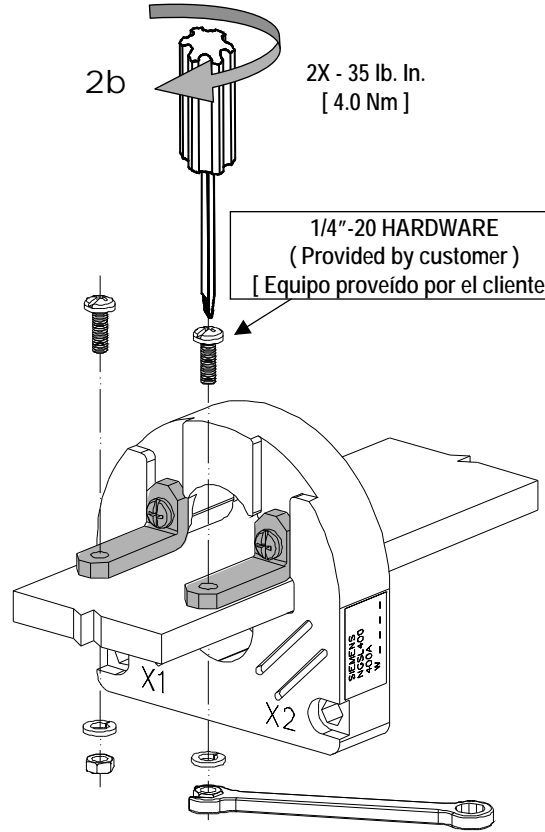
2 X -20 lb. In.
[2.2 Nm]



2b

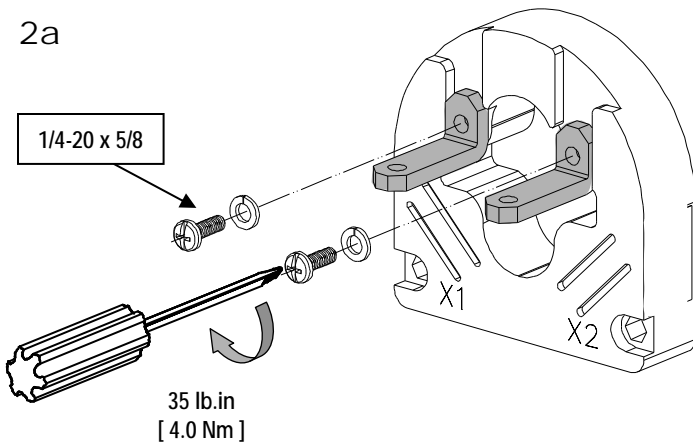
2X - 35 lb. In.
[4.0 Nm]

1/4"-20 HARDWARE
(Provided by customer)
[Equipo proveído por el cliente]



2a

1/4-20 x 5/8

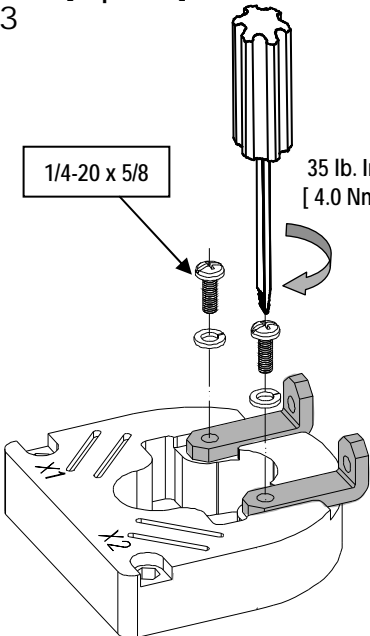


Option 2
[Opción]

3

1/4-20 x 5/8

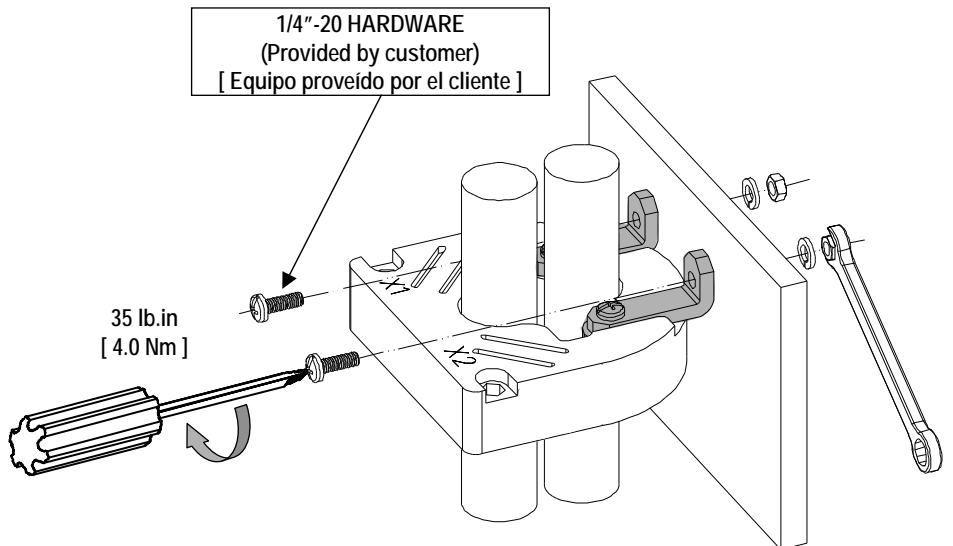
35 lb. In.
[4.0 Nm]



3a

1/4"-20 HARDWARE
(Provided by customer)
[Equipo proveído por el cliente]

35 lb.in
[4.0 Nm]





Danger

Hazardous Voltage.
Will cause death or serious injury.
 Turn off and lock out all power supplying this device before working on this device.
 Replace all covers before power supplying this device is turned on.

Peligro

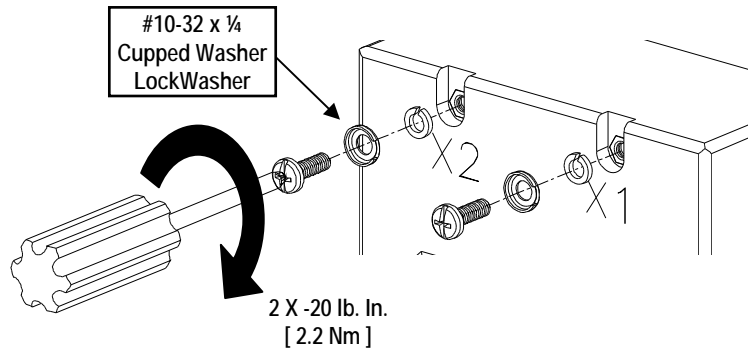
Tensión peligrosa.
Puede causar la muerte o lesiones graves.
 Desenergice totalmente antes de instalar o darle servicio.
 Reemplace todas las barreras y cubiertas antes de energizar el interruptor.

Danger

Tension dangereuse.
Danger de mort ou risque de blessures graves.
 Couper l'alimentation de l'appareil et barrer avant de travailler.
 Remplacez tous les couverts avant que l'alprovisionnement de pouvoir soit alimenté.

1

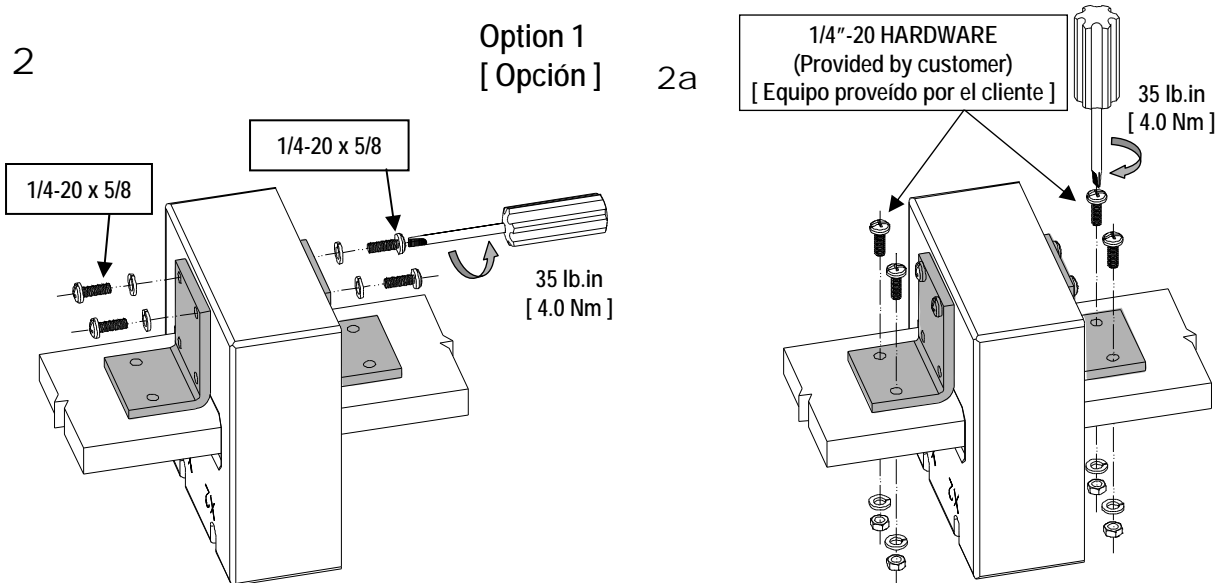
NGSM600	3VL9660-8TT01
NGSN800	3VL9780-8TT01
NGSP120	3VL9812-8TT01
NGSP160	3VL9816-8TT01



2

Option 1
[Opción]

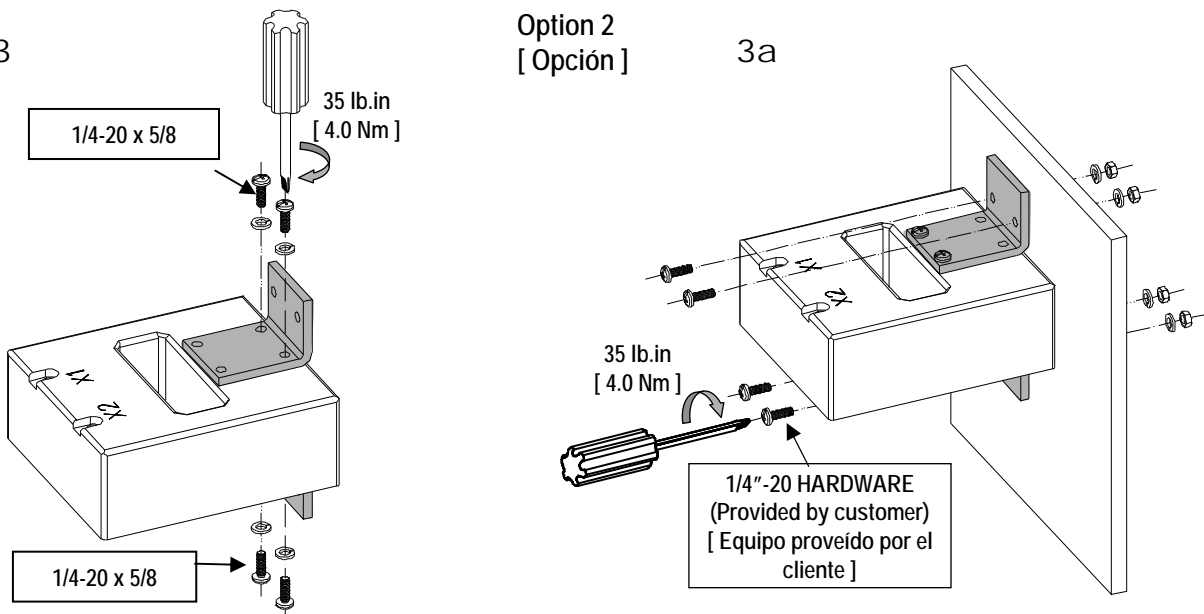
2a

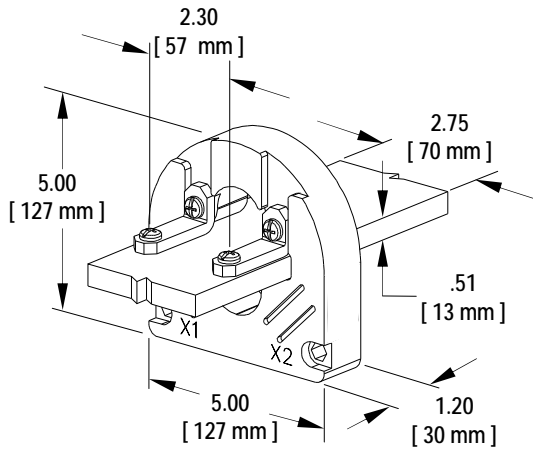


3

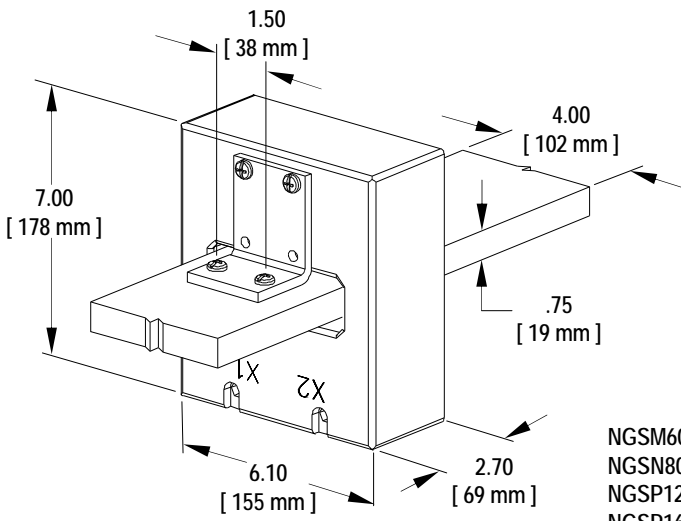
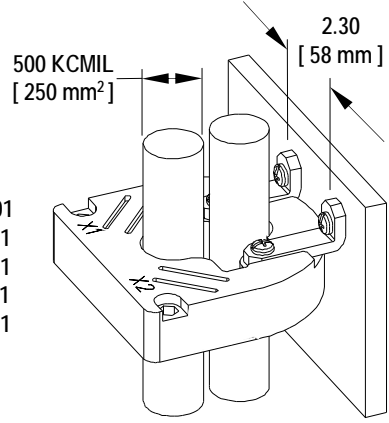
Option 2
[Opción]

3a

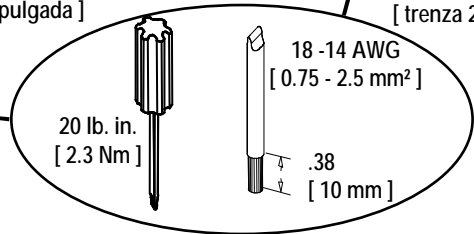
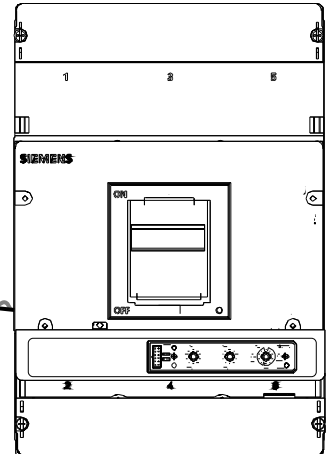
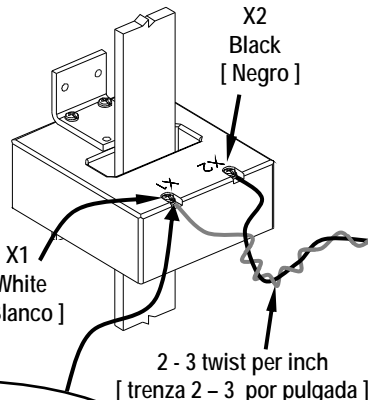
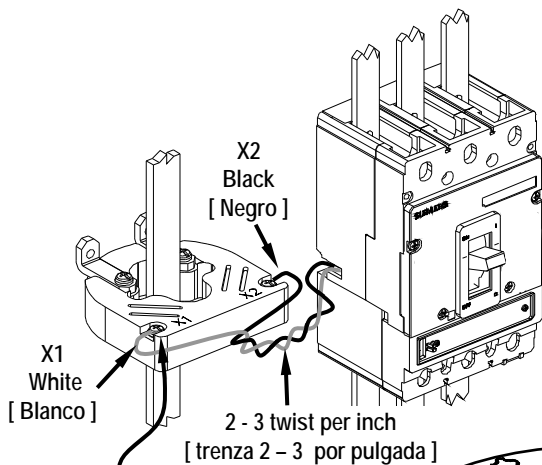
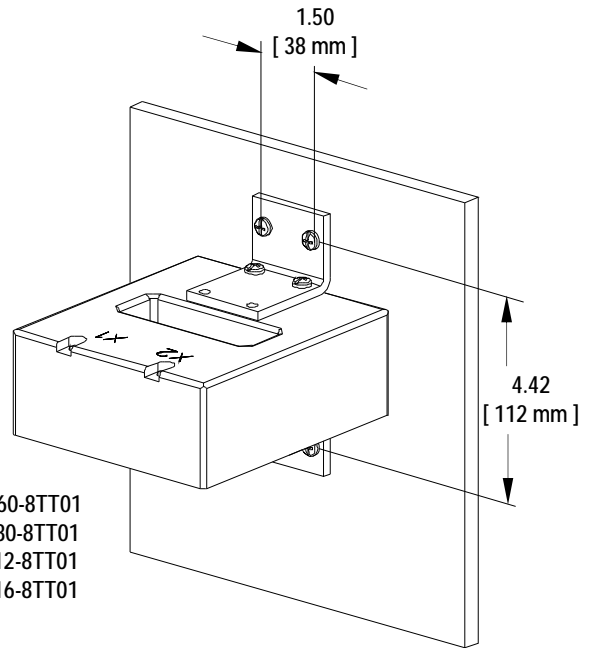




NGSD060	3VL9206-8TT01
NGSF100	3VL9310-8TT01
NGSF150	3VL9315-8TT01
NGSJ250	3VL9425-8TT01
NGSL400	3VL9440-8TT01



NGSM600	3VL9660-8TT01
NGSN800	3VL9780-8TT01
NGSP120	3VL9812-8TT01
NGSP160	3VL9816-8TT01





Danger

Hazardous Voltage.
Will cause death or serious injury.



Turn off and lock out all power supplying this device before working on this device.
Replace all covers before power supplying this device is turned on.

Peligro

Tensión peligrosa.
Puede causar la muerte o lesiones graves.

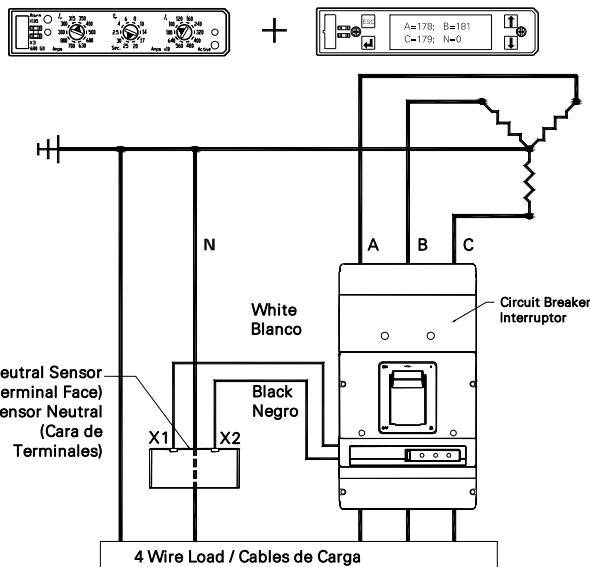
Desenergice totalmente antes de instalar o darle servicio.
Reemplace todas las barreras y cubiertas antes de energizar el interruptor.

Danger

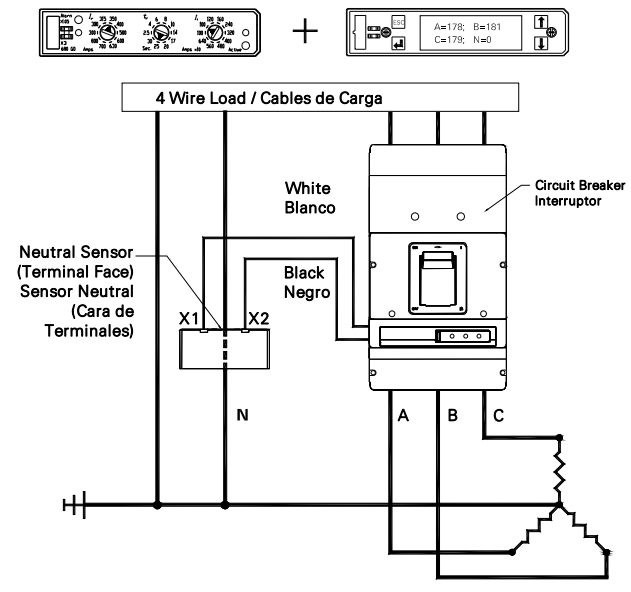
Tension dangereuse.
Danger de mort ou risque de blessures graves.

Couper l'alimentation de l'appareil et barrer avant de travailler.
Remplacez tous les couverts avant que l'approvisionnement de pouvoir soit alimenté.

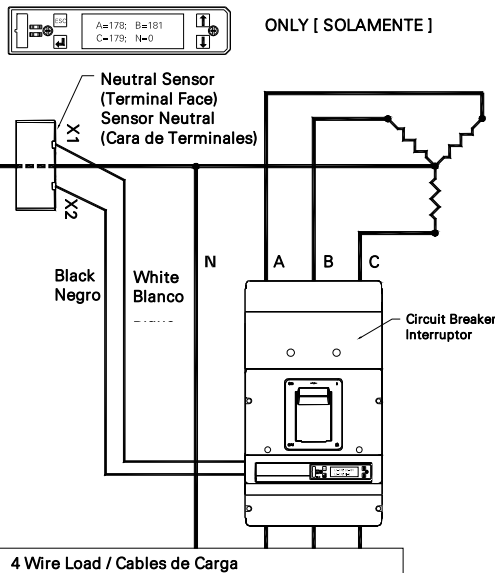
4 Wire Ground Fault Residual Mode
[Método de falla a tierra- RESIDUAL]



4 Wire Ground Fault Residual Mode / Reverse Connected
[Método de falla a tierra- RESIDUAL / Conexión al Revés]



Ground Fault - Ground Return Mode
[Método de falla a tierra - Retorno a Tierra]



Bestell-Nr. / Order No.: 3ZX1012-0VL68-1AA1

For Support in Europe refer to :

Internet: www.siemens.de/lowvoltage/technical-assistance

GWA 4NEB 179 6820-10 DS 03

Technical Support:

Toll Free: 1-800-241-4453

Internet: www.usa.siemens.com/powerdistribution

Subject to change without prior notice
Siemens Industry, Inc., Norcross, GA 30092 U.S.A.

© Siemens Industry Inc. 2010