

Max Flex® - Aux Switch
 Max Flex® - Interruptor Auxiliar
 Max Flex® - Intervertir L'associé

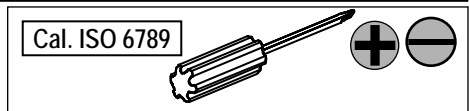
U.S. Cat. No.	Euro Order No.
Item: MFSFA1	3VL93002AP11
MFSFA2	3VL93002AP21
MFSLA1	3VL94002AP11
MFSLA2	3VL94002AP21
MFSPA1	3VL98002AP11
MFSPA2	3VL98002AP21

For Use With Max Flex®
 Para Usar Con Max Flex®

Installation Instructions / Instructivo de Instalación

	 Danger	 Peligro	 Danger
	Hazardous Voltage. Will cause death or serious injury. Turn off and lock out all power supplying this device before working on this device. Replace all covers before power supplying this device is turned on.	Tensión peligrosa. Puede causar la muerte o lesiones graves. Desenergice totalmente antes de instalar o darle servicio. Reemplace todas las barreras y cubiertas antes de energizar el interruptor.	Tension dangereuse. Danger de mort ou risque de blessures graves. Couper l'alimentation de l'appareil et barrer avant de travailler. Remplacez tous les couverts avant que l'alprovisionnement de pouvoir soit alimenté.

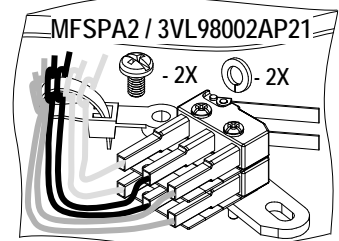
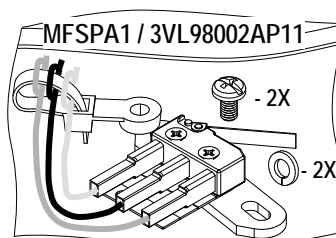
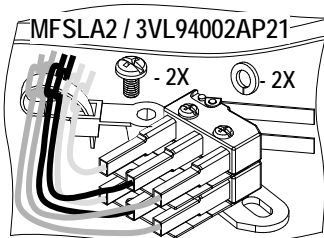
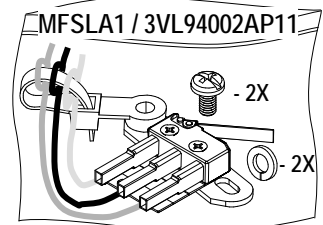
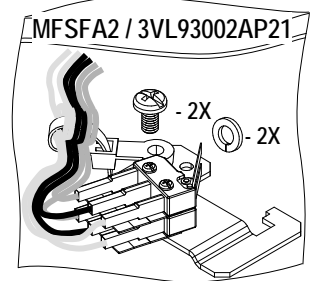
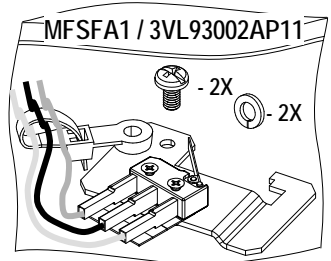
Use only with Siemens certified Components.
 Utilizar únicamente con componentes certificados de Siemens.
 A utiliser uniquement avec les composants certifiés Siemens.



NOTE - These instructions do not purport to cover all details or variations in equipment, or to provide for every possible contingency to be met in connection with installation, operation or maintenance. Should further information be desired or should particular problems arise, which are not covered sufficiently for the purchaser's purposes, the matter should be referred to the local Siemens sales office. The contents of this instruction manual shall not become part of or modify any prior or existing agreement, commitment or relationship. The sales contract contains the entire obligation of Siemens. The warranty contained in the contract between the parties is the sole warranty of Siemens. Any statements contained herein do not create new warranties or modify the existing warranty.

Trademarks - Unless otherwise noted, all names identified by ® are registered trademarks of Siemens AG or Siemens Industry, Inc. The remaining trademarks in this publication may be trademarks whose use by third parties for their own purposes could violate the rights of the owner.

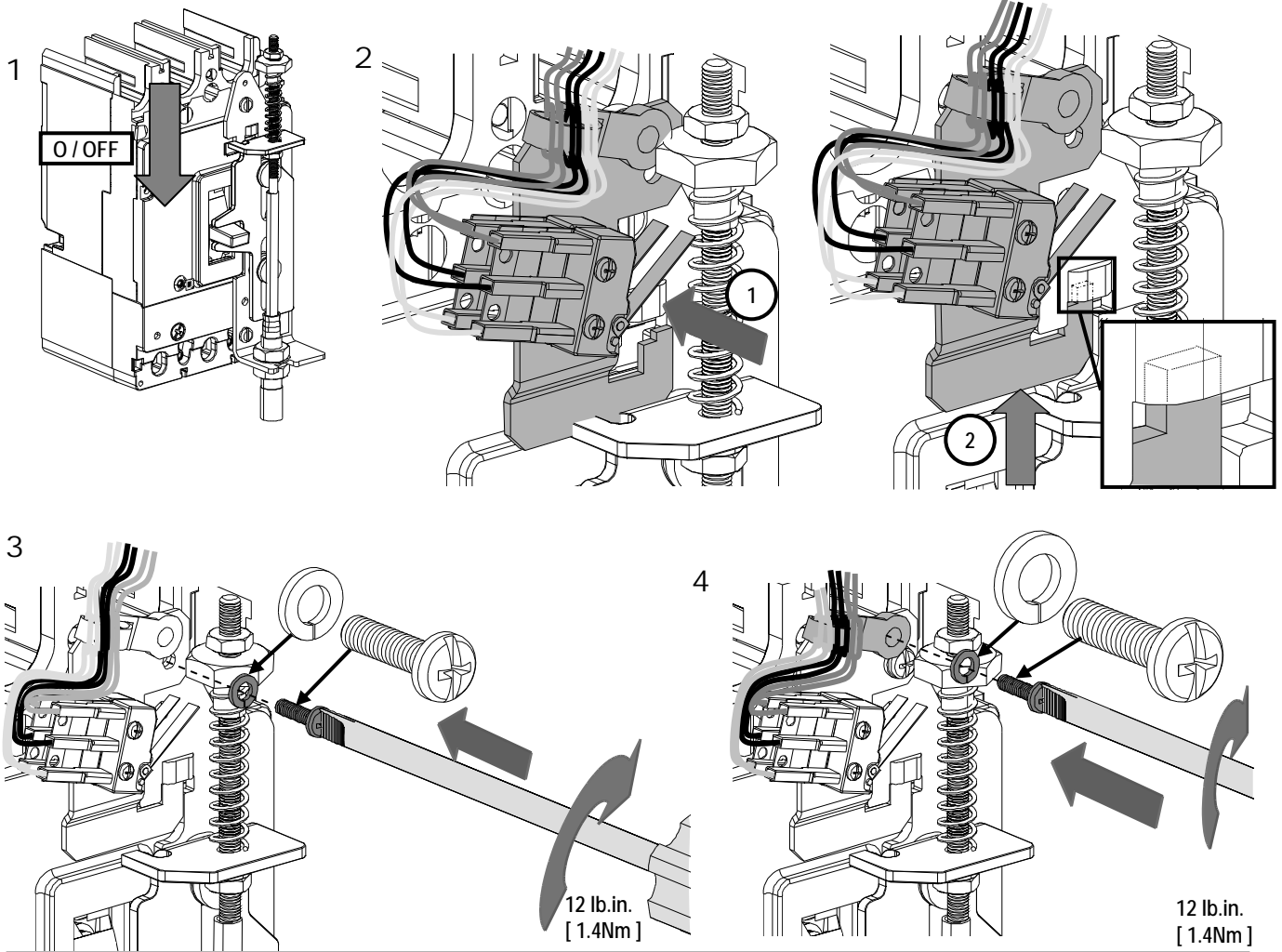
10A, 125 / 250 VAC; 1/4 HP, 125 VAC Switch Manufacturer's Contact Ratings at Direct Voltage [Intensidad de contacto a voltaje directo por el fabricante] Minimum Contact Load is 100mA @ 12VAC/DC [Mínimo Contacto de Carga es 100mA @ 12VAC/DC]		
Switch Voltage [Voltaje del interruptor]	Switch Current Resistive Load [Carga del interruptor de corriente resistiva]	Inductive Load L / R = 3ms [Carga de inducción L/R= 3ms]
12V	10A	10A
24V	5A	5A
110V	0.5A	0.5A
220V	0.25A	0.25A



DG, FG

MFSFA1 / 3VL93002AP11
MFSFA2 / 3VL93002AP21

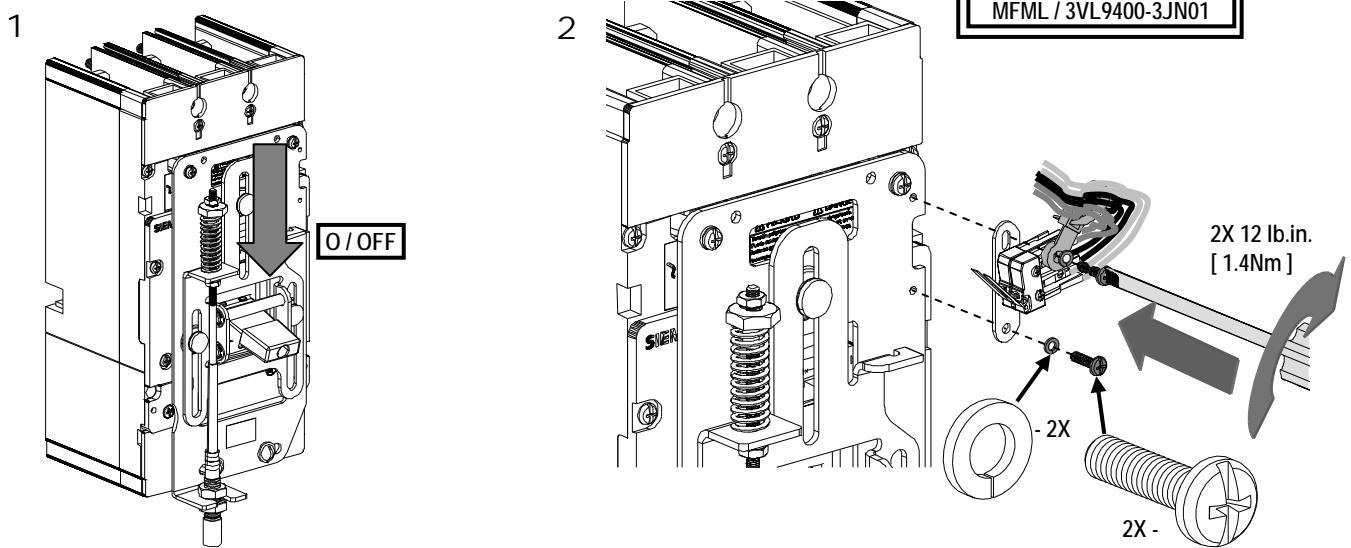
Max - Flex™ Operators
Operadores Max-Flex™
MFMF / 3VL9300-3JN01
MFKF3R / 3VL9300-3JM01



MFSLA1 / 3VL94002AP11
MFSLA2 / 3VL94002AP21

JG, LG

Max - Flex™ Operators
Operadores Max-Flex™
MFKL3R / 3VL9400-3JM01
MFML / 3VL9400-3JN01



	⚠ Danger	⚠ Peligro	⚠ Danger
	Hazardous Voltage. Will cause death or serious injury.	Tensión peligrosa. Puede causar la muerte o lesiones graves.	Tension dangereuse. Danger de mort ou risque de blessures graves.
	Turn off and lock out all power supplying this device before working on this device. Replace all covers before power supplying this device is turned on.	Desenergice totalmente antes de instalar o darle servicio. Reemplace todas las barreras y cubiertas antes de energizar el interruptor.	Couper l'alimentation de l'appareil et barrer avant de travailler. Remplacez tous les couverts avant que l'alprovisionnement de pouvoir soit alimenté.

Max - Flex™ Operators
Operadores Max-Flex™

MFHM3R / 3VL9600-3JP01
MFHM3RB / 3VL9600-3JP11
MFKM3R / 3VL9600-3JM01
MFMM / 3VL9600-3JN01

MG

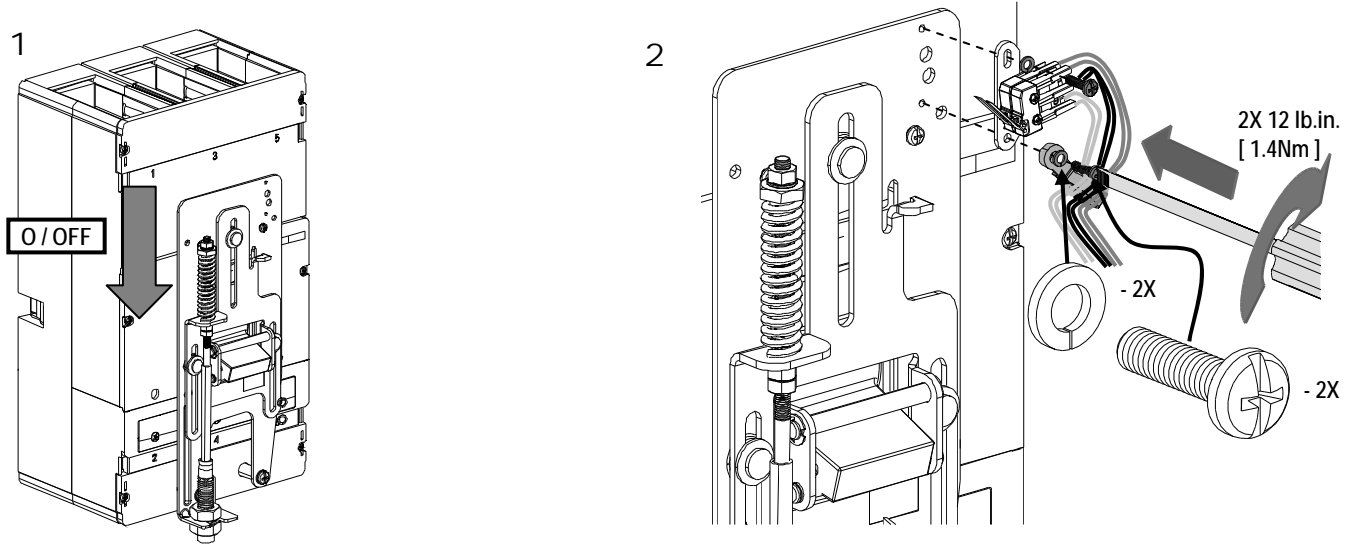
MG, NG, PG

MFSPAS1 / 3VL98002AP11
MFSPAS2 / 3VL98002AP21

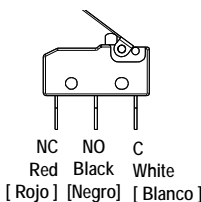
NG, PG









Max - Flex™ Operators
Operadores Max-Flex™

MFKP3RS / 3VL9800-3JM01
MFMP / 3VL9800-3JN01



Test:
[Prueba:]



	Red [Rojo] NC	NO Black [Negro]	Result [Resultado]	
	White [Blanco] C	C White [Blanco]		
ON / I 	O	I		Finished / Ready [Terminado / Listo]
ON / I 	O	I		Call Technical Support [Lamar a Soporte Técnico]
OFF / O 	I	O		Finished / Ready [Terminado / Listo]
OFF / O 	I	O		Call Technical Support [Lamar a Soporte Técnico]

For Support in Europe refer to :

Bestell-Nr. / Order No.: 3ZX1012-0VL68-8EA1 Internet: www.siemens.de/lowvoltage/technical-assistance GWA 4NEB 1796832-10 DS 02

Technical Support: Toll Free: 1-800-241-4453 Internet: www.usa.siemens.com/powerdistribution