

Thermal Magnetic Trip Unit

Disparador por sobreintensidad magnetotérmico

Déclencheur magnétothermique

	U.S. Cat. No.	Euro Order No.
Item:	CDT_B	3VL92 - 7 - 8

CFT_B 3VL93 - 7 - 8

For Use With Frame DG, FG
Para Usar Con Caja Base DG, FG

Installation Instructions / Instructivo de Instalación

	⚠ Danger	⚠ Peligro	⚠ Danger!
	Hazardous Voltage Will cause death or serious injury	Tensión peligrosa. Puede causar la muerte o lesiones graves.	Tension dangereuse. Danger de mort ou risque de blessures graves.
	Turn off and lock out all power supplying this device before working on this device. Replace all covers before power supplying this device is turned on.	Desenergice totalmente antes de instalar o darle servicio. Reemplace todas las barreras y cubiertas antes de energizar el interruptor.	Couper l'alimentation de l'appareil et barrer avant de travailler. Remplacez tous les couverts avant que l'alimentation de pouvoir soit alimenté.

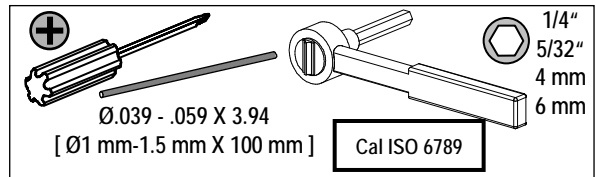
Use only with Siemens certified Components.

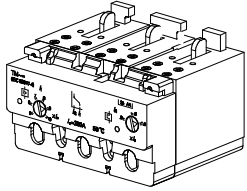
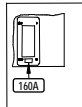
Utilizar únicamente con componentes certificados de Siemens.

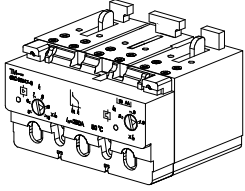
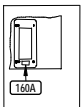
A utiliser uniquement avec les composants certifiés Siemens.

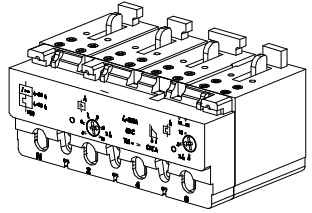
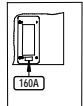
NOTE - These instructions do not purport to cover all details or variations in equipment, or to provide for every possible contingency to be met in connection with installation, operation or maintenance. Should further information be desired or should particular problems arise, which are not covered sufficiently for the purchaser's purposes, the matter should be referred to the local Siemens sales office. The contents of this instruction manual shall not become part of or modify any prior or existing agreement, commitment or relationship. The sales contract contains the entire obligation of Siemens. The warranty contained in the contract between the parties is the sole warranty of Siemens. Any statements contained herein do not create new warranties or modify the existing warranty.

Trademarks - Unless otherwise noted, all names identified by ® are registered trademarks of Siemens AG or Siemens Industry, Inc. The remaining trademarks in this publication may be trademarks whose use by third parties for their own purposes could violate the rights of the owner.

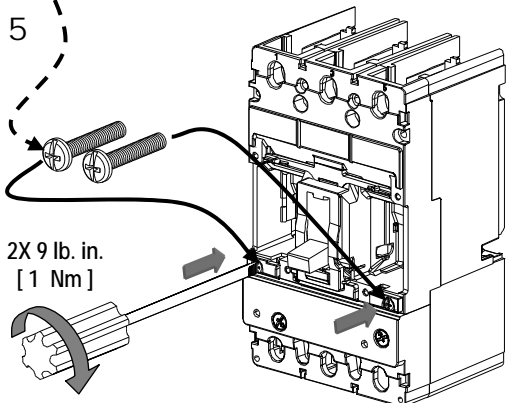
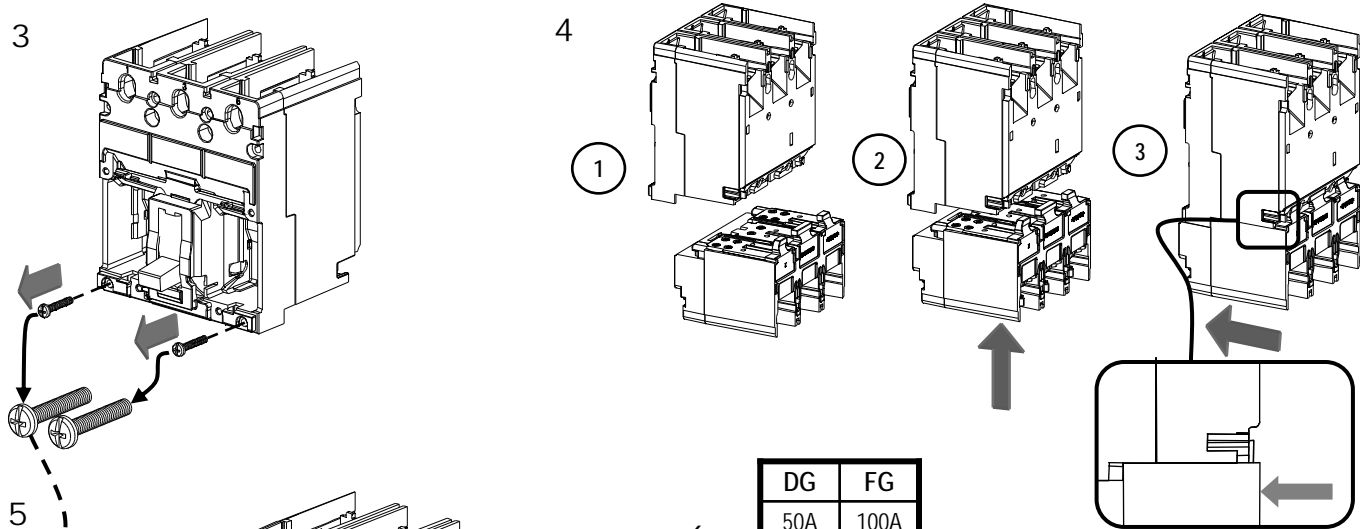
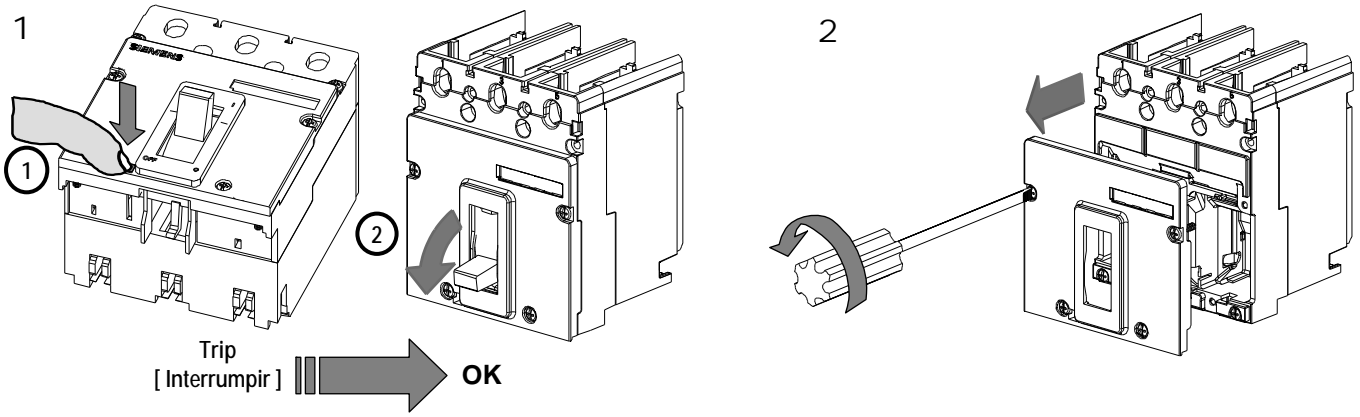


	CDT3B050	3VL9205-7KN38
	CDT3B060	3VL9206-7KN38
	CDT3B063	3VL9296-7KN38
	CDT3B070	3VL9207-7KN38
	CDT3B080	3VL9208-7KN38
	CDT3B090	3VL9291-7KN38
	CDT3B100	3VL9210-7KN38
	CDT3B110	3VL9211-7KN38
	CDT3B125	3VL9212-7KN38
	CDT3B150	3VL9215-7KN38
	CFT3B100	3VL9310-7KN38
	CFT3B110	3VL9311-7KN38
	CFT3B125	3VL9312-7KN38
	CFT3B150	3VL9315-7KN38
	CFT3B160	3VL9316-7KN38
	CFT3B175	3VL9317-7KN38
	CFT3B200	3VL9320-7KN38
	CFT3B225	3VL9322-7KN38
	CFT3B250	3VL9325-7KN38

	CDT2B050	3VL9205-7KN28
	CDT2B060	3VL9206-7KN28
	CDT2B063	3VL9296-7KN28
	CDT2B070	3VL9207-7KN28
	CDT2B080	3VL9208-7KN28
	CDT2B090	3VL9291-7KN28
	CDT2B100	3VL9210-7KN28
	CDT2B110	3VL9211-7KN28
	CDT2B125	3VL9212-7KN28
	CDT2B150	3VL9215-7KN28
	CFT2B100	3VL9310-7KN28
	CFT2B110	3VL9311-7KN28
	CFT2B125	3VL9312-7KN28
	CFT2B150	3VL9315-7KN28
	CFT2B160	3VL9316-7KN28
	CFT2B175	3VL9317-7KN28
	CFT2B200	3VL9320-7KN28
	CFT2B225	3VL9322-7KN28
	CFT2B250	3VL9325-7KN28

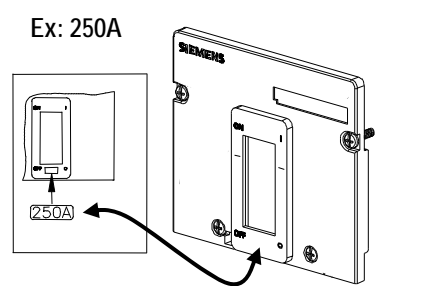
	CDT4B050	3VL9205-7LQ48
	CDT4B060	3VL9206-7LQ48
	CDT4B070	3VL9207-7LQ48
	CDT4B080	3VL9208-7LQ48
	CDT4B090	3VL9291-7LQ48
	CDT4B100	3VL9210-7LQ48
	CDT4B110	3VL9211-7LQ48
	CDT4B125	3VL9212-7LQ48
	CDT4B150	3VL9215-7LQ48
		CFT4B100
CFT4B110		3VL9311-7LQ48
CFT4B125		3VL9312-7LQ48
CFT4B150		3VL9315-7LQ48
CFT4B160		3VL9316-7LQ48
CFT4B175		3VL9317-7LQ48
CFT4B200		3VL9320-7LQ48
CFT4B225		3VL9322-7LQ48
CFT4B250		3VL9325-7LQ48





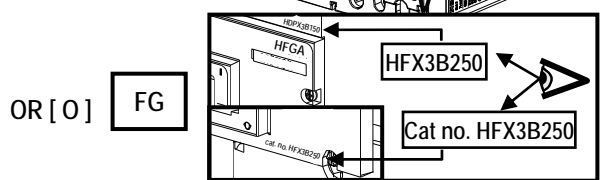
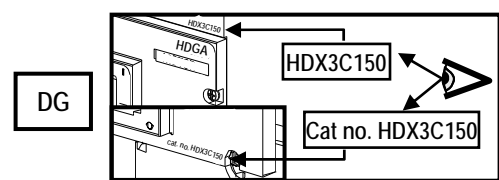
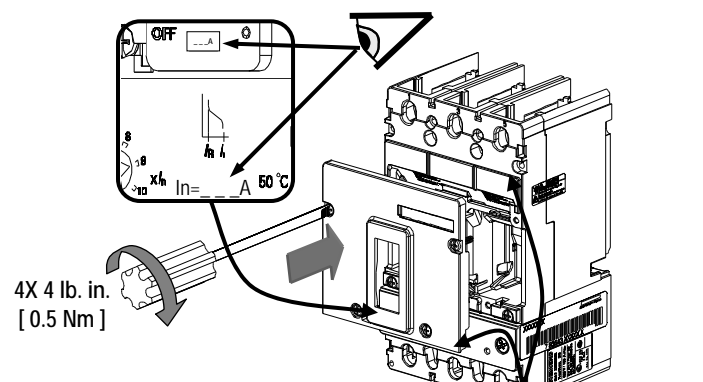
6

DG	FG
50A	100A
60A	110A
70A	125A
80A	150A
90A	175A
100A	200A
110A	225A
125A	250A
150A	



7

Ex: HDX3C150 / 3VL2115-2KB30-0AA0
HFX3C250 / 3VL2125-2KB30-0AA0





Danger

Hazardous Voltage
Will cause death or serious injury

Turn off and lock out all power supplying this device before working on this device.
Replace all covers before power supplying this device is turned on.

Peligro

Tensión peligrosa.
Puede causar la muerte o lesiones graves.

Desenergice totalmente antes de instalar o darle servicio.
Reemplace todas las barreras y cubiertas antes de energizar el interruptor.

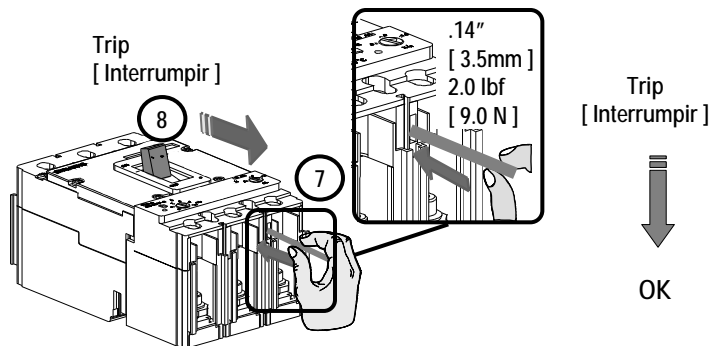
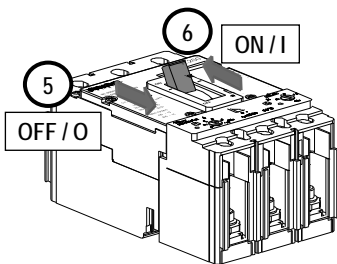
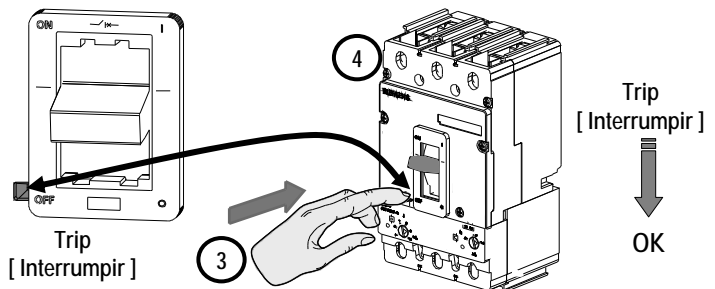
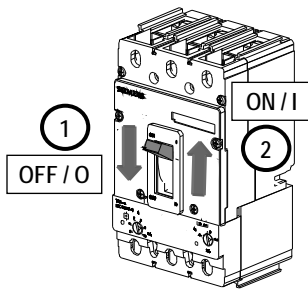
Danger!

Tension dangereuse.
Danger de mort ou risque de blessures graves.

Couper l'alimentation de l'appareil et barrer avant de travailler.
Remplacez tous les couverts avant que l'alimentation de pouvoir soit alimenté.

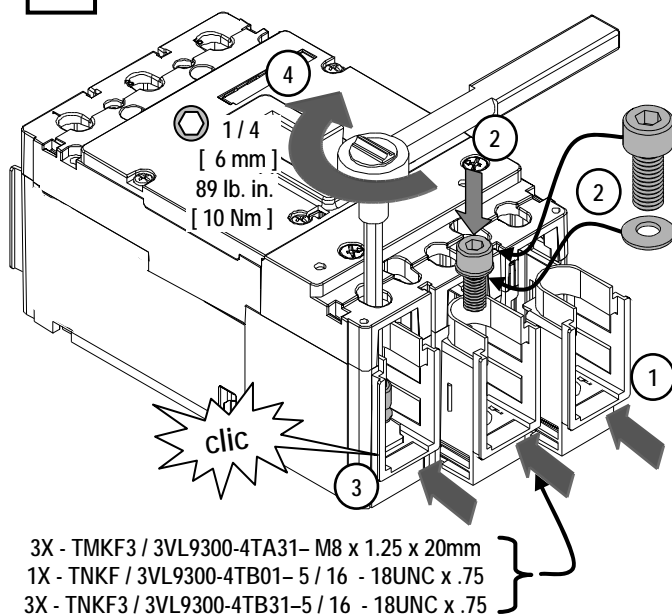
Test: [Prueba:]

8

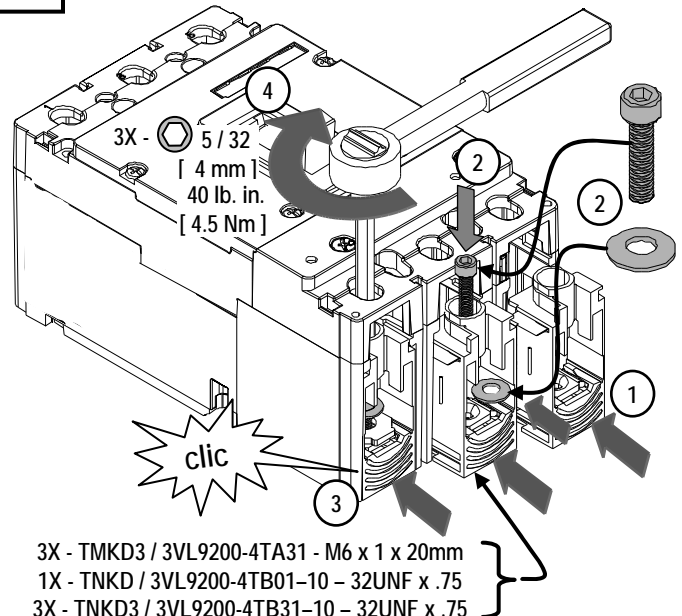


Accessory [Accesorio]

FG



DG



For Support in Europe refer to :

Bestell-Nr. / Order No.: 3ZX1012-0VL21-0AA2

Internet: www.siemens.de/lowvoltage/technical-assistance

GWA 4NEB 172 6807-10 DS 02

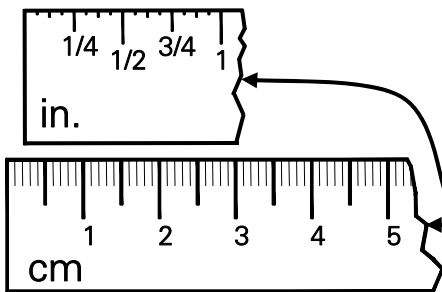
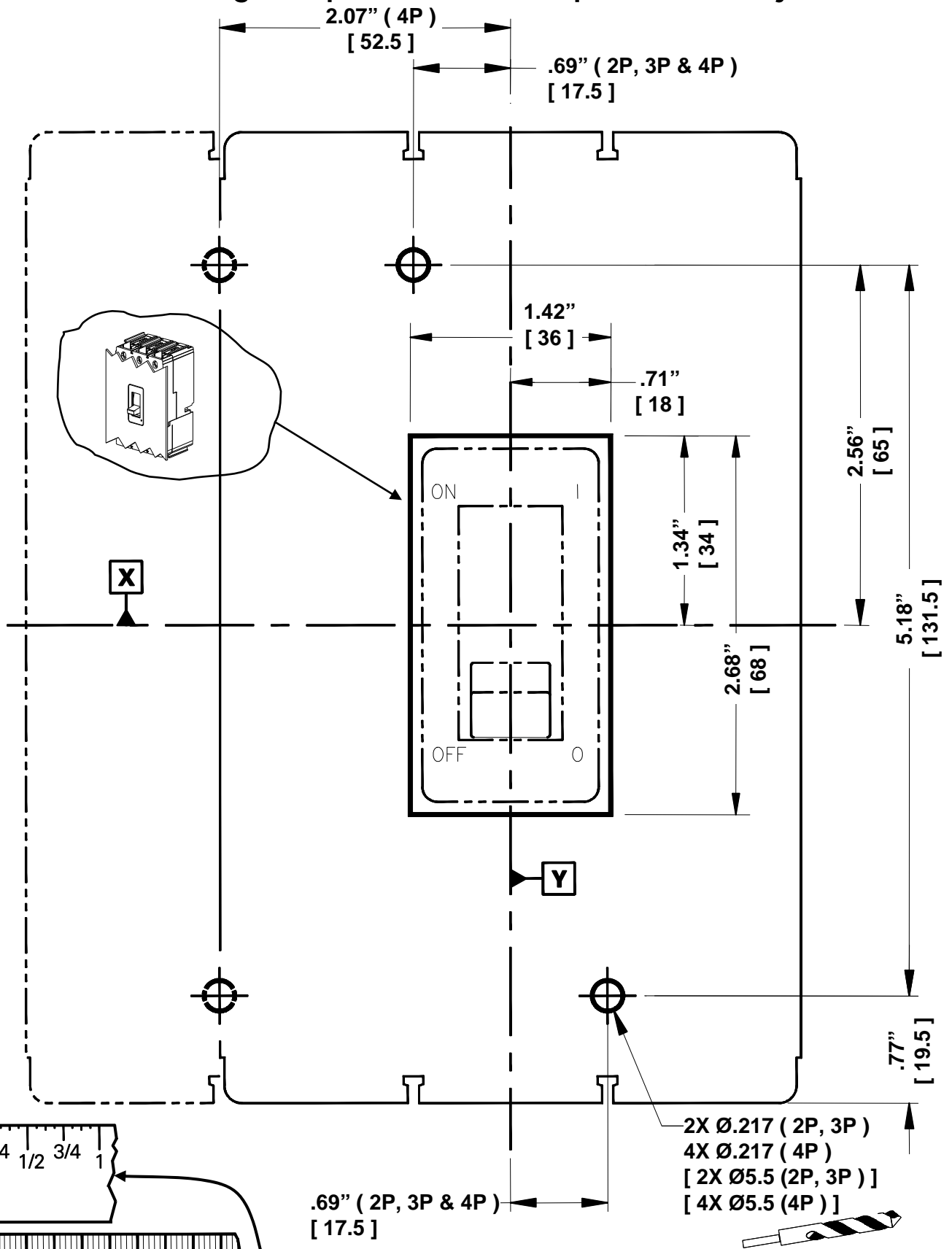
Technical Support:

Toll Free: 1-800-241-4453

Internet: www.usa.siemens.com/powerdistribution

Subject to change without prior notice
Siemens Industry, Inc., Norcross, GA 30092 U.S.A.

Mounting Template / [Patrón para el Montaje]



Verify 1:1 scale before using
[Verifique la escala de 1:1 antes de usar]