

# SIEMENS

Plug-in Socket Accessories  
 Accesorios para zócalo de enchufe  
 Connecteur de contacts auxiliaires pour socle

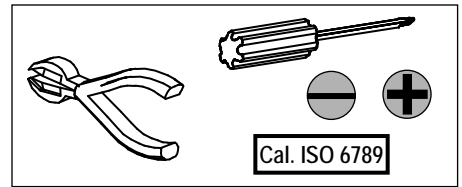
U.S. Cat. No.	Euro Order No.
Item: PCTF83	3VL9300-4PJ01

For Use With Frame DG, FG  
 Para Usar Con Caja Base DG, FG

Installation Instructions / Instructivo de Instalación

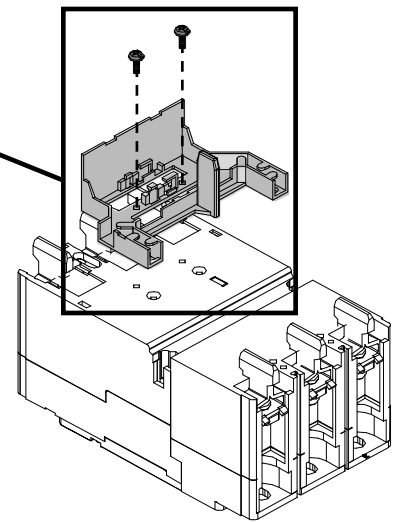
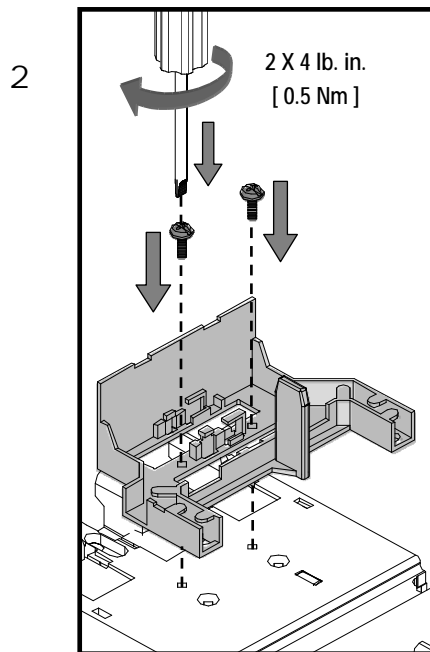
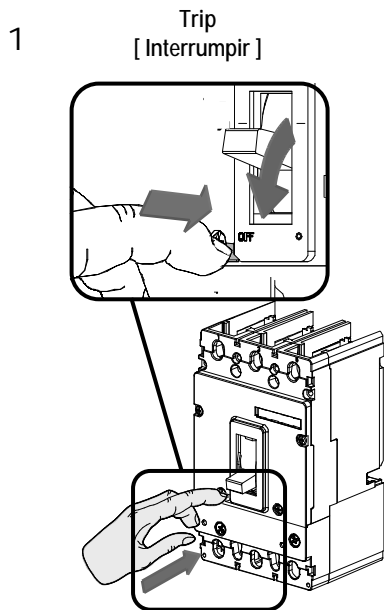
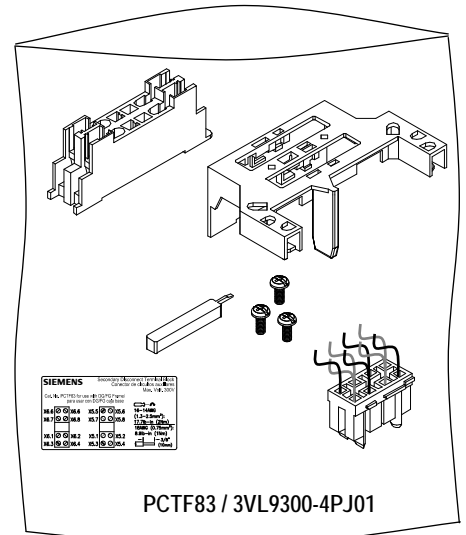
	<b>⚠ Danger</b>	<b>⚠ Peligro</b>	<b>⚠ Danger</b>
	<b>Hazardous Voltage.</b> Will cause death or serious injury.	<b>Tensión peligrosa.</b> Puede causar la muerte o lesiones graves.	<b>Tension dangereuse.</b> Danger de mort ou risque de blessures graves.
	Turn off and lock out all power supplying this device before working on this device. Replace all covers before power supplying this device is turned on.	Desenergice totalmente antes de instalar o darle servicio. Reemplace todas las barreras y cubiertas antes de energizar el interruptor.	Couper l'alimentation de l'appareil et barrer avant de travailler. Remplacez tous les couverts avant que l'alprovisionnement de pouvoir soit alimenté.

Use only with Siemens certified Components.  
 Utilizar únicamente con componentes certificados de Siemens.  
 A utiliser uniquement avec les composants certifiés Siemens.

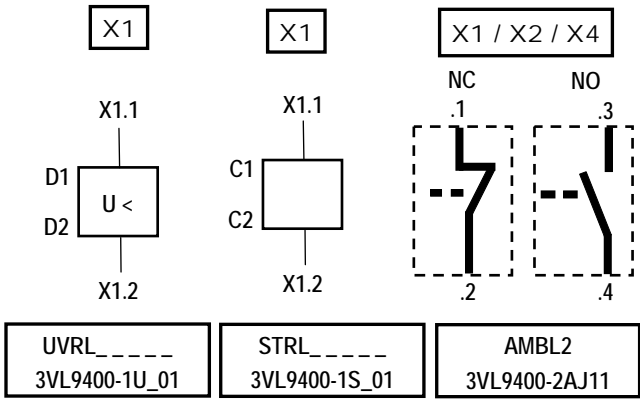
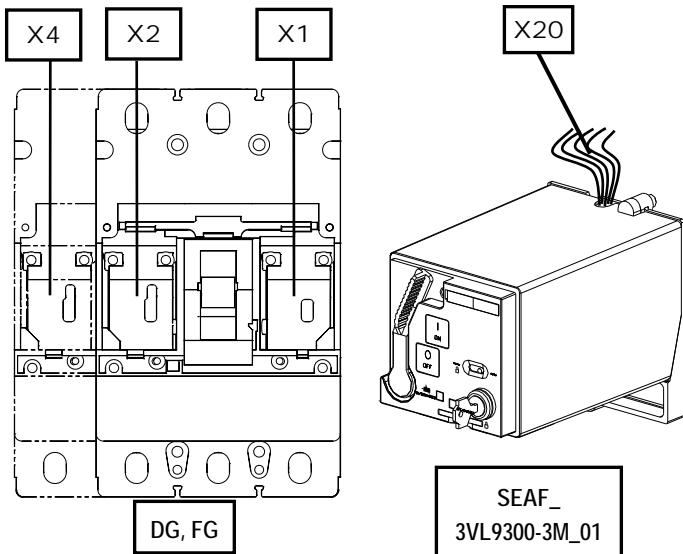


NOTE - These instructions do not purport to cover all details or variations in equipment, or to provide for every possible contingency to be met in connection with installation, operation or maintenance. Should further information be desired or should particular problems arise, which are not covered sufficiently for the purchaser's purposes, the matter should be referred to the local Siemens sales office. The contents of this instruction manual shall not become part of or modify any prior or existing agreement, commitment or relationship. The sales contract contains the entire obligation of Siemens. The warranty contained in the contract between the parties is the sole warranty of Siemens. Any statements contained herein do not create new warranties or modify the existing warranty.

Trademarks - Unless otherwise noted, all names identified by ® are registered trademarks of Siemens AG or Siemens Industry, Inc. The remaining trademarks in this publication may be trademarks whose use by third parties for their own purposes could violate the rights of the owner.



**Recommended [ Recomendado ]**

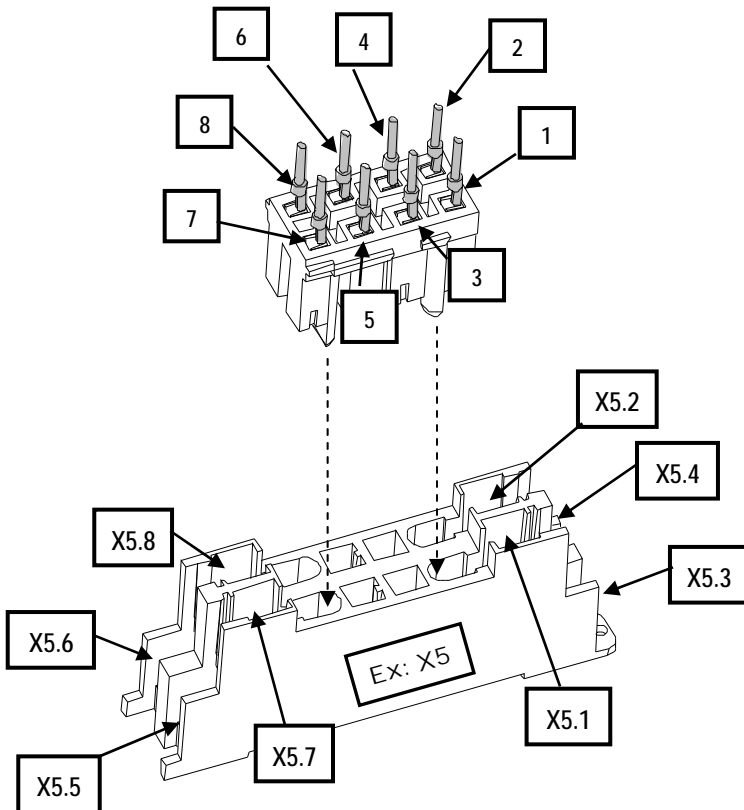


**SIEMENS** Secondary Disconnect Terminal Block  
 Conector de circuitos auxiliares  
 Max. Volt. 300V

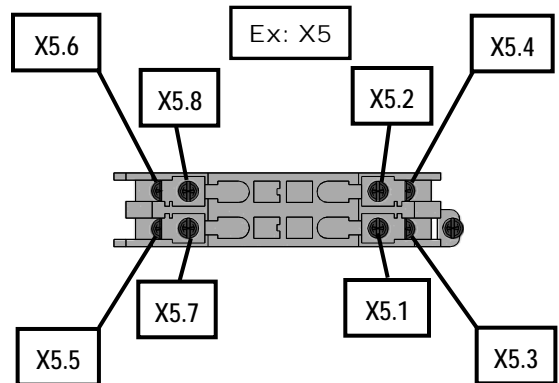
Cat. No. PCTF83 for use with DG/FG Frame/  
 para usar con DG/FG caja base

X6.6	⊗ ⊗	X6.6	X5.5	⊗ ⊗	X5.6
X6.7	⊗ ⊗	X6.8	X5.7	⊗ ⊗	X5.8
X6.1	⊗ ⊗	X6.2	X5.1	⊗ ⊗	X5.2
X6.3	⊗ ⊗	X6.4	X5.3	⊗ ⊗	X5.4

16-14AWG  
 (1.3-2.5mm<sup>2</sup>):  
 17.7lb-in (2Nm)  
 18AWG (0.75mm<sup>2</sup>):  
 8.9lb-in (1Nm)



Ex: X5	Pin	English	Español
X5.1	1	violet	violeta
X5.2	2	orange	naranja
X5.3	3	blue	azul
X5.4	4	yellow	amarillo
X5.5	5	green	verde
X5.6	6	red	rojo
X5.7	7	black	negro
X5.8	8	white	blanco





# Danger

**Hazardous Voltage.**  
Will cause death or serious injury.

Turn off and lock out all power supplying this device before working on this device.  
Replace all covers before power supplying this device is turned on.



# Peligro

**Tensión peligrosa.**  
Puede causar la muerte o lesiones graves.

Desenergice totalmente antes de instalar o darle servicio.  
Reemplace todas las barreras y cubiertas antes de energizar el interruptor.

# Danger

**Tension dangereuse.**  
Danger de mort ou risque de blessures graves.

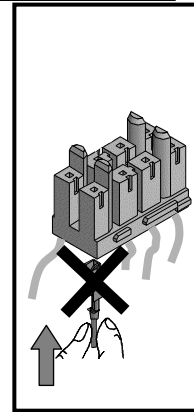
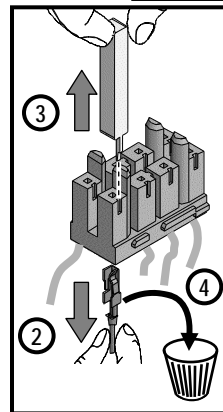
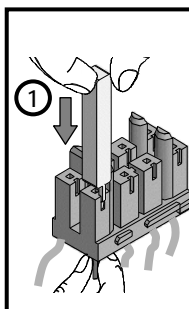
Couper l'alimentation de l'appareil et barrer avant de travailler.  
Remplacez tous les couverts avant que l'alimentation de pouvoir soit alimenté.

## Recommended Wiring [el atar con alambre recomendado]

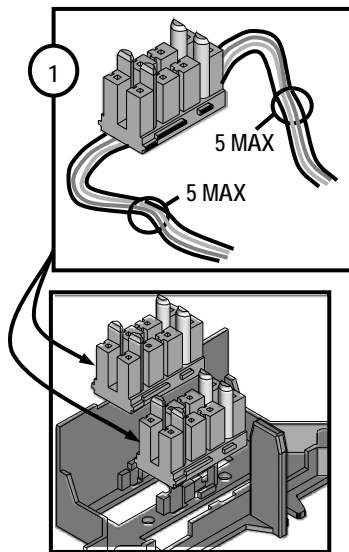
	X5.1 - X5.8	↔	X1	X2	X4
	X6.1 - X6.2	↔	X1.1 - X1.2		
	X6.3 - X6.8	↔	X1	X2	X4
	X5.1 - X5.5	↔	X20.1 - X20.5		
	X5.6 - X5.7	↔	X1	X2	X4
	X6.1 - X6.2	↔	X1	X2	X4
	X6.3 - X6.8	↔	X1.1 - X1.2		

## Option: [ Opción: ]

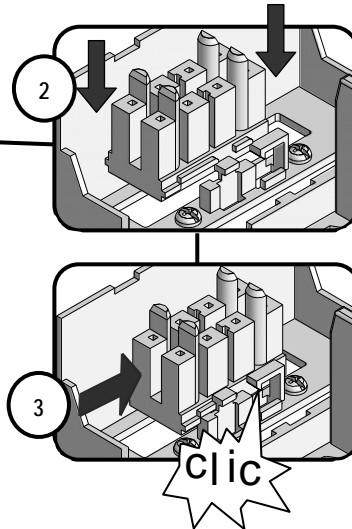
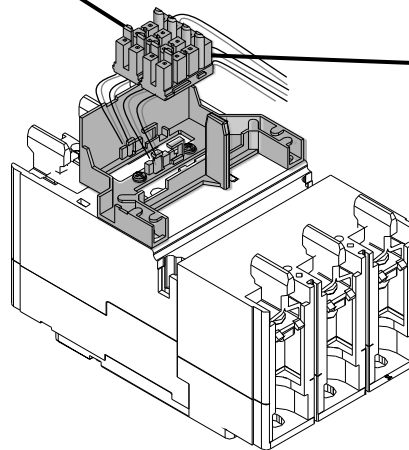
Wires not used.  
[Conductores no utilizados.]



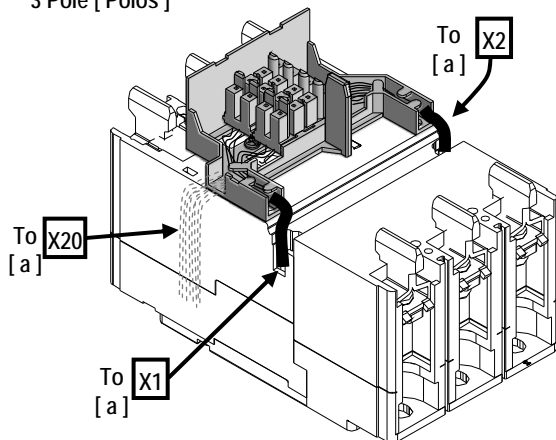
3



Ex: 2 X - PCTF83 / 3VL9300-4PJ01



4a 3 Pole [ Polos ]



4b 4 Pole [ Polos ]

