

	U.S. Cat. No.	Euro Order No.
Item:	NDG_F150	3VL2015-1RA_0-0AA0
	HDG_F150	3VL2015-2RA_0-0AA0
	LDG_F150	3VL2015-3RA_0-0AA0
	NFG_F250	3VL3025-1RA_0-0AA0
	HFG_F250	3VL3025-2RA_0-0AA0
	LFG_F250	3VL3025-3RA_0-0AA0

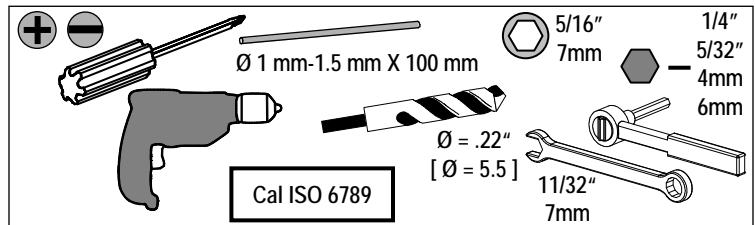
Circuit Breaker, frame only
 Interruptor caja base
 Disjoncteur de base

For Use With Frame DG, FG
 Para Usar Con Caja Base DG, FG

Installation Instructions / Instructivo de Instalación

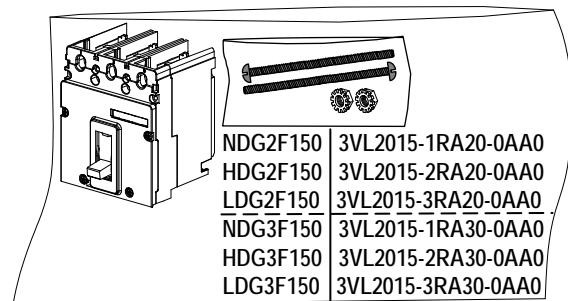
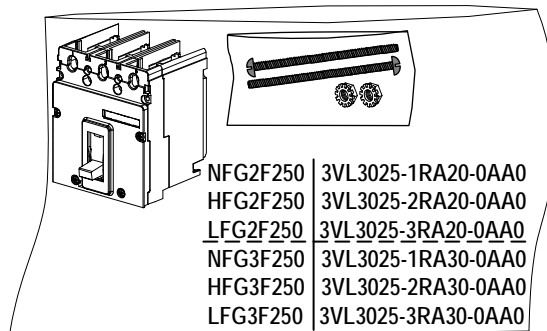
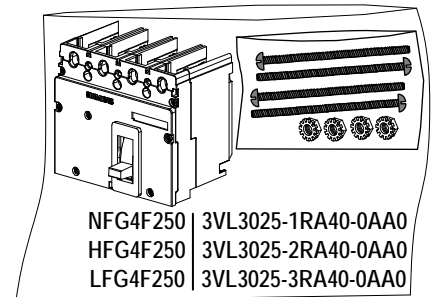
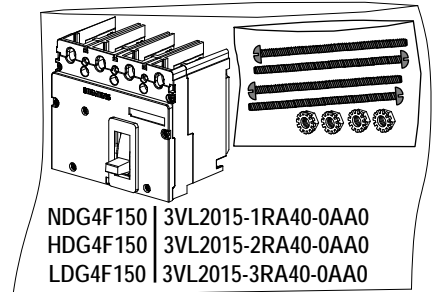
	 Danger	 Peligro	 Danger
	Hazardous Voltage. Will cause death or serious injury.	Tensión peligrosa. Puede causar la muerte o lesiones graves.	Tension dangereuse. Danger of mort ou risque de blessures graves.
	Turn off and lock out all power supplying this device before working on this device. Replace all covers before power supplying this device is turned on.	Desenergice totalmente antes de instalar o darle servicio. Reemplace todas las barreras y cubiertas antes de energizar el interruptor.	Couper l'alimentation de l'appareil et barrer avant de travailler. Remplacez tous les couverts avant que l'alprovisionnement de pouvoir soit alimenté.

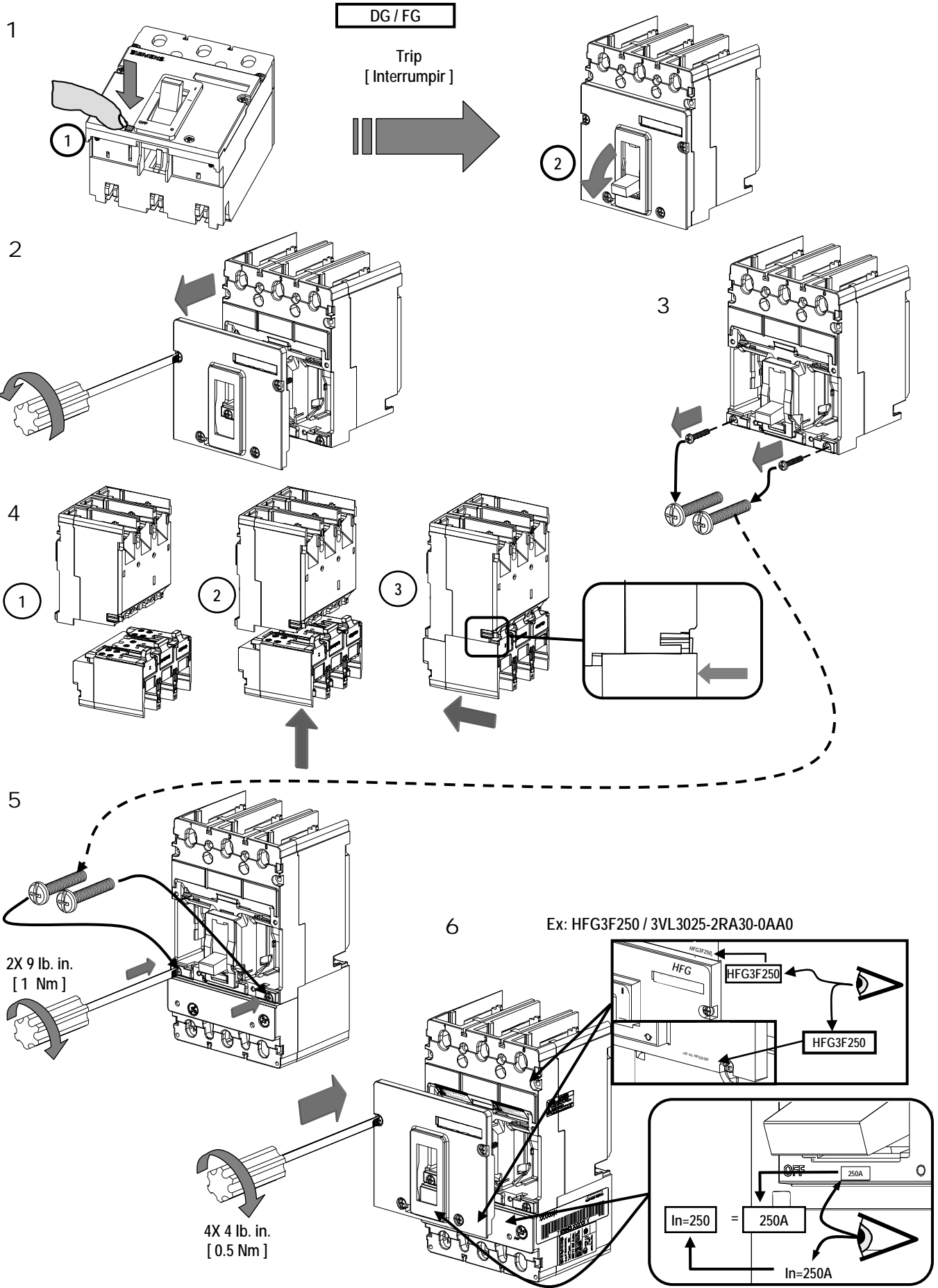
Use only with Siemens certified Components.
 Utilizar únicamente con componentes certificados de Siemens.
 A utiliser uniquement avec les composants certifiés Siemens.



NOTE - These instructions do not purport to cover all details or variations in equipment, or to provide for every possible contingency to be met in connection with installation, operation or maintenance. Should further information be desired or should particular problems arise, which are not covered sufficiently for the purchaser's purposes, the matter should be referred to the local Siemens sales office. The contents of this instruction manual shall not become part of or modify any prior or existing agreement, commitment or relationship. The sales contract contains the entire obligation of Siemens. The warranty contained in the contract between the parties is the sole warranty of Siemens. Any statements contained herein do not create new warranties or modify the existing warranty.

Trademarks - Unless otherwise noted, all names identified by ® are registered trademarks of Siemens AG or Siemens Industry, Inc. The remaining trademarks in this publication may be trademarks whose use by third parties for their own purposes could violate the rights of the owner.







Danger

Hazardous Voltage.
Will cause death or serious injury.



Turn off and lock out all power supplying this device before working on this device.
Replace all covers before power supplying this device is turned on.

Peligro

Tensión peligrosa.
Puede causar la muerte o lesiones graves.

Desenergice totalmente antes de instalar o darle servicio.
Reemplace todas las barreras y cubiertas antes de energizar el interruptor.

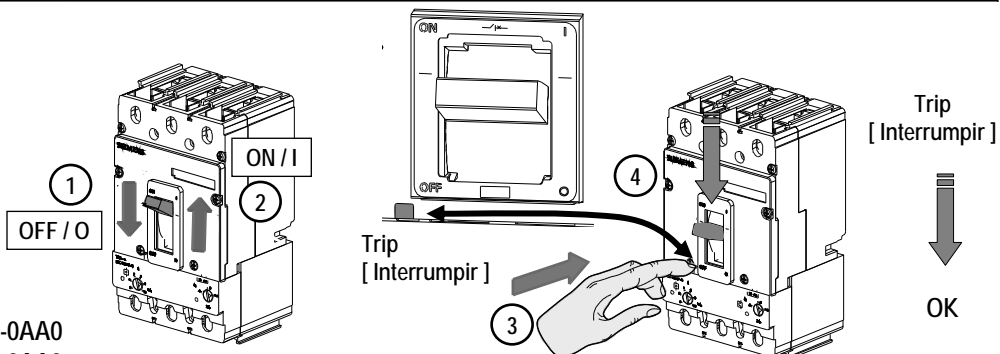
Danger

Tension dangereuse.
Danger de mort ou risque de blessures graves.

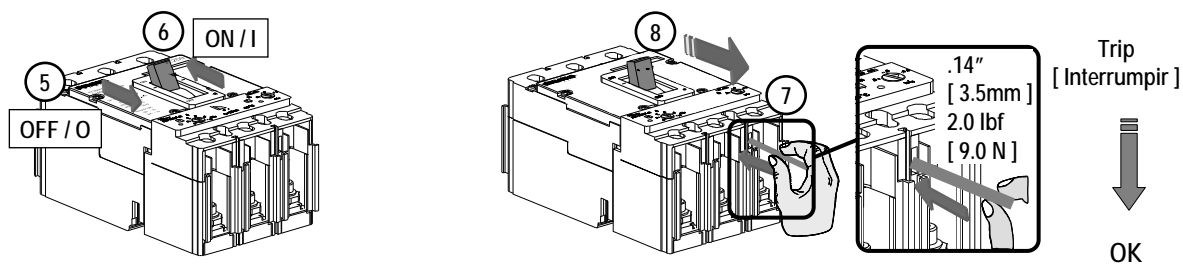
Couper l'alimentation de l'appareil et barrer avant de travailler.
Remplacez tous les couverts avant que l'approvisionnement de pouvoir soit alimenté.

Test: **[Prueba:]**

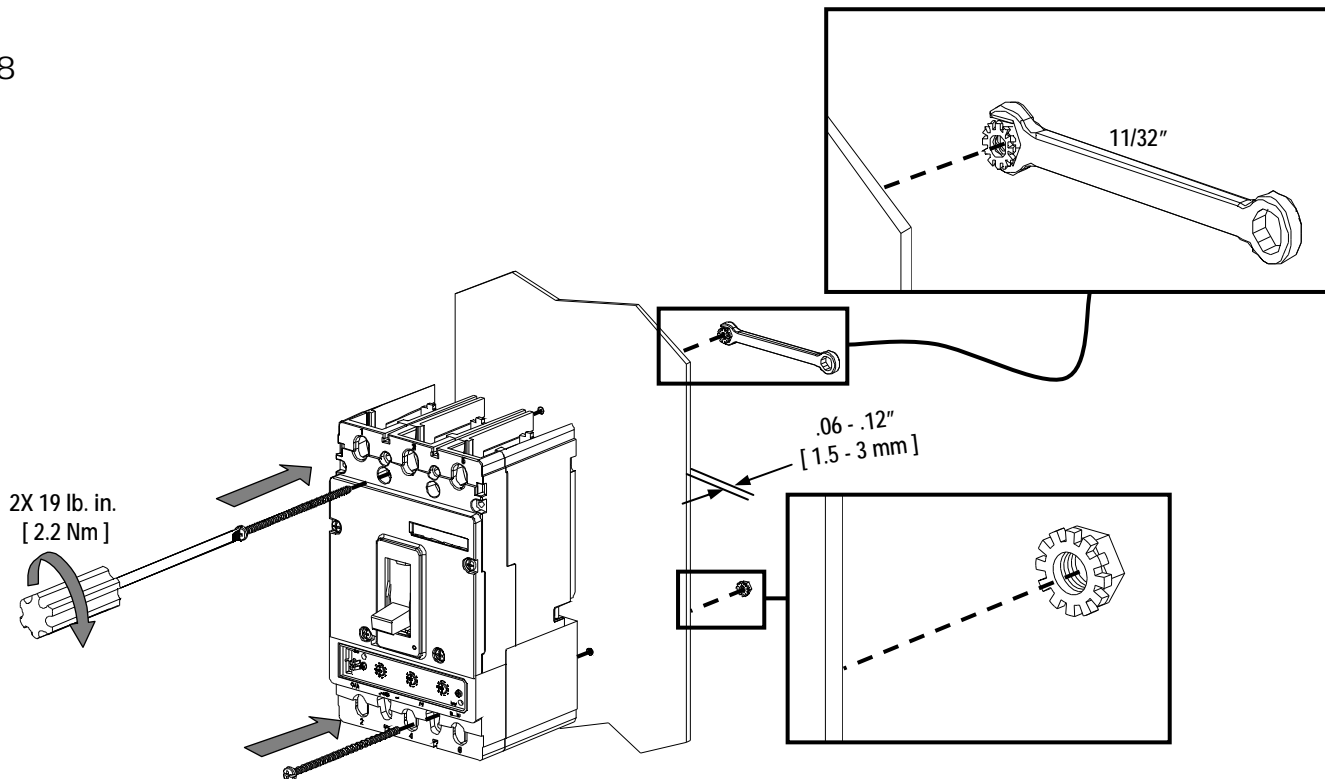
7



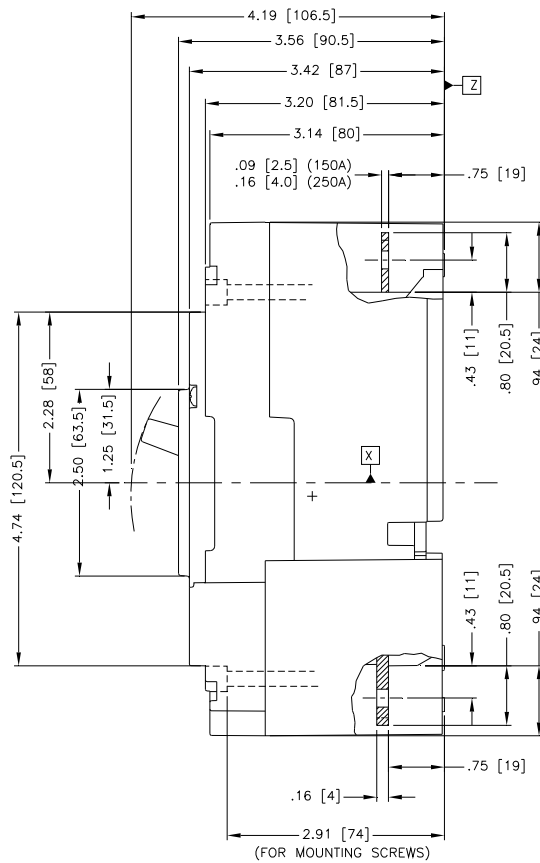
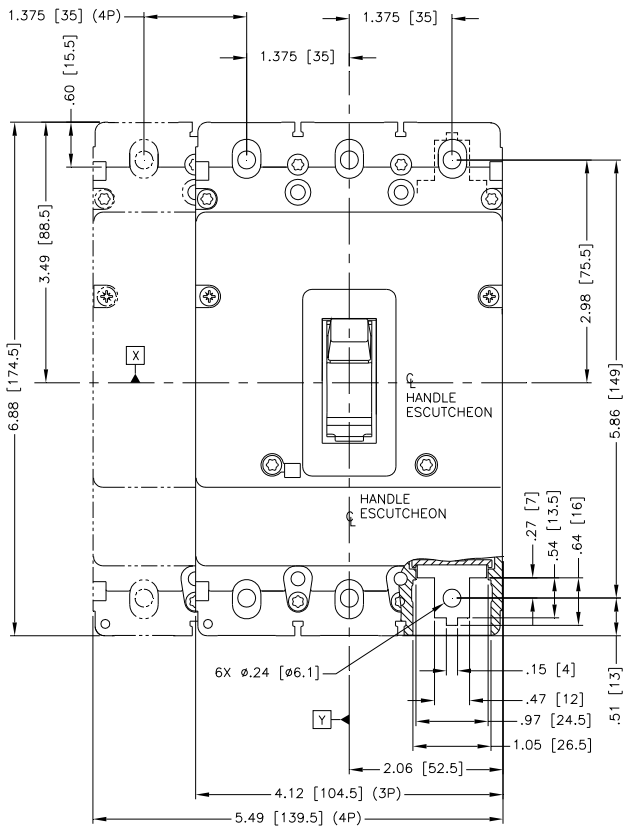
- NDG_F150 | 3VL2015 - 1RA_0 -0AA0
- HDG_F150 | 3VL2015 - 2RA_0 -0AA0
- LDG_F150 | 3VL2015 - 3RA_0 -0AA0
- NFG_F250 | 3VL3025 - 1RA_0 -0AA0
- HFG_F250 | 3VL3025 - 2RA_0 -0AA0
- LFG_F250 | 3VL3025 - 3RA_0 -0AA0



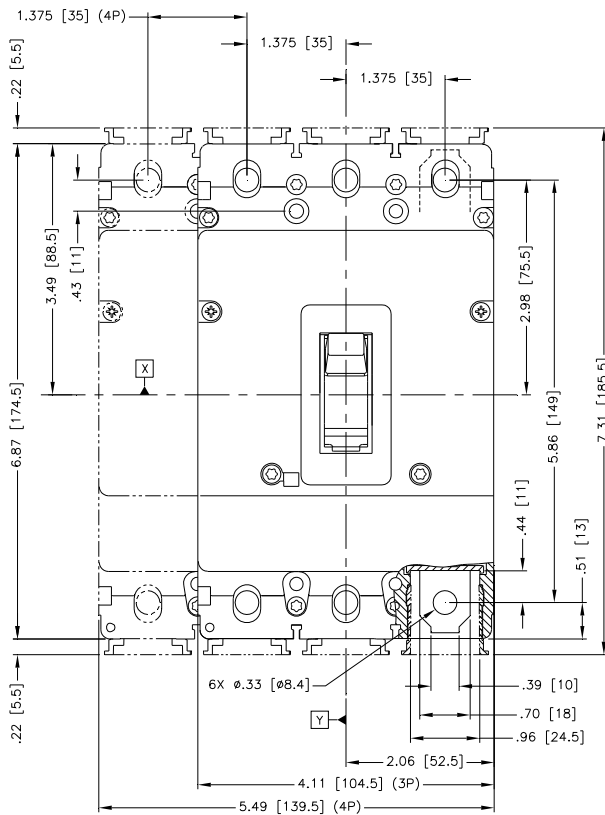
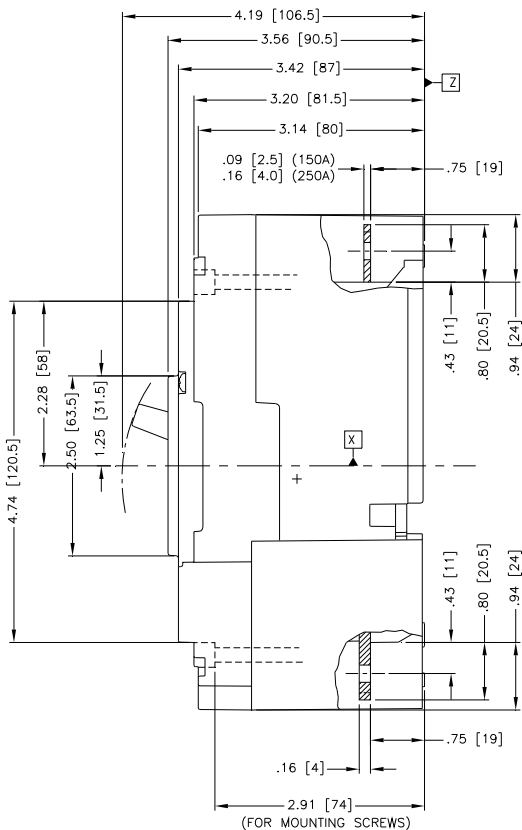
8



DG



FG





Danger

Hazardous Voltage.
Will cause death or serious injury.



Turn off and lock out all power supplying this device before working on this device.
Replace all covers before power supplying this device is turned on.

Peligro

Tensión peligrosa.
Puede causar la muerte o lesiones graves.

Desenergice totalmente antes de instalar o darle servicio.
Reemplace todas las barreras y cubiertas antes de energizar el interruptor.

Danger

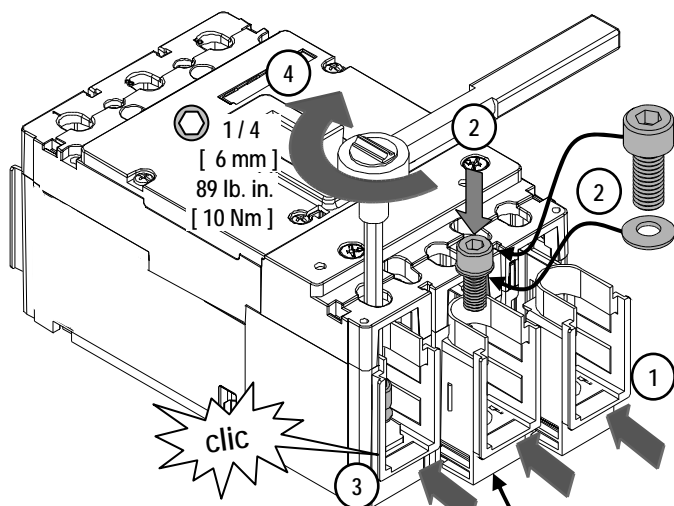
Tension dangereuse.
Danger de mort ou risque de blessures graves.

Couper l'alimentation de l'appareil et barrer avant de travailler.
Remplacez tous les couverts avant que l'alimentation de pouvoir soit alimenté.

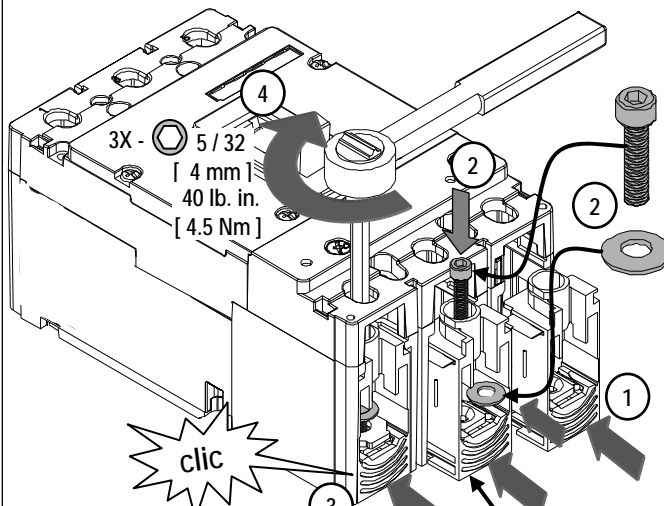
Accessory [Accesorio]

NFG_F250		3VL3025-1RA	--	-0AA0
HFG_F250		3VL3025-2RA	--	-0AA0
LFG_F250		3VL3025-3RA	--	-0AA0

NDG_F150		3VL2015-1RA	--	-0AA0
HDG_F150		3VL2015-2RA	--	-0AA0
LDG_F150		3VL2015-3RA	--	-0AA0



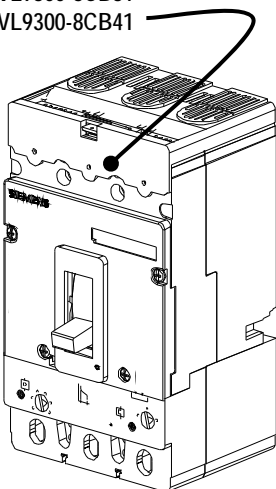
3X - TMKF3 / 3VL9300-4TA31 - M8 X 1.25 X 20mm
 1X - TNKF / 3VL9300-4TB01-5 / 16-18UNC X .75"
 3X - TNKF3 / 3VL9300-4TB31-5 / 16-18UNC X .75"



3X - TMKD3 / 3VL9200-4TA31 - M6 X 1 X 20mm
 1X - TNKD / 3VL9200-4TB01-10-32UNF X .75"
 3X - TNKD3 / 3VL9200-4TB31-10-32UNF X .75"

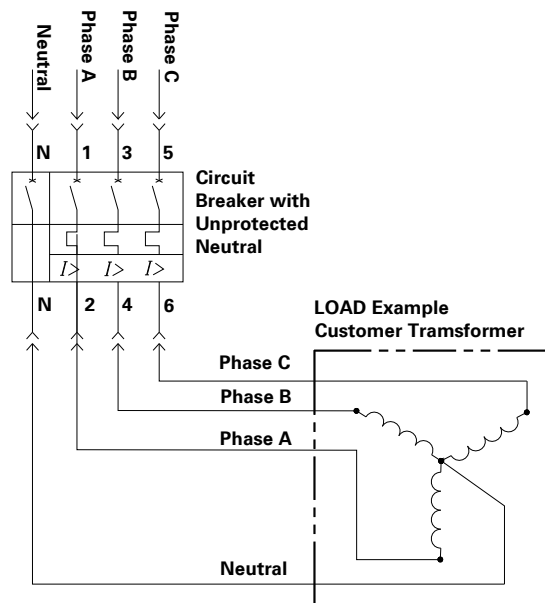
Accessory [Accesorio]

TSSF3		3VL9300-8CB31
TSSF4		3VL9300-8CB41



General Information: [Información General:]

4 Pole Application example:
[Aplicación ejemplo de 4 polos :]



Bestell-Nr. / Order No.: 3ZX1012-0VL21-0AA1

For Support in Europe refer to :

Internet: www.siemens.de/lowvoltage/technical-assistance

GWA 4NEB 172 6802-10 DS 03

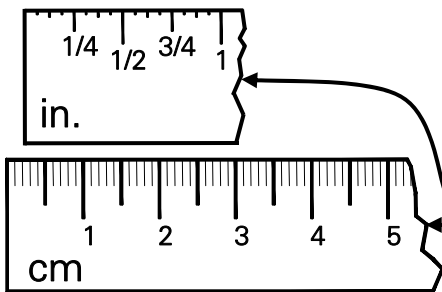
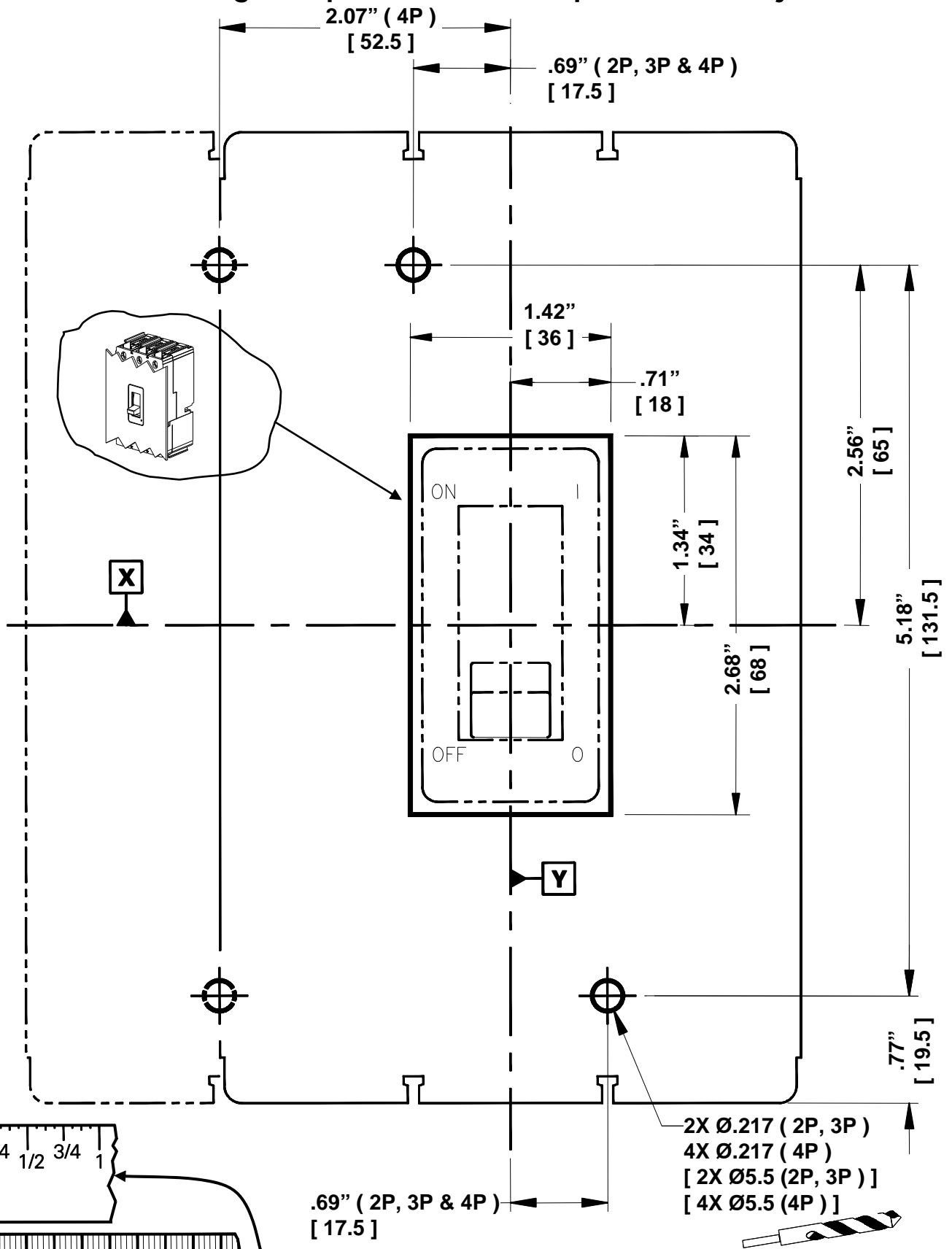
Technical Support:

Toll Free: 1-800-241-4453

Internet: www.usa.siemens.com/powerdistribution

Subject to change without prior notice
Siemens Industry, Inc., Norcross, GA 30092 U.S.A.

Mounting Template / [Patrón para el Montaje]



Verify 1:1 scale before using
[Verifique la escala de 1:1 antes de usar]