

SIEMENS

Covering Frame (toggle)
 Marco de protección para puertas
 Cadre pour découpe de porte

	U.S. Cat. No.	Euro Order No.
Item:	BZLF3	3VL9300-8BC01
	BZLL3	3VL9400-8BC01
	BZLM3	3VL9600-8BC01
	BZLP3	3VL9800-8BC01

For Use With Frame CG, DG, FG, JG, LG, MG, NG, PG
 Para Usar Con Caja Base CG, DG, FG, JG, LG, MG, NG, PG

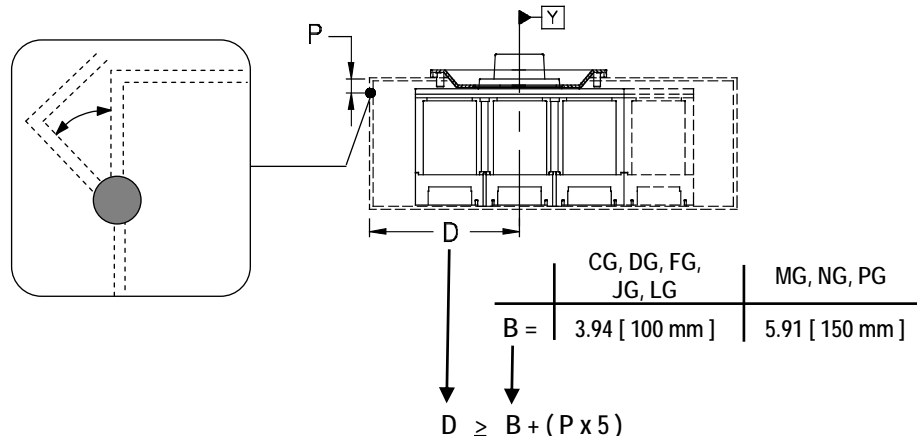
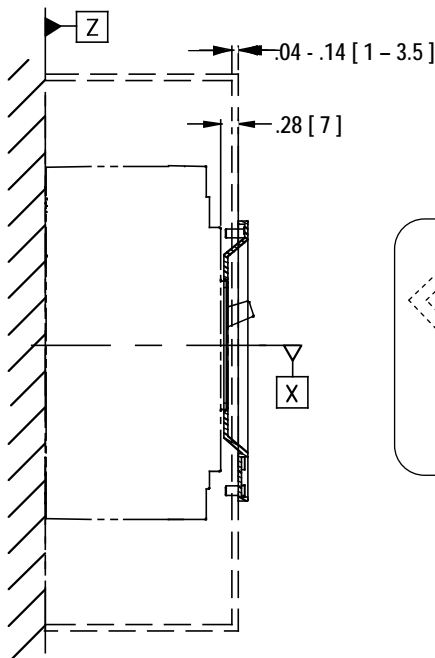
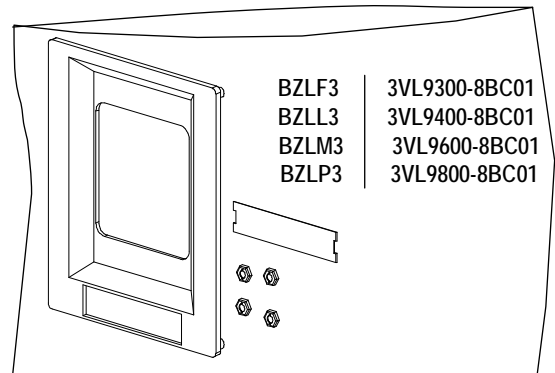
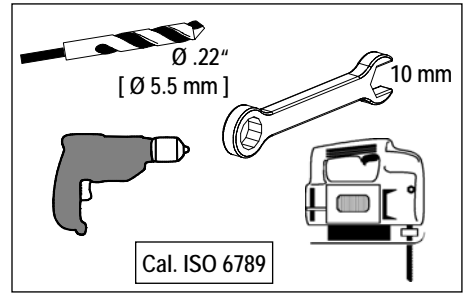
Installation Instructions / Instructivo de Instalación

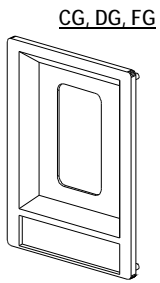
	 Danger	 Peligro	 Danger!
	Hazardous Voltage Will cause death or serious injury	Tensión peligrosa. Puede causar la muerte o lesiones graves.	Tension dangereuse. Danger de mort ou risque de blessures graves.
	Turn off and lock out all power supplying this device before working on this device. Replace all covers before power supplying this device is turned on.	Desenergice totalmente antes de instalar o darle servicio. Reemplace todas las barreras y cubiertas antes de energizar el interruptor.	Couper l'alimentation de l'appareil et barrer avant de travailler. Remplacez tous les couverts avant que l'alimentation de pouvoir soit alimenté.

Use only with Siemens certified Components.
 Utilizar únicamente con componentes certificados de Siemens.
 A utiliser uniquement avec les composants certifiés Siemens.

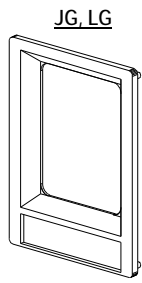
NOTE - These instructions do not purport to cover all details or variations in equipment, or to provide for every possible contingency to be met in connection with installation, operation or maintenance. Should further information be desired or should particular problems arise, which are not covered sufficiently for the purchaser's purposes, the matter should be referred to the local Siemens sales office. The contents of this instruction manual shall not become part of or modify any prior or existing agreement, commitment or relationship. The sales contract contains the entire obligation of Siemens. The warranty contained in the contract between the parties is the sole warranty of Siemens. Any statements contained herein do not create new warranties or modify the existing warranty.

Trademarks - Unless otherwise noted, all names identified by ® are registered trademarks of Siemens AG or Siemens Industry, Inc. The remaining trademarks in this publication may be trademarks whose use by third parties for their own purposes could violate the rights of the owner.

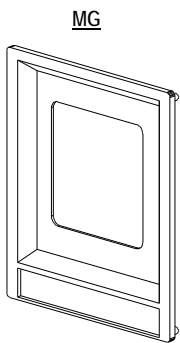
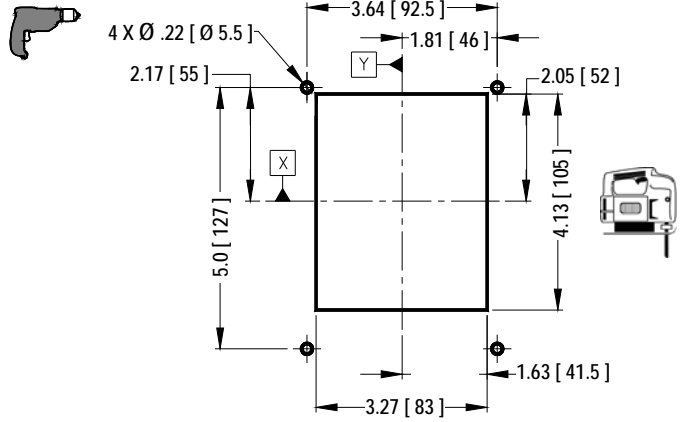




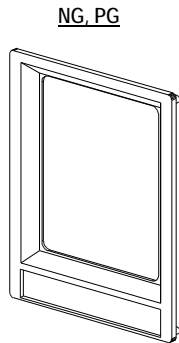
BZLF3 / 3VL9300-8BC01



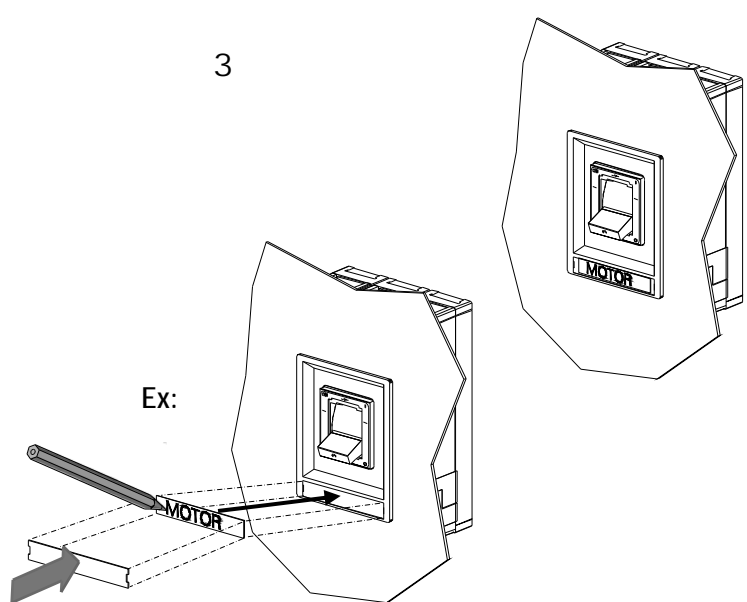
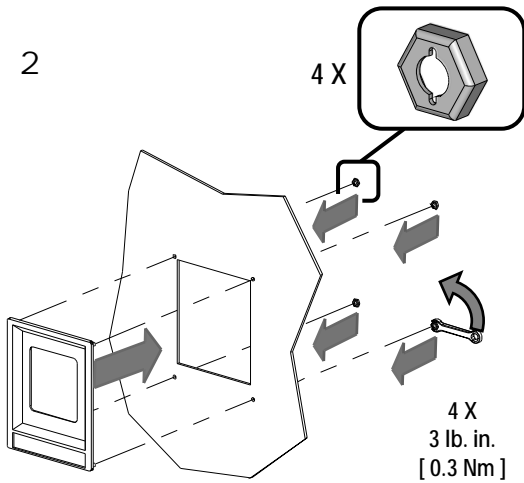
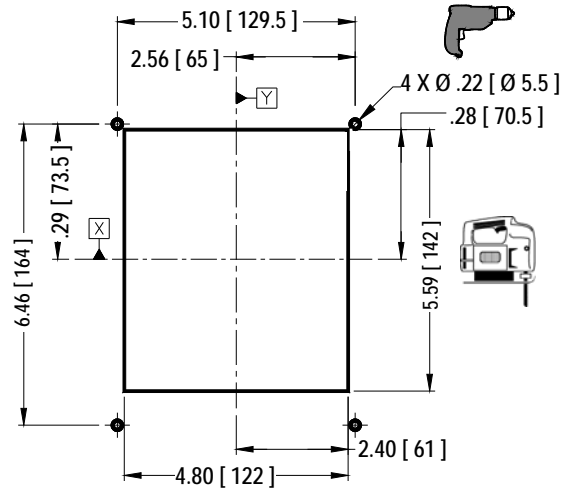
BZLL3 / 3VL9400-8BC01



BZLM3 / 3VL9600-8BC01



BZLP3 / 3VL9800-8BC01



Bestell-Nr. / Order No.: 3ZX1012-0VL68-8AA7 Internet: www.siemens.de/lowvoltage/technical-assistance GWA 4NEB 179 6908-10 DS 02

Technical Support: Toll Free: 1-800-241-4453 Internet: www.usa.siemens.com/powerdistribution

Subject to change without prior notice
 Siemens Industry, Inc., Norcross, GA 30092 U.S.A.

© Siemens Industry Inc. 2010