

SIEMENS

Cable Interlock System

Modulo de enclavamiento recíproco accionado por cable
 Interverrouillage à câble

	U.S. Cat. No.	Euro Order No.
Item:	CBTF	3VL9300-8LA01
	CBTL	3VL9400-8LA01
	CBTM	3VL9600-8LA01
	CBCF18	3VL9000-8LH11
	CBCM36	3VL9000-8LH21
	CBCP54	3VL9000-8LH31

For Use With Frame CG, DG, FG, JG, LG, MG
 Para Usar Con Caja Base CG, DG, FG, JG, LG, MG

Installation Instructions / Instructivo de Instalación

	 Danger	 Peligro	 Danger!
	Hazardous Voltage Will cause death or serious injury	Tensión peligrosa. Puede causar la muerte o lesiones graves.	Tension dangereuse. Danger of mort ou risque de blessures graves.
	Turn off and lock out all power supplying this device before working on this device. Replace all covers before power supplying this device is turned on.	Desenergice totalmente antes de instalar o darle servicio. Reemplace todas las barreras y cubiertas antes de energizar el interruptor.	Couper l'alimentation de l'appareil et barrer avant de travailler. Remplacez tous les couverts avant que l'alimentation de pouvoir soit alimenté.

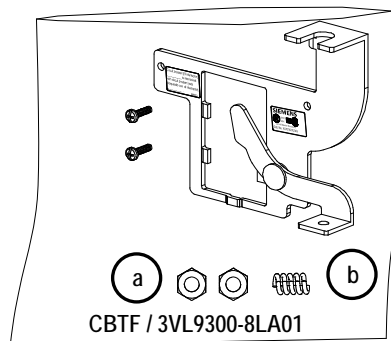
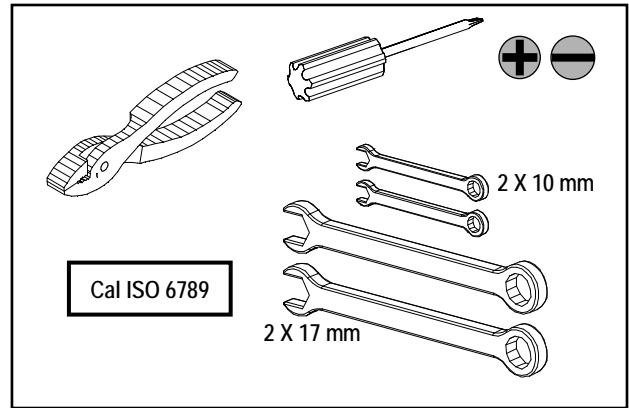
Use only with Siemens certified Components.
 Utilizar únicamente con componentes certificados de Siemens.
 A utiliser uniquement avec les composants certifiés Siemens.

NOTE - These instructions do not purport to cover all details or variations in equipment, or to provide for every possible contingency to be met in connection with installation, operation or maintenance.

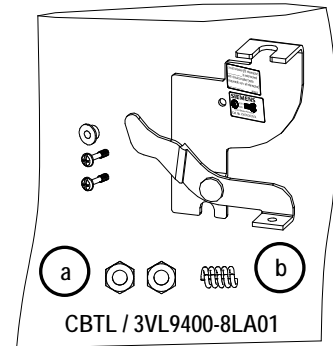
Should further information be desired or should particular problems arise, which are not covered sufficiently for the purchaser's purposes, the matter should be referred to the local Siemens sales office. The contents of this instruction manual shall not become part of or modify any prior or existing agreement, commitment or relationship. The sales contract contains the entire obligation of Siemens. The warranty contained in the contract between the parties is the sole warranty of Siemens. Any statements contained herein do not create new warranties or modify the existing warranty.

Trademarks - Unless otherwise noted, all names identified by ® are registered trademarks of Siemens AG or Siemens Industry, Inc.

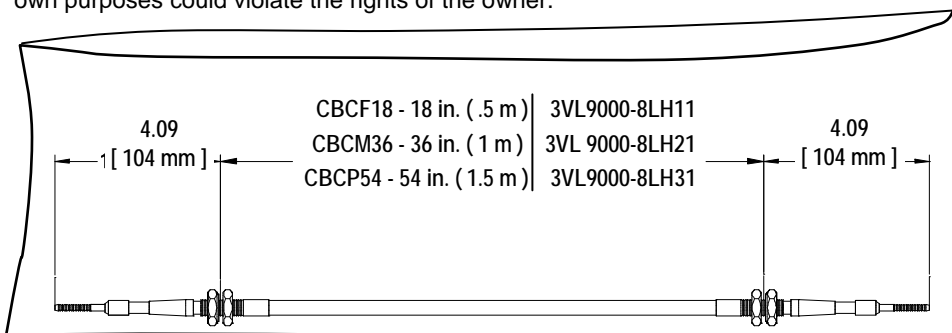
The remaining trademarks in this publication may be trademarks whose use by third parties for their own purposes could violate the rights of the owner.



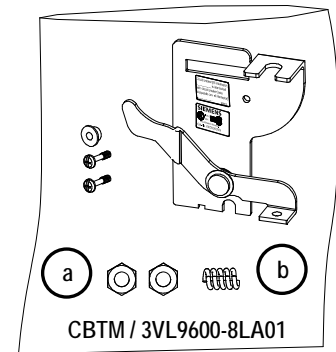
CG, DG, FG Frame
 [CG, DG, FG Caja Base]



JG, LG Frame
 [JG, LG Caja Base]



CG, DG, FG, JG, LG, MG Frame
 [CG, DG, FG, JG, LG, MG Caja Base]

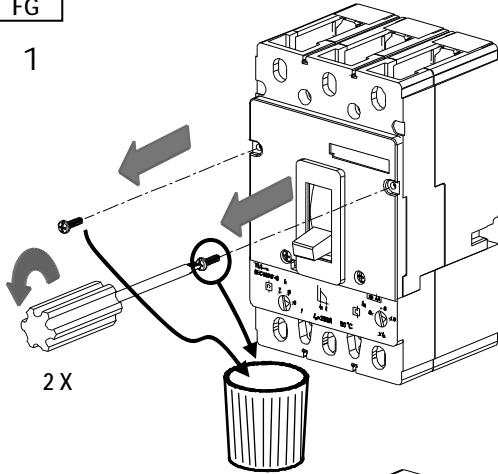


MG Frame
 [MG Caja Base]



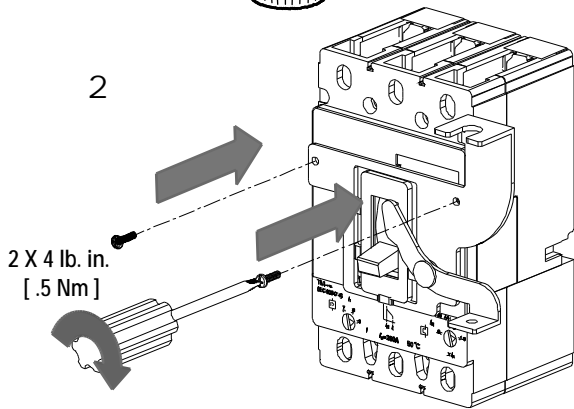
CG
DG
FG

1



2X

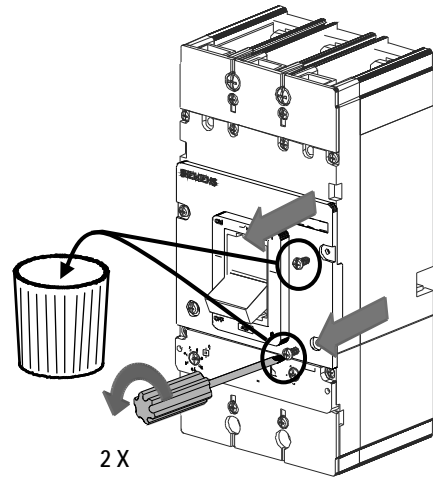
2



2 X 4 lb. in.
[.5 Nm]

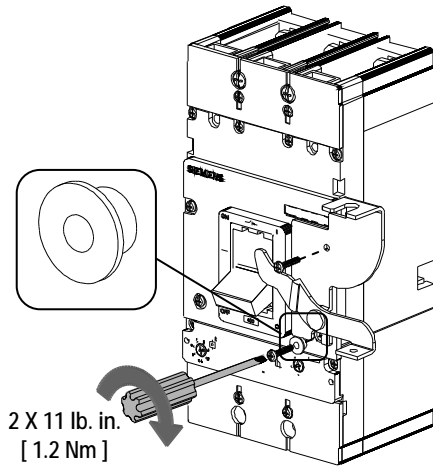
JG
LG
MG

1



2X

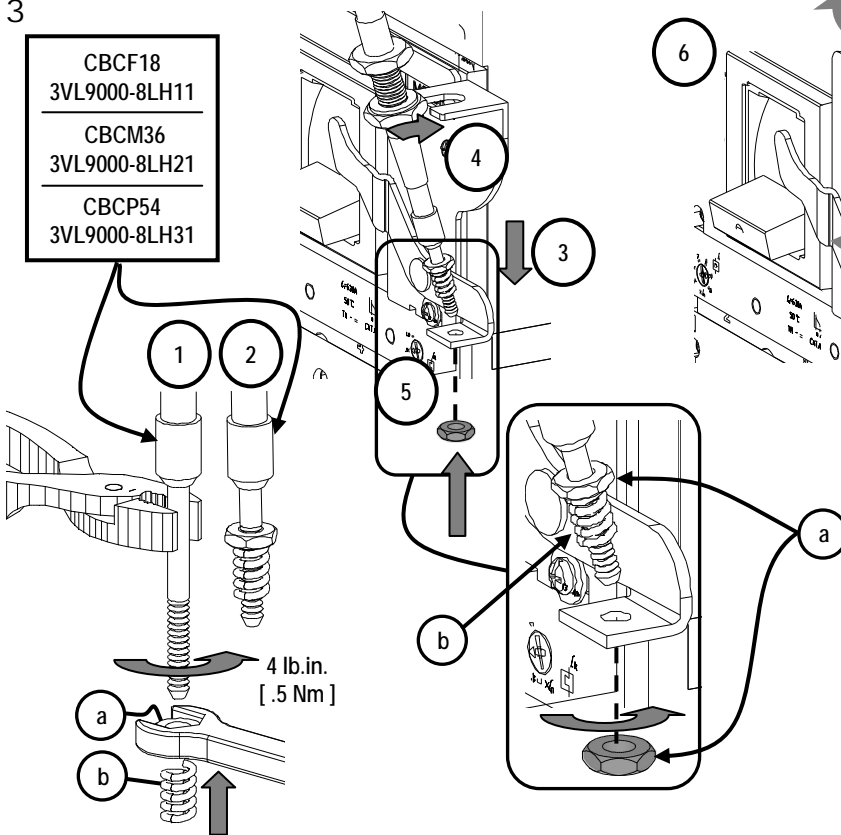
2



2 X 11 lb. in.
[1.2 Nm]

3

CBCF18
3VL9000-8LH11
CBCM36
3VL9000-8LH21
CBCP54
3VL9000-8LH31



	"A"
	Inch [mm]
CBTF 3VL9300-8LA01 CG, DG, FG	.24" [6 mm]
CBTL 3VL9400-8LA01 JG, LG	.0" [0 mm]
CBTM 3VL9600-8LA01 MG	.16" [4 mm]



⚠ Danger

Hazardous Voltage
Will cause death or serious injury
 Turn off and lock out all power supplying this device before working on this device.
 Replace all covers before power supplying this device is turned on.



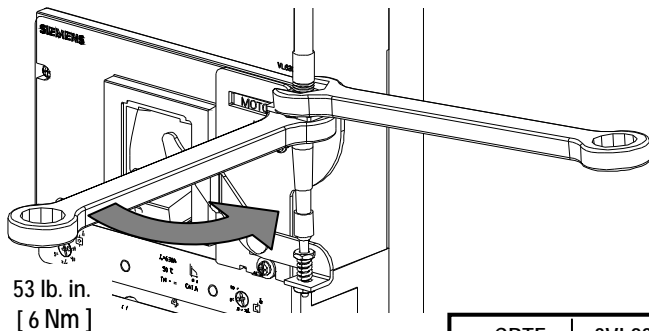
⚠ Peligro

Tensión peligrosa.
Puede causar la muerte o lesiones graves.
 Desenergice totalmente antes de instalar o darle servicio.
 Reemplace todas las barreras y cubiertas antes de energizar el interruptor.

⚠ Danger!

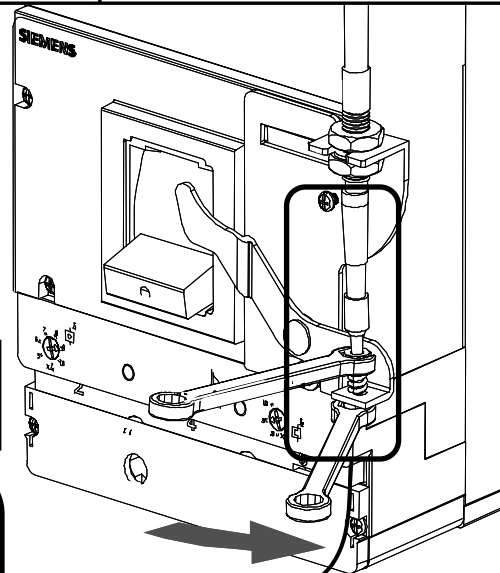
Tension dangereuse.
Danger de mort ou risque de blessures graves.
 Couper l'alimentation de l'appareil et barrer avant de travailler.
 Remplacez tous les couverts avant que l'alprovisionnement de pouvoir soit alimenté.

4



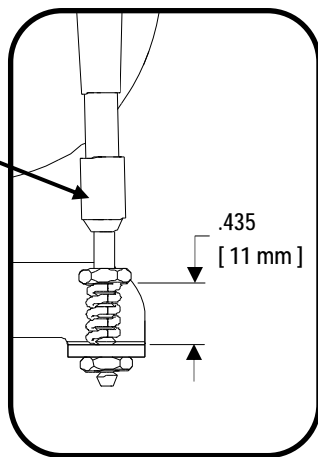
53 lb. in.
 [6 Nm]

5

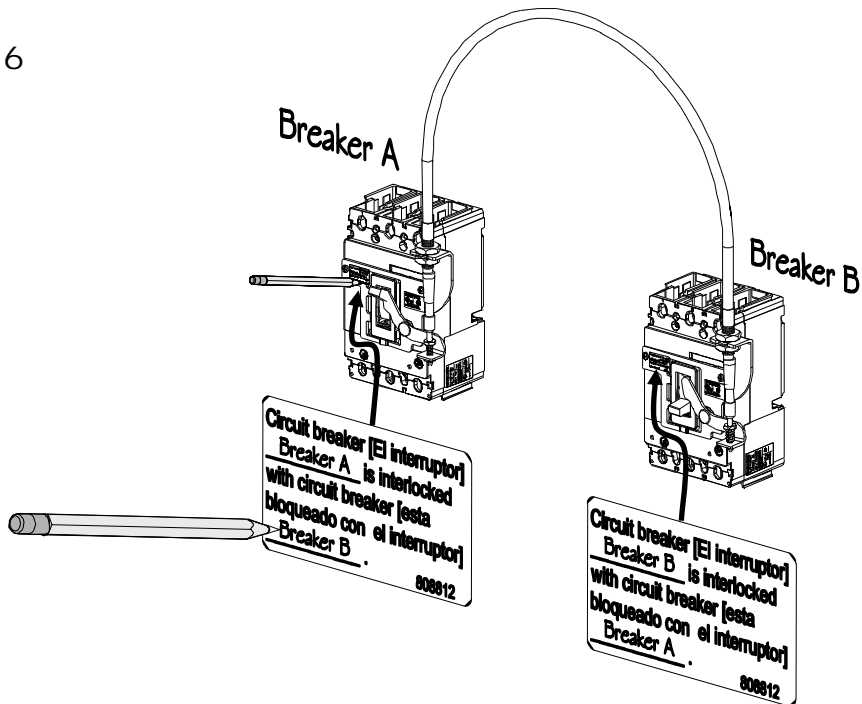


CBTF	3VL9300-8LA01
CBTL	3VL9400-8LA01
CBTM	3VL9600-8LA01


CBCF18	3VL9000-8LH11
CBCM36	3VL9000-8LH21
CBCP54	3VL9000-8LH31

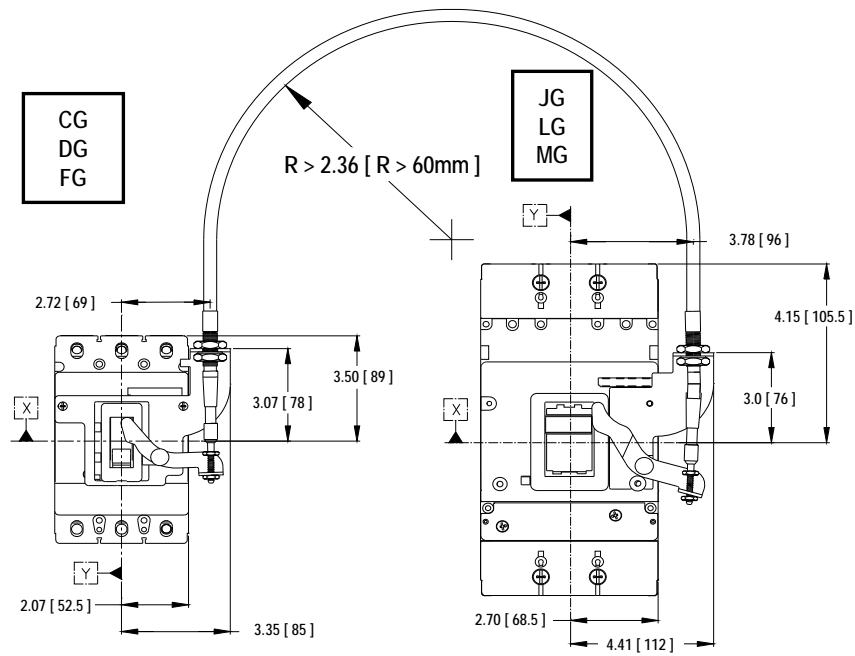
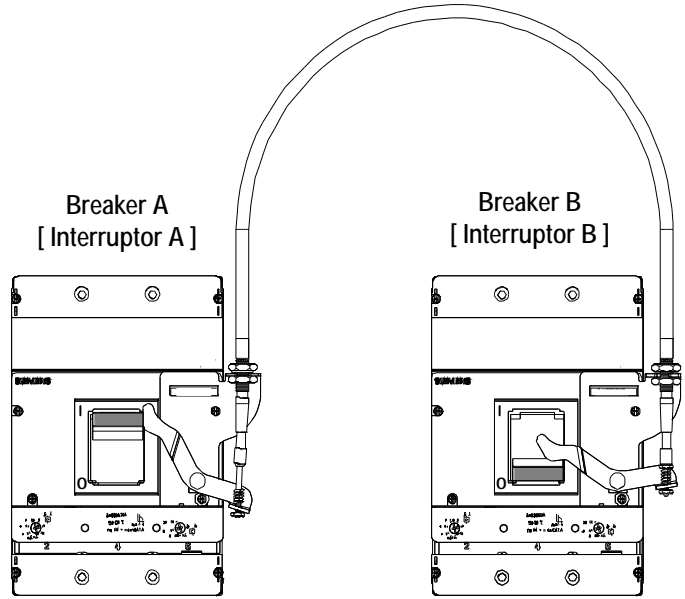


6



Test:
[Prueba:]

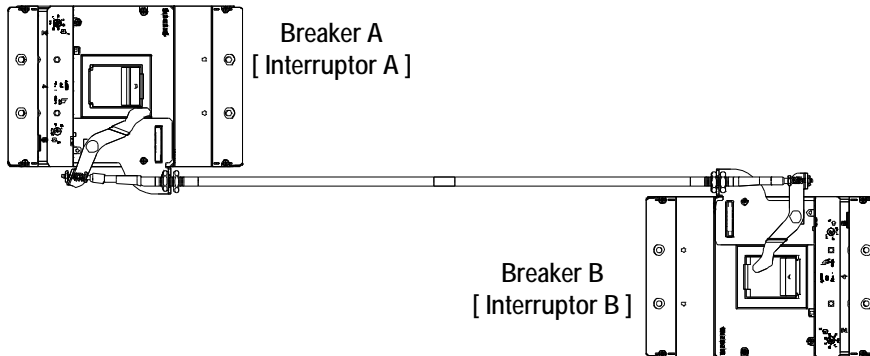
Breaker A [Interruptor A]	Breaker B [Interruptor B]	
ON / I	OFF / O	OK
OFF / O	ON / I	OK
OFF / O	OFF / O	OK
ON / I	ON / I	



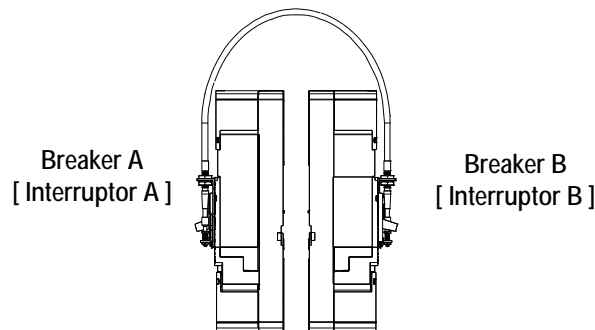
		Breaker B [Interruptor B]		
		CBTF 3VL9300-8LA01 CG, DG, FG	CBTL 3VL9400-8LA01 JG, LG	CBTM 3VL9600-8LA01 MG
Breaker A [Interruptor A]	CBTF 3VL9300-8LA01 CG, DG, FG	OK	OK	OK
	CBTL 3VL9400-8LA01 JG, LG	OK	OK	OK
	CBTM 3VL9600-8LA01 MG	OK	OK	OK


	⚠ Danger	⚠ Peligro	⚠ Danger!
	Hazardous Voltage Will cause death or serious injury Turn off and lock out all power supplying this device before working on this device. Replace all covers before power supplying this device is turned on.	Tensión peligrosa. Puede causar la muerte o lesiones graves. Desenergice totalmente antes de instalar o darle servicio. Reemplace todas las barreras y cubiertas antes de energizar el interruptor.	Tension dangereuse. Danger de mort ou risque de blessures graves. Couper l'alimentation de l'appareil et barrer avant de travailler. Remplacez tous les couverts avant que l'alimentation de pouvoir soit alimenté.

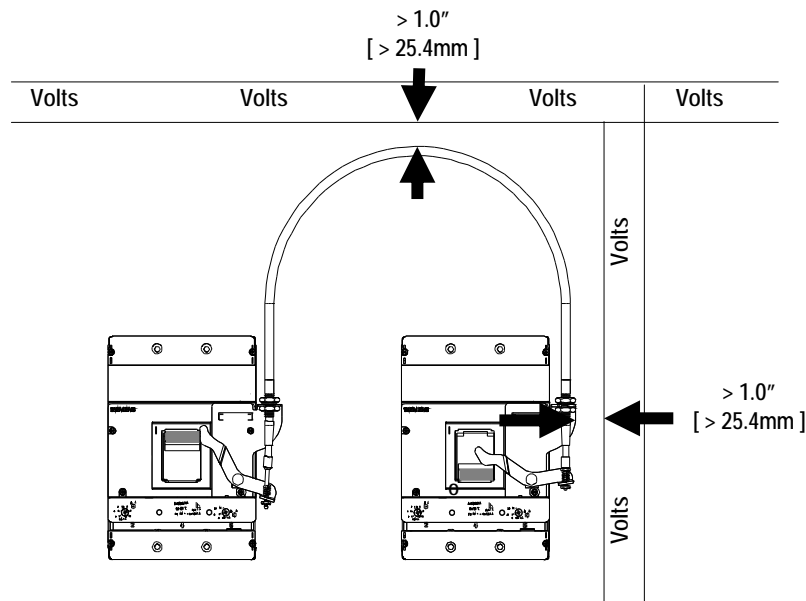
Option: 1
[Opción: 1]



Option: 2
[Opción: 2]



	⚠ WARNING	⚠ ADVERTENCIA	⚠ AVERTISSEMENT
	Hazardous Voltage. Can cause death or serious injury and Equipment Damage. Proper electrical clearances must be maintained	Tensión Peligrosa. Puede causar la muerte o lesiones graves y daños al equipo. Las separaciones eléctricas adecuadas deben ser mantenidas.	Tension dangereuse. Peut provoquer des blessures graves ou mortelles ou causer des dommages à l'équipement. Les dégagements électriques appropriés doivent être maintenus.



For Support in Europe refer to :

Bestell-Nr. / Order No.: 3ZX1012-0VL68-7AA6

Internet: www.siemens.de/lowvoltage/technical-assistance

GWA 4NEB 179 6897-10 DS 03

Technical Support:

Toll Free: 1-800-241-4453

Internet: www.usa.siemens.com/powerdistribution