

SIEMENS

Undervoltage Release
Bobina de mínima tensión
Déclencheur à manque de tension

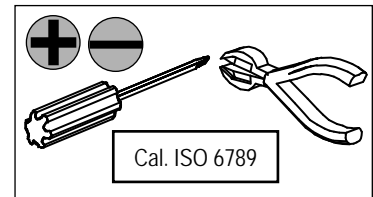
U.S. Cat. No.	Euro Order No.	U.S. Cat. No.	Euro Order No.
Item: UVRLA12DC	3VL9400-1UN01	UVRL24	3VL9400-1UD01
UVRLB24DC	3VL9400-1UP01	UVRLN120	3VL9400-1UG01
UVRLC48DC	3VL9400-1UU01	UVRLR240	3VL9400-1UH01
UVRLG60DC	3VL9400-1UV01	UVRLP208	3VL9400-1UM01
UVRLD125DC	3VL9400-1UR01	UVRLS277	3VL9400-1UQ01
UVRLE250DC	3VL9400-1US01	UVRLT415	3VL9400-1UJ01
		UVRLU480	3VL9400-1UK01
		UVRLW525	3VL9400-1UL01
		UVRLV600	3VL9400-1UT01

For Use With Frame CG, DG, FG, JG, LG
Para Usar Con Caja Base CG, DG, FG, JG, LG

Installation Instructions / Instructivo de Instalación

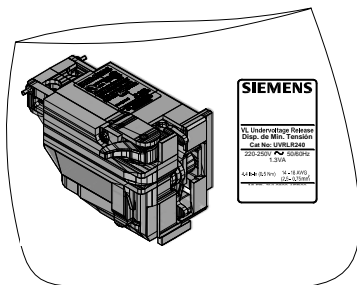
	 Danger	 Peligro	 Danger
	Hazardous Voltage. Will cause death or serious injury. Turn off and lock out all power supplying this device before working on this device. Replace all covers before power supplying this device is turned on.	Tensión peligrosa. Puede causar la muerte o lesiones graves. Desenergice totalmente antes de instalar o darle servicio. Vuelva a colocar todas las cubiertas antes de energizar el interruptor.	Tension dangereuse. Danger de mort ou risque de blessures graves. Couper l'alimentation de l'appareil et le verrouiller avant de le mettre en service. Enlever tous les recouvrements avant de mettre sous tension l'appareil.

Use only with Siemens certified Components.
Utilizar únicamente con componentes certificados de Siemens.
A utiliser uniquement avec les composants certifiés Siemens.



NOTE - These instructions do not purport to cover all details or variations in equipment, or to provide for every possible contingency to be met in connection with installation, operation or maintenance. Should further information be desired or should particular problems arise, which are not covered sufficiently for the purchaser's purposes, the matter should be referred to the local Siemens sales office. The contents of this instruction manual shall not become part of or modify any prior or existing agreement, commitment or relationship. The sales contract contains the entire obligation of Siemens. The warranty contained in the contract between the parties is the sole warranty of Siemens. Any statements contained herein do not create new warranties or modify the existing warranty.

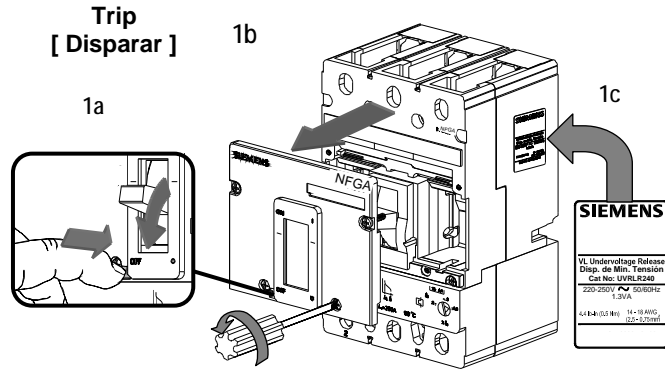
Trademarks - Unless otherwise noted, all names identified by ® are registered trademarks of Siemens AG or Siemens Industry, Inc. The remaining trademarks in this publication may be trademarks whose use by third parties for their own purposes could violate the rights of the owner.



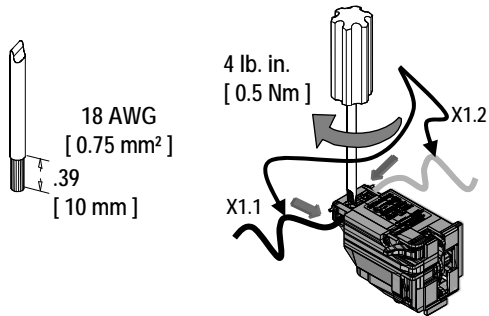
UVRLA12DC	3VL9400-1UN01 = 12V	} V _{DC}
UVRLB24DC	3VL9400-1UP01 = 24V	
UVRLC48DC	3VL9400-1UU01 = 48V	
UVRLG60DC	3VL9400-1UV01 = 60V	
UVRLD125DC	3VL9400-1UR01 = 110-127V	
UVRLE250DC	3VL9400-1US01 = 220-250V	
UVRL24	3VL9400-1UD01 = 24 V	} V _~ 50 / 60 HZ
UVRLN120	3VL9400-1UG01 = 110-127V	
UVRLR240	3VL9400-1UH01 = 220-250V	
UVRLP208	3VL9400-1UM01 = 208V	
UVRLS277	3VL9400-1UQ01 = 277V	
UVRLT415	3VL9400-1UJ01 = 380-415V	
UVRLU480	3VL9400-1UK01 = 440-480V	
UVRLW525	3VL9400-1UL01 = 500-525V	
UVRLV600	3VL9400-1UT01 = 600V	



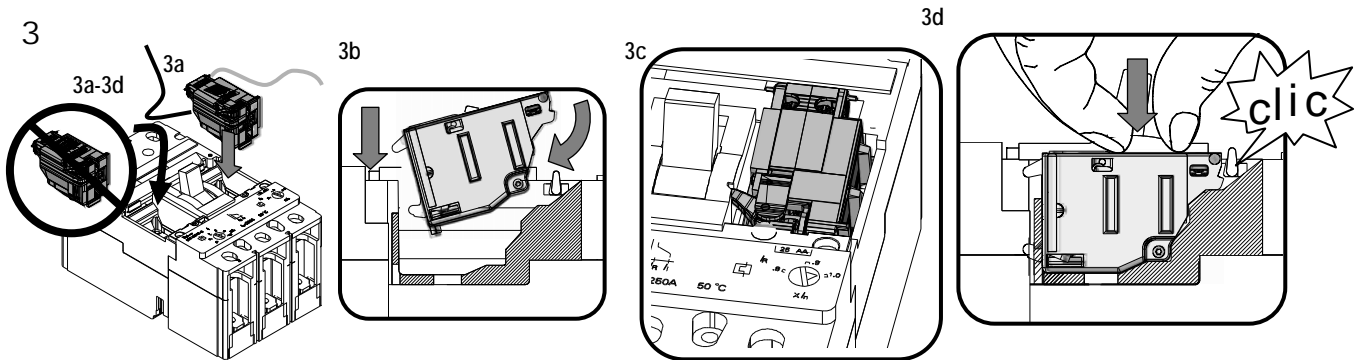
1



2

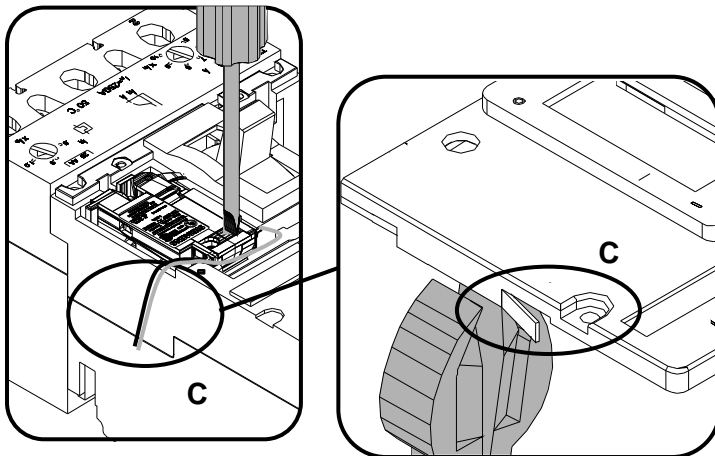


3

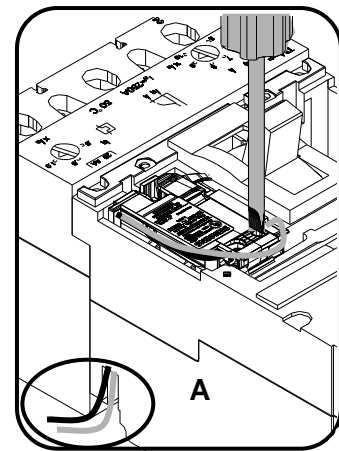


4

Option A
[Opción A] 4 lb. in.
[0.5 Nm]



Option B
[Opción B] 4 lb. in.
[0.5 Nm]





⚠ Danger

Hazardous Voltage.
Will cause death or serious injury.



Turn off and lock out all power supplying this device before working on this device.
Replace all covers before power supplying this device is turned on.

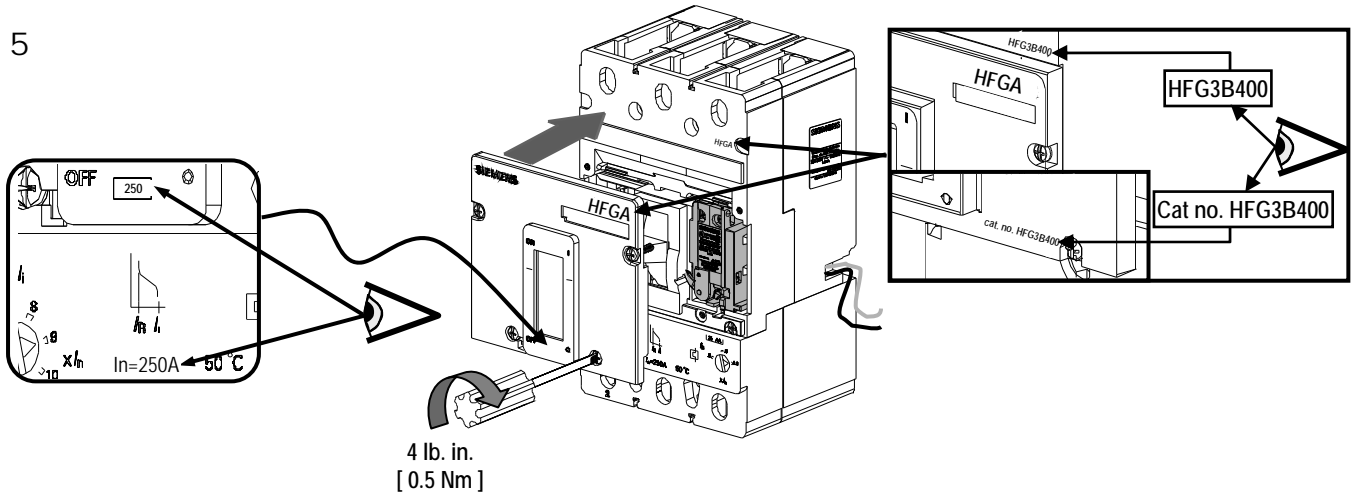
⚠ Peligro

Tensión peligrosa.
Puede causar la muerte o lesiones graves.
Desenergice totalmente antes de instalar o darle servicio.
Vuelva a colocar todas las cubiertas antes de energizar el interruptor.

⚠ Danger

Tension dangereuse.
Danger de mort ou risque de blessures graves.
Couper l'alimentation de l'appareil et le verrouiller avant de le mettre en service.
Enlever tous les recouvrements avant de mettre sous tension l'appareil.

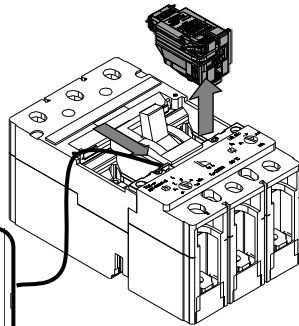
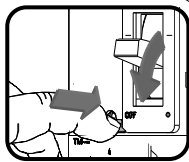
5



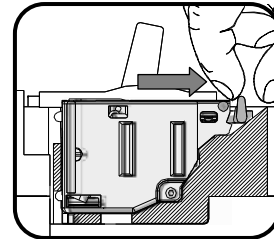
Removal [Remover]

1

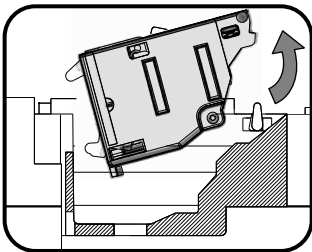
Trip
[Disparar]



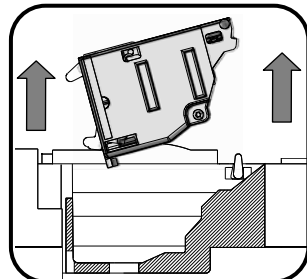
2



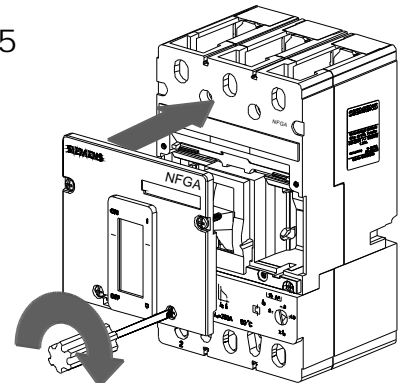
3



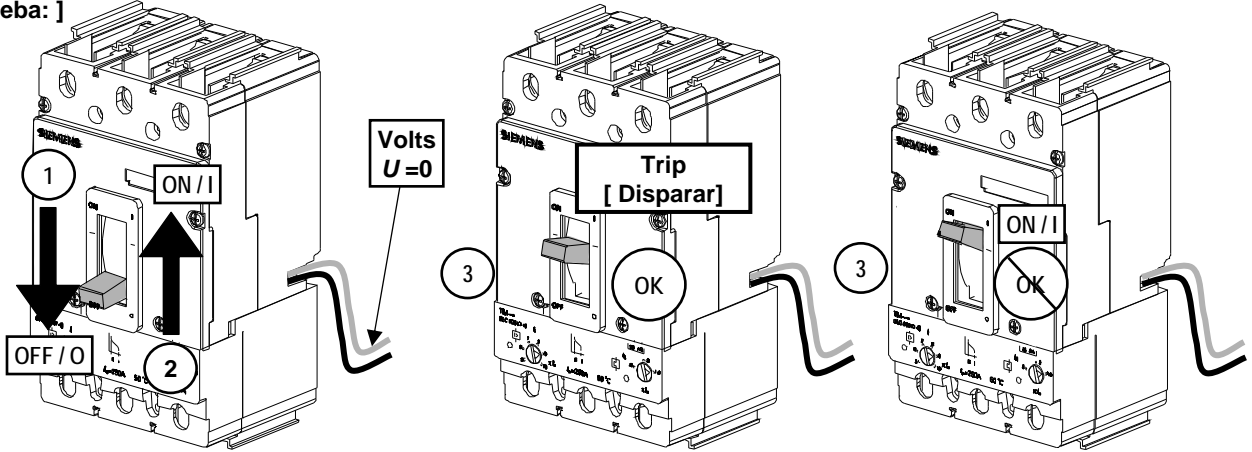
4



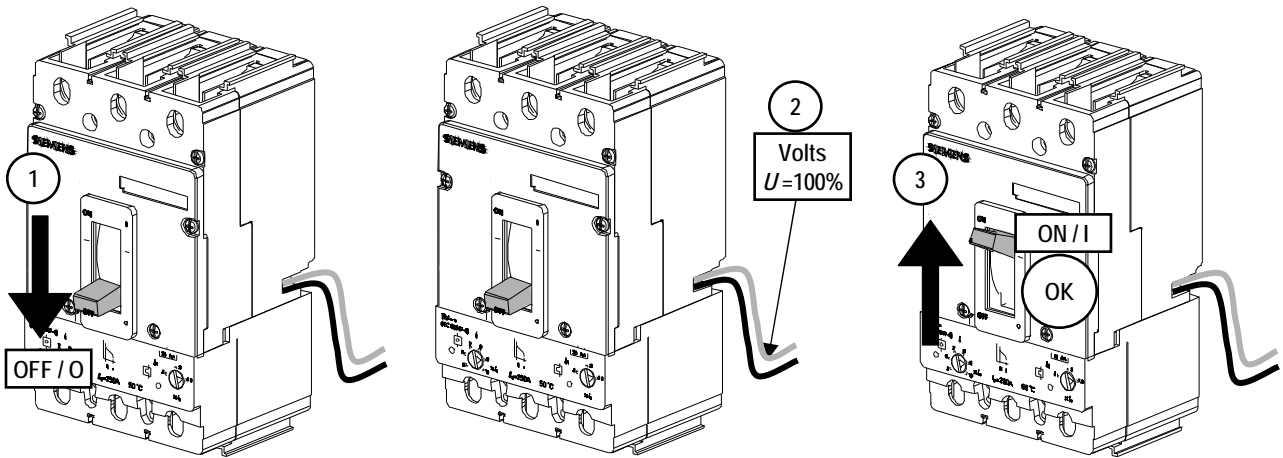
5



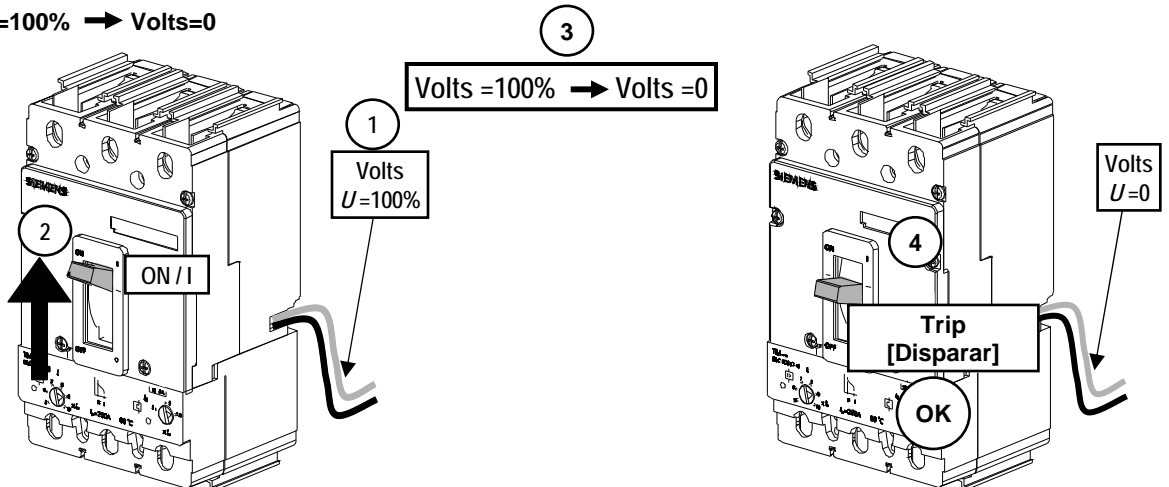
1 Test: Volts=0
[Prueba:]



2 Test: Volts=100%
[Prueba:]



3 Test: Volts =100% → Volts=0
[Prueba:]



For Support in Europe refer to :

Bestell-Nr. / Order No.: 3ZX1012-0VL68-1AA4

Internet: www.siemens.de/lowvoltage/technical-assistance

GWA 4NEB 179 6823-30 DS 03

Technical Support:

Toll Free: 1-800-241-4453

Internet: www.usa.siemens.com/powerdistribution

Subject to change without prior notice
Siemens Industry, Inc., Norcross, GA 30092 U.S.A.