

Shunt Trip


Bobina de Apertura

Déclencheur à émission de tension

U.S. Cat. No.	Euro Order No.	U.S. Cat. No.	Euro Order No.
Item: STRLB24DC	3VL9400-1SC01	STRLM60	3VL9400-1SM01
STRLC60DC	3VL9400-1SJ01	STRLN120	3VL9400-1SR01
STRLD125DC	3VL9400-1SK01	STRLS277	3VL9400-1ST01
STRLE250DC	3VL9400-1SQ01	STRLV600	3VL9400-1SV01

For Use With Frame CG, DG, FG, JG, LG
Para Usar Con Caja Base CG, DG, FG, JG, LG

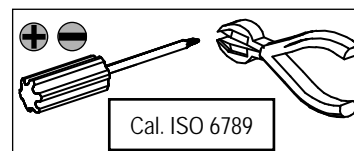
Installation Instructions / Instructivo de Instalación

	Danger	Peligro	Danger!
	Hazardous Voltage Will cause death or serious injury Turn off and lock out all power supplying this device before working on this device. Replace all covers before power supplying this device is turned on.	Tensión peligrosa. Puede causar la muerte o lesiones graves. Desenergice totalmente antes de instalar o darle servicio. Reemplace todas las barreras y cubiertas antes de energizar el interruptor.	Tension dangereuse. Danger de mort ou risque de blessures graves. Couper l'alimentation de l'appareil et barrer avant de travailler. Remplacez tous les couverts avant que l'alimentation de pouvoir soit alimenté.

Use only with Siemens certified Components.

Utilizar únicamente con componentes certificados de Siemens.

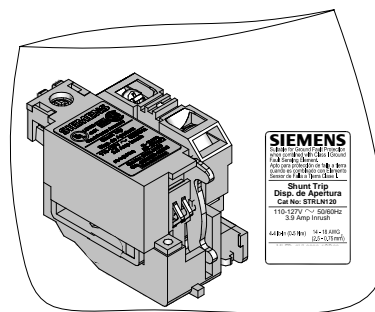
A utiliser uniquement avec les composants certifiés Siemens.



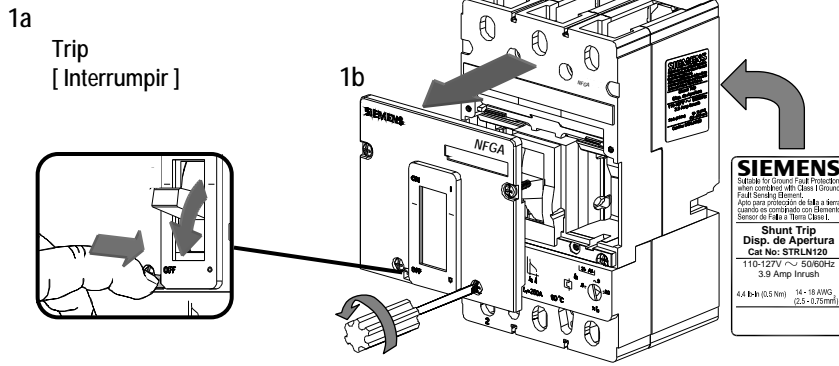
NOTE - These instructions do not purport to cover all details or variations in equipment, or to provide for every possible contingency to be met in connection with installation, operation or maintenance. Should further information be desired or should particular problems arise, which are not covered sufficiently for the purchaser's purposes, the matter should be referred to the local Siemens sales office. The contents of this instruction manual shall not become part of or modify any prior or existing agreement, commitment or relationship. The sales contract contains the entire obligation of Siemens. The warranty contained in the contract between the parties is the sole warranty of Siemens. Any statements contained herein do not create new warranties or modify the existing warranty.

Trademarks - Unless otherwise noted, all names identified by ® are registered trademarks of Siemens AG or Siemens Industry, Inc. The remaining trademarks in this publication may be trademarks whose use by third parties for their own purposes could violate the rights of the owner.

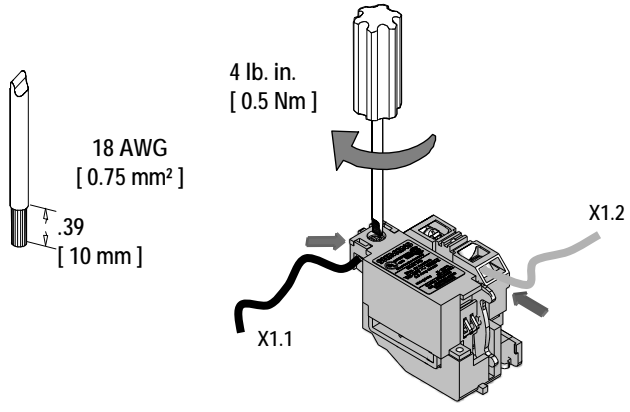
STRLB24DC	3VL9400-1SC01 = 24V	} V ---
STRLC60DC	3VL9400-1SJ01 = 48-60V	
STRLD125DC	3VL9400-1SK01 = 110-127V	
STRLE250DC	3VL9400-1SQ01 = 220-250V	
STRLM60	3VL9400-1SM01 = 48-60V	} V - 50 / 60 HZ
STRLN120	3VL9400-1SR01 = 110-127V	
STRLS277	3VL9400-1ST01 = 208-277V	
STRLV600	3VL9400-1SV01 = 380-600V	



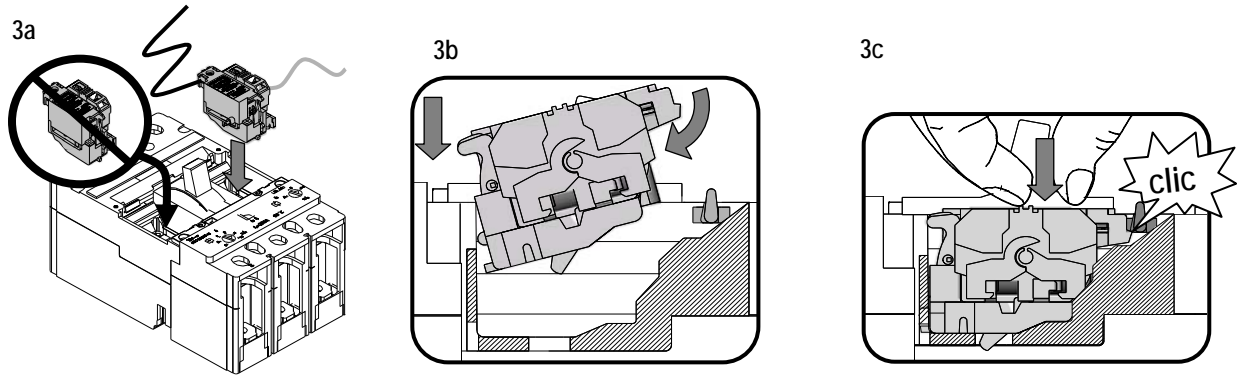
1



2

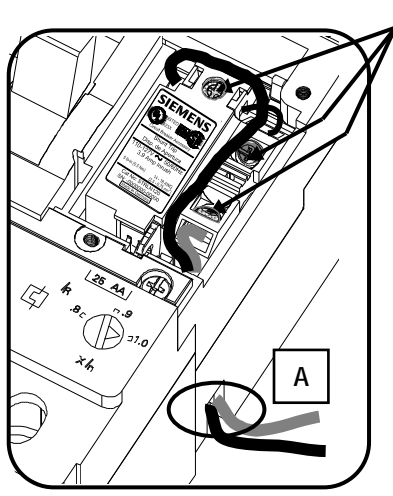


3

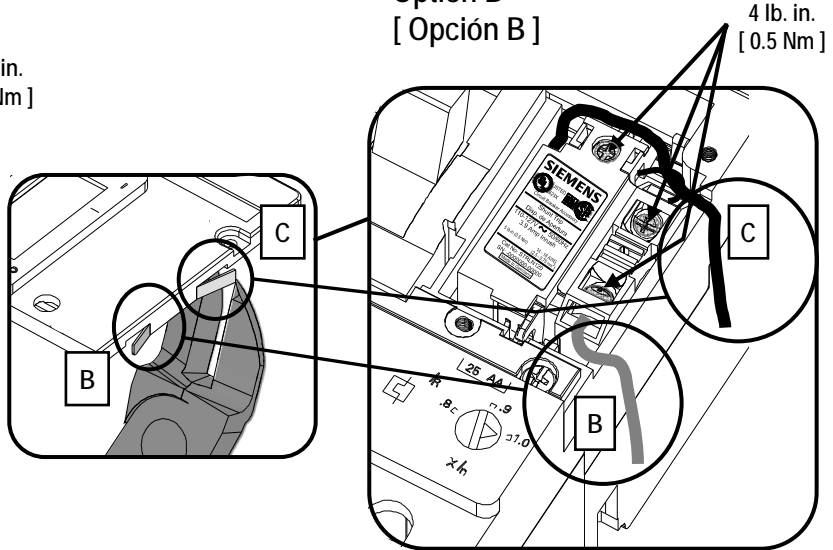


4

Option A
[Opción A]



Option B
[Opción B]





Danger

Hazardous Voltage.
Will cause death or serious injury.

Turn off and lock out all power supplying this device before working on this device.
Replace all covers before power supplying this device is turned on.

Peligro

Tensión peligrosa.
Puede causar la muerte o lesiones graves.

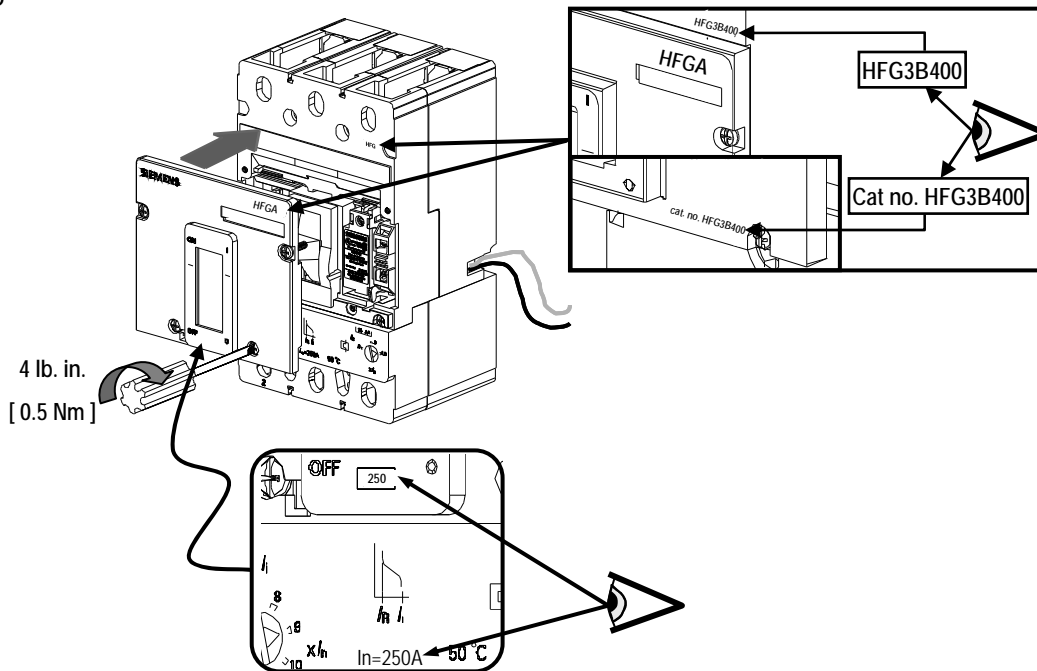
Desenergice totalmente antes de instalar o darle servicio.
Reemplace todas las barreras y cubiertas antes de energizar el interruptor.

Danger

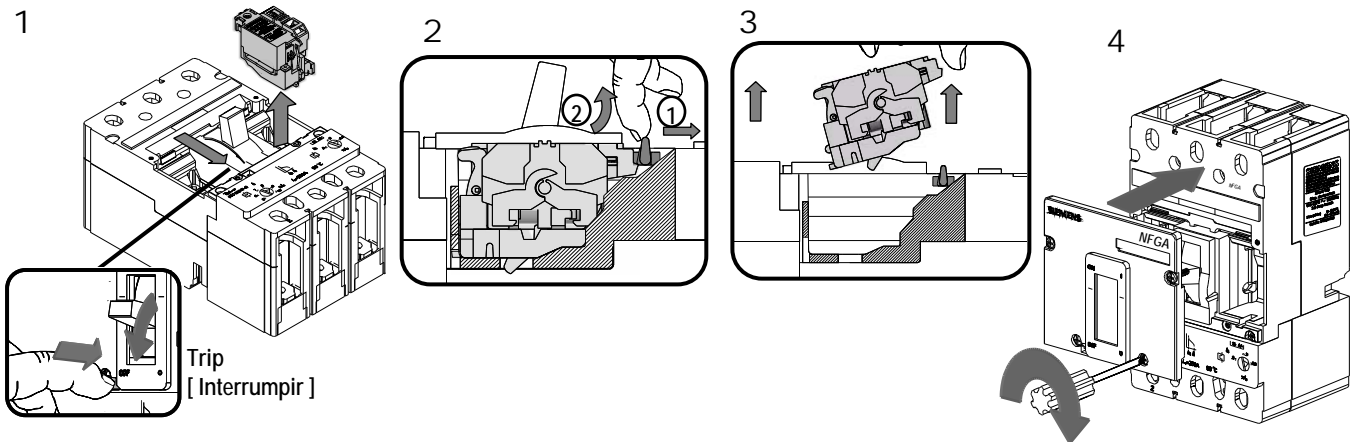
Tension dangereuse.
Danger de mort ou risque de blessures graves.

Couper l'alimentation de l'appareil et barrer avant de travailler.
Remplacez tous les couverts avant que l'alimentation de pouvoir soit alimenté.

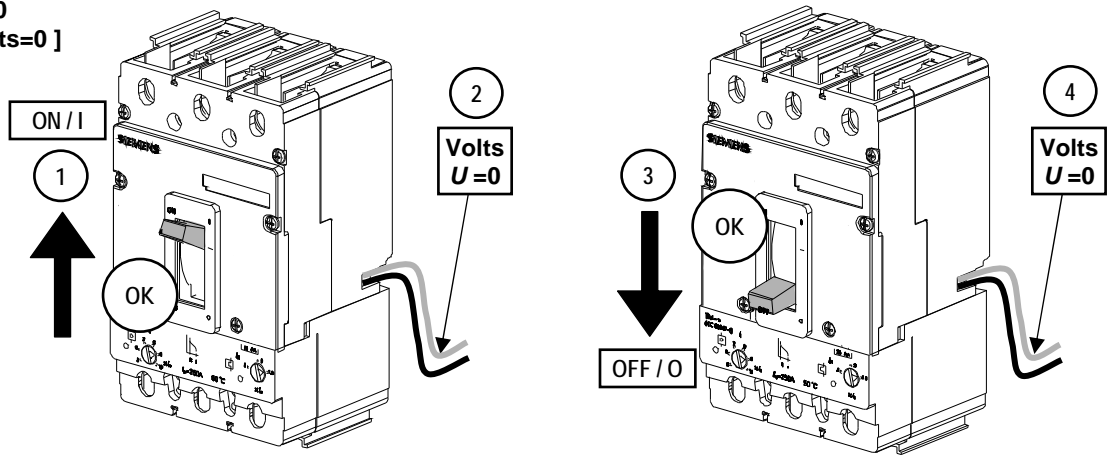
5



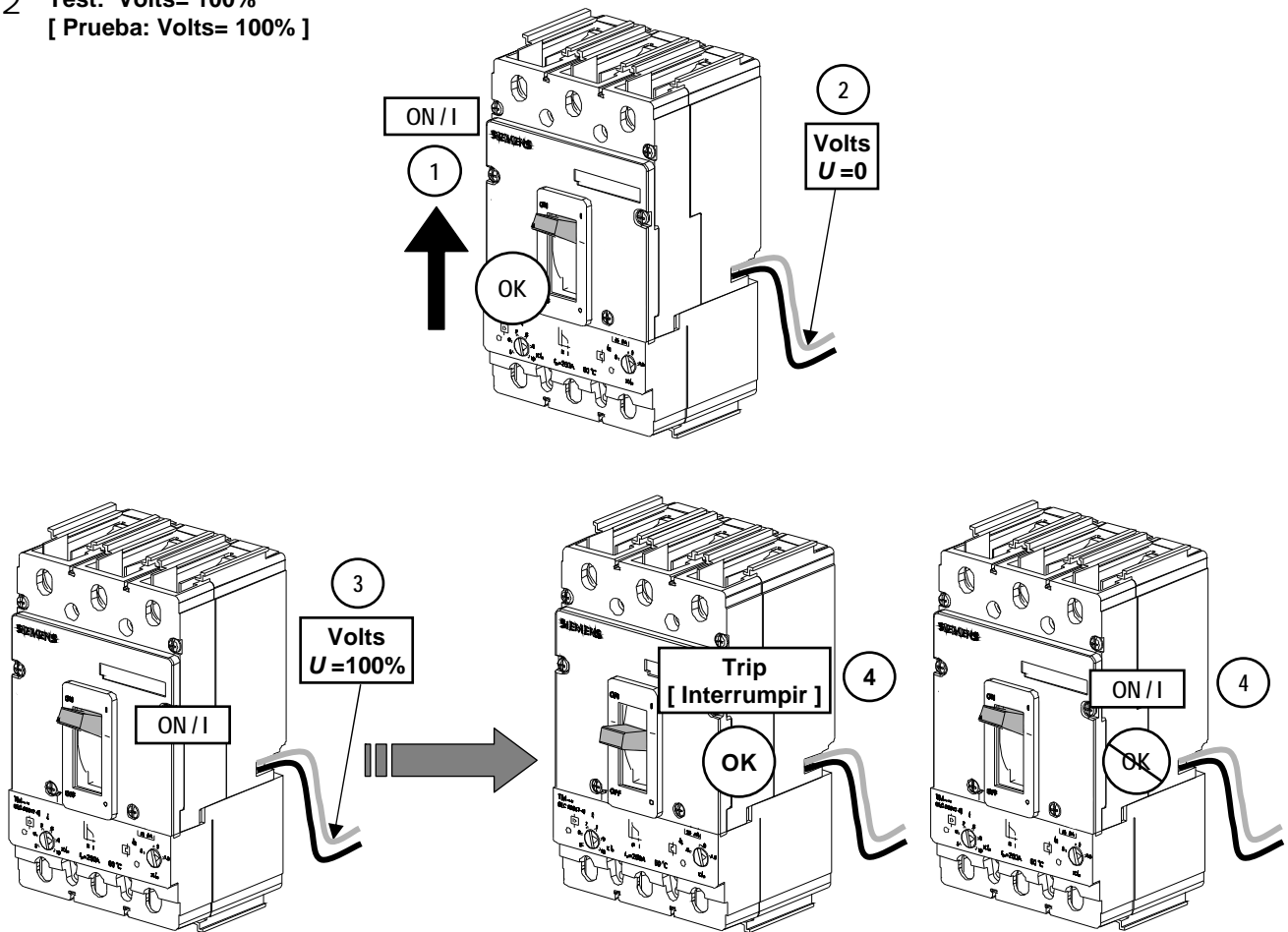
Removal [Remover]



1 Test: Volts=0
[Prueba: Volts=0]



2 Test: Volts= 100%
[Prueba: Volts= 100%]



For Support in Europe refer to :

Bestell-Nr. / Order No.: 3ZX1012-0VL68-1AA2

Internet: www.siemens.de/lowvoltage/technical-assistance

GWA 4NEB 179 6821-10 DS 03

Technical Support:

Toll Free: 1-800-241-4453

Internet: www.usa.siemens.com/powerdistribution

Subject to change without prior notice
Siemens Industry, Inc. , Norcross, GA 30092 U.S.A.

© Siemens Industry Inc. 2010