

# SIEMENS

## Indoor/Outdoor Service Entrance Module

Catalog Number

- WEB3600B**  
 **WEB3600BU**

Enclosure

**Type 3R**

### Module Rating:

600 Amps, Max; See breaker for actual rating.  
 208Y/120 Volts~, 60 HZ, 3 Phase, 4 Wire  
 240/120 Volts~, 60 HZ, 3 Phase, 4 Wire, Delta (B Phase is High Leg)  
 240 Volts~, 60 HZ, 3 Phase, 3 Wire

For installation by Qualified Person in accordance with all local electrical codes and/or the National Electrical Code ©.

Meets EUSERC specifications.

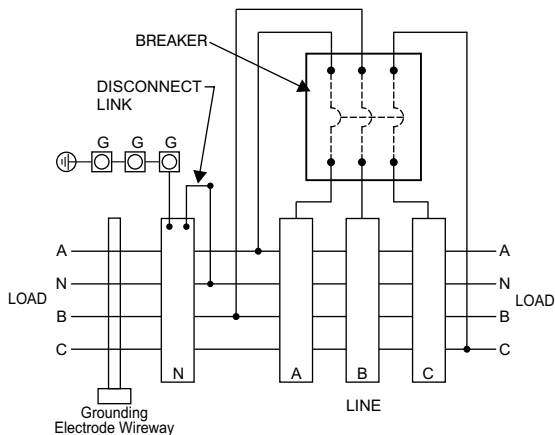
### Suitable Only For Use As Service Equipment.

For Underground Service Only.

### Use 75°C Copper or Aluminum Conductors.

#### Connect Modules Using:

	Cat. No.	Torque
Single Bolt Joint	SBJ4	400-480 lb-in (35-40 ft.-lb.)
Quick Connect	QC4	400-440 lb-in (35-36 ft.-lb.)



See adjacent labels for additional marking information.

49311217

Siemens Industry, Inc. Norcross, Georgia U.S.A.

**D**

4090007010101 Rev.B

© The National Electrical Code is a registered trademark of the National Fire Protection Association.  
 © 2009 Copyright Siemens Industry, Inc.

# SIEMENS

Circuit breaker trip position is indicated by handle position midway between ON and OFF. To reset, move handle to OFF position, then turn ON.

### Short Circuit Current Rating

This device has a maximum short circuit current rating of 100,000 amps RMS symmetrical at 120/240 Volts ~. The actual short circuit current rating is limited to the interrupting capacity of the circuit breaker installed. Replacement breakers must be manufactured by Siemens and must be of the correct type and rating as indicated in the table below. Use of other circuit breakers in this device will void the warranty.

Breaker Type	Rating
LXD6	65k AIC
HLXD6	100k AIC

USE ONLY NON-INTERCHANGEABLE  
TRIP BREAKER TYPES

### Lugs for Phase and Neutral Connections (not supplied)

NEMA Lug <sup>①</sup>	MFG	Wire Range	Type	No. Wires per phase	Torque (lb.-in.)
LK32750N2	Siemens	300-750 kcmil	Mechanical	2	500
LK32500N2E	Siemens	#2-500 kcmil	Mechanical	2	375
2ACL-500	ILSCO	500 kcmil	Compression	2	NA <sup>②</sup>
2ACL-750	ILSCO	750 kcmil	Compression	2	NA <sup>②</sup>

- ① Order one mechanical lug kit for main breaker and neutral conversions. Contact lug manufacturer for compression lug quantities supplied for each kit.
- ② See lug manufacturer's instruction sheet supplied with the connector for tool, die, and number of crimps.

Ground terminal G: Wire size #4-300 kcmil Torque terminal to 250 lb.-in.

### IMPORTANT - for use with:

Module	Siemens Series#	Murray Series#
Main Breakers . . . . .	(W)MC, WB, WEB . . . . .	DB_W
Switches . . . . .	WMP, WMS, WS, WES . . . . .	DPT_W, DT_W
Tap/Terminal Boxes . . . . .	WMTB, WTB, WET . . . . .	DTB_W
Meter Module . . . . .	WMM, WxMM, WMT, WML, WMK . . . . .	DG_W, DC_W, DL_W
Extension Box . . . . .	WMEX, WSP . . . . .	DS
Bussed Elbow . . . . .	(W)BE . . . . .	DL

**Important:** Do not allow petroleum based (hydrocarbon) sprays, chemicals, solvents or any paint to contact interior components. Petroleum based chemicals can cause degradation of electrical insulating materials.

Siemens Industry, Inc. Norcross, Georgia U.S.A.

**D**

4090007010201 Rev.B

© 2009 Copyright Siemens Industry, Inc.