

SIEMENS

Indoor/Outdoor Service Entrance Module

Catalog Number

- WEB1500B**
 WEB1500BU

Enclosure

Type 3R

Module Rating:

500 Amps, Max; See breaker for actual rating.
 120/240 Volts~, 60 HZ, 1 Phase, 3 Wire
 208Y/120 Volts~, 60 HZ, 1 Phase, 3 Wire (from 3 Phase, 4 Wire network)

For installation by Qualified Person in accordance with all local electrical codes and/or the National Electrical Code ©.

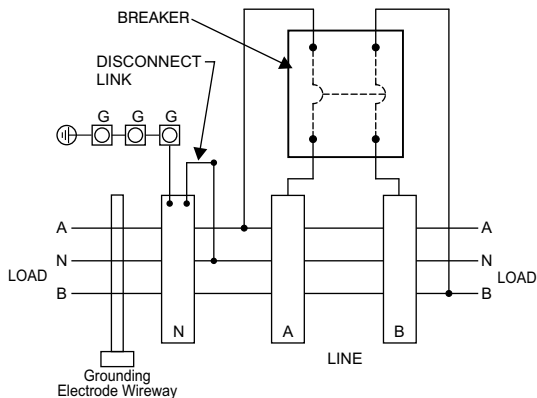
Meets EUSERC specifications.

Suitable Only For Use As Service Equipment.

For Underground Service Only.

Use 75°C Copper or Aluminum Conductors.

| Connect Modules Using: | Cat. No. | Torque |
|------------------------|----------|-------------------------------|
| Single Bolt Joint | SBJ1 | 400-480 lb-in (35-40 ft.-lb.) |
| Quick Connect | QC1 | 400-440 lb-in (35-36 ft.-lb.) |



See adjacent labels for additional marking information.

49311446

Siemens Industry, Inc. Norcross, Georgia U.S.A.

D

409001770101 Rev.B

© The National Electrical Code is a registered trademark of the National Fire Protection Association.
 © 2009 Copyright Siemens Industry, Inc.

SIEMENS

Circuit breaker trip position is indicated by handle position midway between ON and OFF. To reset, move handle to OFF position, then turn ON.

Short Circuit Current Rating

This device has a maximum short circuit current rating of 100,000 amps RMS symmetrical at 120/240 Volts ~. The actual short circuit current rating is limited to the interrupting capacity of the circuit breaker installed. Replacement breakers must be manufactured by Siemens and must be of the correct type and rating as indicated in the table below. Use of other circuit breakers in this device will void the warranty.

| Breaker Type | Rating |
|--------------|----------|
| LXD6 | 65k AIC |
| HLXD6 | 100k AIC |

USE ONLY NON-INTERCHANGEABLE TRIP BREAKER TYPES

Lugs for Phase and Neutral Connections (not supplied)

| NEMA Lug ^① | MFG | Wire Range | Type | No. Wires per phase | Torque (lb.-in.) |
|-----------------------|---------|---------------|-------------|---------------------|------------------|
| LK12750N2 | Siemens | 300-750 kcmil | Mechanical | 2 | 500 |
| LK12500N2E | Siemens | #2-500 kcmil | Mechanical | 2 | 375 |
| 2ACL-500 | ILSCO | 500 kcmil | Compression | 2 | NA ^② |
| 2ACL-750 | ILSCO | 750 kcmil | Compression | 2 | NA ^② |

- ① Order one mechanical lug kit for main breaker and neutral conversions. Contact lug manufacturer for compression lug quantities supplied for each kit.
- ② See lug manufacturer's instruction sheet supplied with the connector for tool, die, and number of crimps.

Ground terminal G: Wire size #4-300 kcmil Torque terminal to 250 lb.-in.

IMPORTANT - for use with:

| Module | Siemens Series# | Murray Series# |
|------------------------------|------------------------------------|------------------|
| Main Breakers | (W)MC, WB, WEB | DB_W |
| Switches | WMP, WMS, WS, WES | DPT_W, DT_W |
| Tap/Terminal Boxes | WMTB, WTB, WET | DTB_W |
| Meter Module | WMM, WxMM, WMT, WML, WMK | DG_W, DC_W, DL_W |
| Extension Box | WMEX, WSP | DS |
| Bussed Elbow | (W)BE | DL |

Important: Do not allow petroleum based (hydrocarbon) sprays, chemicals, solvents or any paint to contact interior components. Petroleum based chemicals can cause degradation of electrical insulating materials.

Siemens Industry, Inc. Norcross, Georgia U.S.A.

D

409001770201 Rev.B

© 2009 Copyright Siemens Industry, Inc.