

SIEMENS

Indoor/Outdoor Service Entrance Module

Catalog Number **WB3400C** Enclosure **Type 3R**
 WB3400CU

Module Rating:

400 Amps, Max; See main breaker for actual rating.
 208Y/120 Volts~, 3 Phase, 4 Wire
 240/120 Volts~, 3 Phase, 4 Wire, Delta (B Phase is High Leg)
 240 Volts~, 3 Phase, 3 Wire

For installation by Qualified Person in accordance with all local electrical codes and/or the National Electrical Code ®.

Suitable Only For Use As Service Equipment unless bond strap is removed and ground lug is relocated to back of enclosure. See schematic. Apply appropriate label provided next to breaker handle.

For overhead or underground service. When LLP600 is installed, installation is underground only.

Use 75°C Copper or Aluminum Conductors.

Terminals A, B, C and N: Wire size (2) 3/0-500 kcmil CU or (2) 4/0-500 kcmil AL. Torque terminals to 300 lb.in.

Ground terminal G: Wire size #4-250 kcmil. Torque terminal to 250 lb.-in.

Circuit breaker trip position is indicated by handle position midway between ON and OFF. To reset, move handle to OFF position, then turn ON.

Short Circuit Current Rating

This device has a maximum short circuit current rating of 100,000 amps RMS symmetrical at 240 Volts ~. The actual short circuit current rating is limited to the interrupting capacity of the circuit breaker installed. Replacement breakers must be manufactured by Siemens and must be of the correct type and rating as indicated in the table below. Use of other circuit breakers in this device will void the warranty.

Breaker Type	Rating
JXD2-A, JXD6-A	65k AIC
HJXD6-A	100k AIC

USE ONLY NON-INTERCHANGEABLE TRIP BREAKER TYPES

See adjacent labels for additional marking information. **49311193**

Siemens Industry, Inc. Norcross, Georgia U.S.A. **D** 409000840101 Rev.B

© The National Electrical Code is a registered trademark of the National Fire Protection Association. © 2009 Copyright Siemens Industry, Inc.

SIEMENS

Siemens Accessories

Hub Cover Plate EC56933S
 GND Bar Kit ECLX069M
 Breaker Lug Kit (factory installed) . LK32500 (kit includes 3 lugs)
 Alternate Breaker Lug Kit LK31750 - (1) 500-750 kcmil, Torque 500 lb.-in.
 (kit includes 4 lugs)
 Lug Landing Pad*. LLP600 (lugs ordered separately)
 UNDERGROUND USE ONLY

*Kit contains mounting instructions and NEMA stud pattern for use with mechanical and compression lugs. See table below for recommended lugs.

Connect Modules Using:

Cat. No.	Torque
Single Bolt Joint SBJ4	400-480 lb-in (35-40 ft.-lb.)
Quick Connect QC4	400-440 lb-in (35-36 ft.-lb.)

Lugs for Phase and Neutral Connections (not supplied)					
NEMA Lug ^①	MFG	Wire Range	Type	No. Wires per phase	Torque (lb.-in.)
LK31600N2	Siemens	#2-600 kcmil	Mechanical	1	375
LK32350N2	Siemens	#6-350 kcmil	Mechanical	2	275
2ACL-600	ILSCO	600 kcmil	Compression	1	NA ②
2ACL-350	ILSCO	350 kcmil	Compression	2	NA ②

① Order one mechanical lug kit for main breaker and neutral conversions. Contact lug manufacturer for compression lug quantities supplied for each kit.

② See lug manufacturer's instruction sheet supplied with the connector for tool, die, and number of crimps.

IMPORTANT - for use with:

Module	Siemens Series#	Murray Series#
Main Breakers	(W)MC, WB, WEB	DB_W
Switches	WMP, WMS, WS, WES	DPT_W, DT_W
Tap/Terminal Boxes	WMTB, WTB, WET	DTB_W
Pull Boxes	WMMB, WPB, WAPB	DPB_W
Meter Module	WMM, WxMM, WMT, WML, WMK	DG_W, DC_W, DL_W
Extension Box	WMEX, WSP	DS
Bussed Elbow	(W)BE	DL

Use HD Type Hubs if required

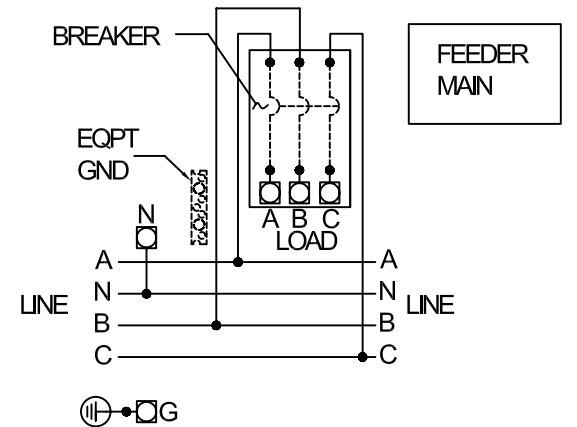
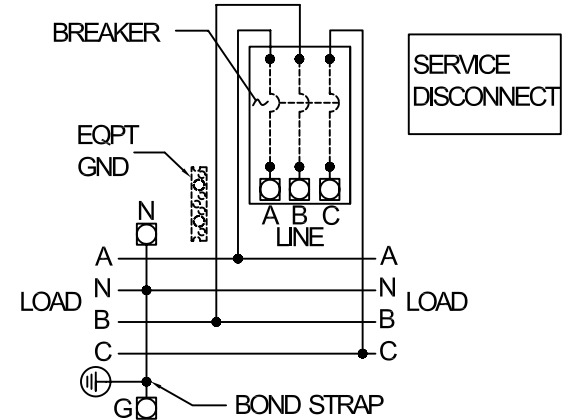
Trade Size (in)	Catalog No.
2"	EC56854
2-1/2"	EC56855
3"	EC56856
3-1/2"	EC56857
4"	EC56858

Equipment Ground Bars	
Small Terminals	Large Terminals
Wire Range / Torque	Wire Range / Torque
10-14 AWG . . . 20 lb-in	10-14 AWG . . . 35 lb-in
8 AWG 25 lb-in	8 AWG 40 lb-in
6 AWG 35 lb-in	1/0-6 AWG . . . 45 lb-in

Important: Do not allow petroleum based (hydrocarbon) sprays, chemicals, solvents or any paint to contact interior components. Petroleum based chemicals can cause degradation of electrical insulating materials.

Siemens Industry, Inc. Norcross, Georgia U.S.A. **D** 409000840201 Rev.B

© 2009 Copyright Siemens Industry, Inc.



4099956 REV. A